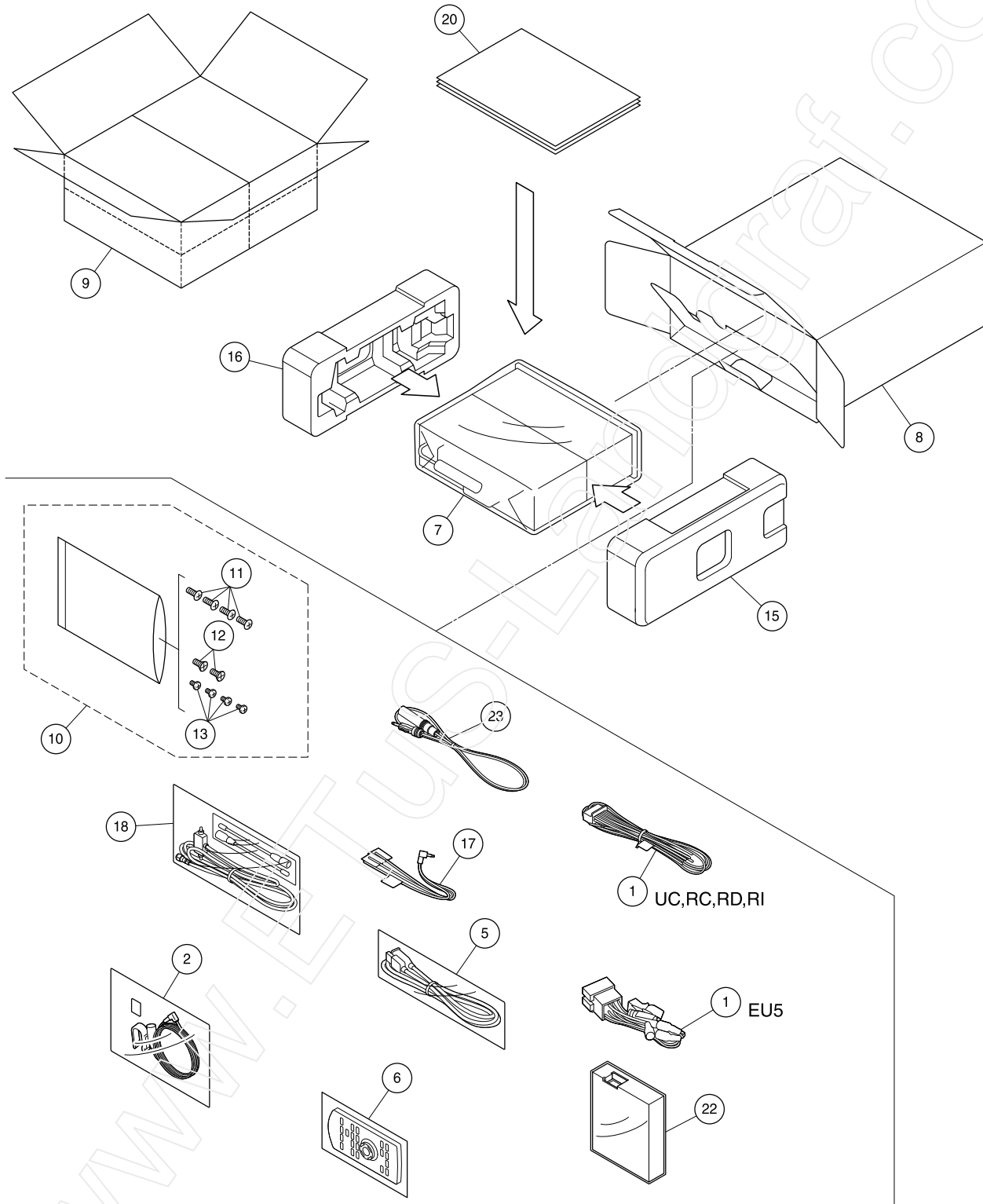


9. EXPLODED VIEWS AND PARTS LIST

NOTES : • Parts marked by "*" are generally unavailable because they are not in our Master Spare Parts List.

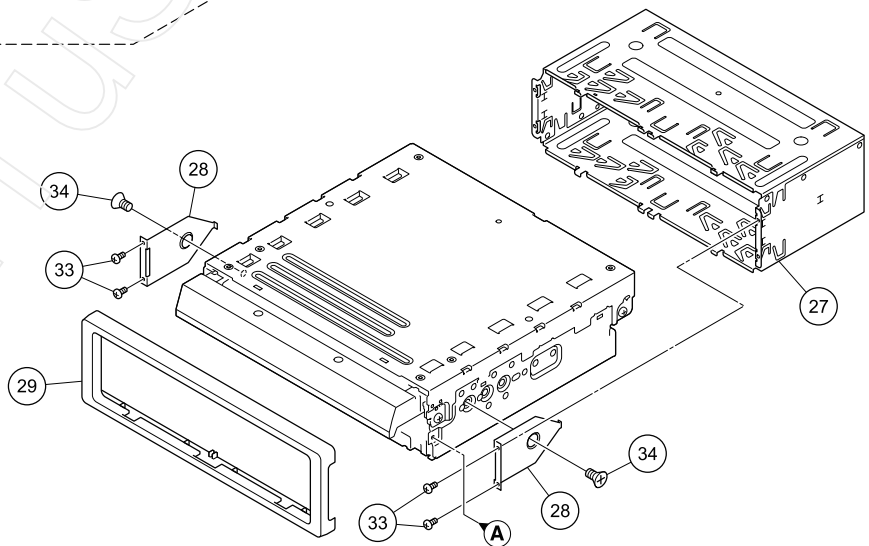
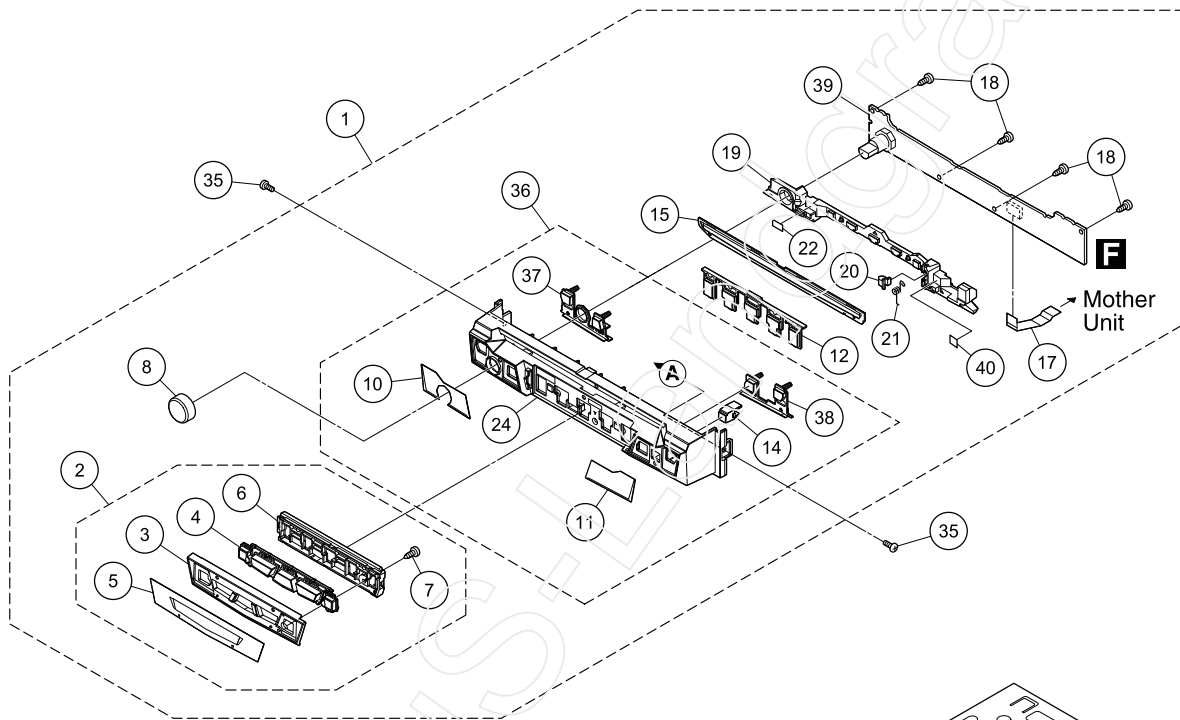
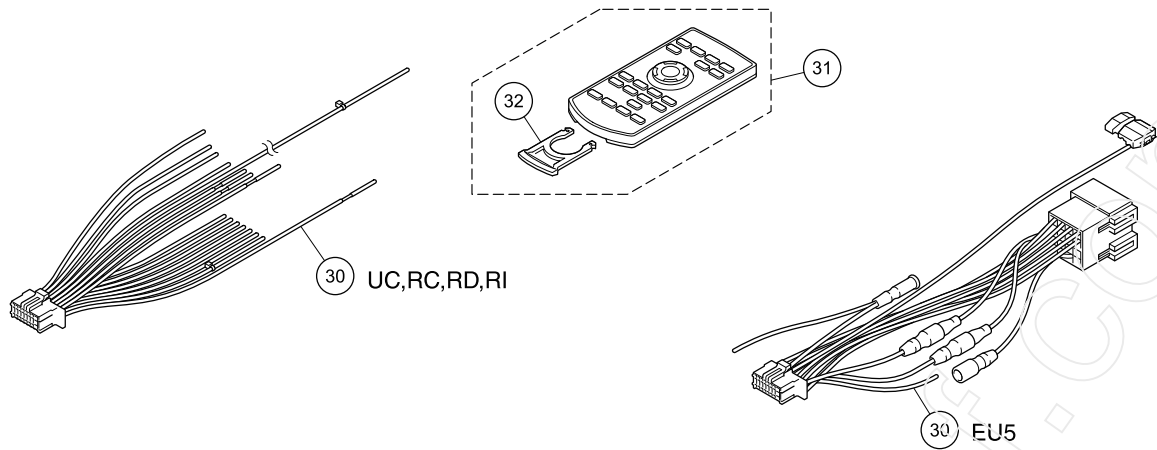
- The \triangle mark found on some component parts indicates the importance of the safety factor of the part. Therefore, when replacing, be sure to use parts of identical designation.
- Screw adjacent to ∇ mark on the product are used for disassembly.
- For the applying amount of lubricants or glue, follow the instructions in this manual. (In the case of no amount instructions, apply as you think it appropriate.)

9.1 PACKING



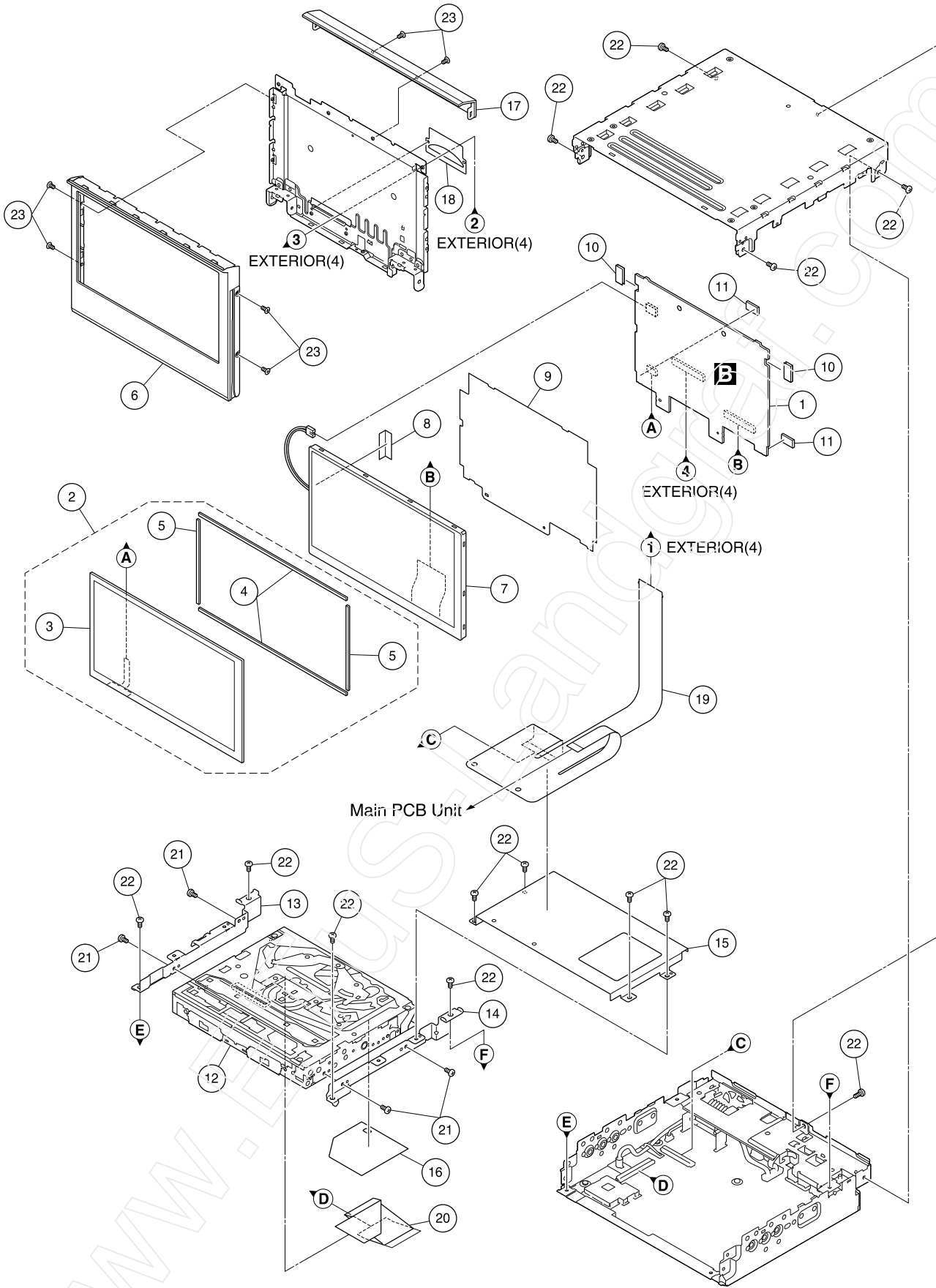
AVH-3500NEX/XNUC

9.2 EXTERIOR (1)



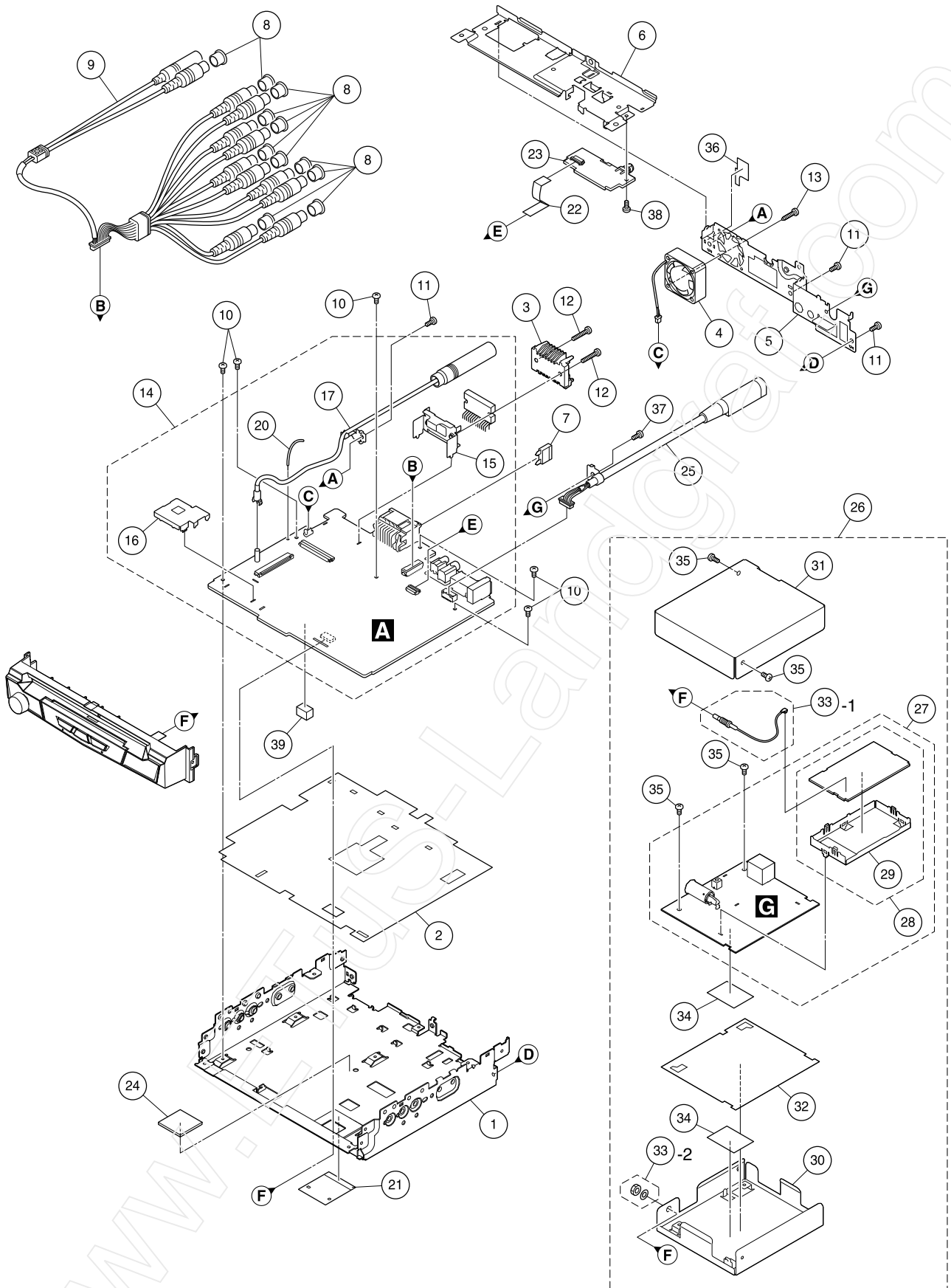
AVH-3500NEX/XNUC

9.3 EXTERIOR (2)



A
B
C
D
E
F

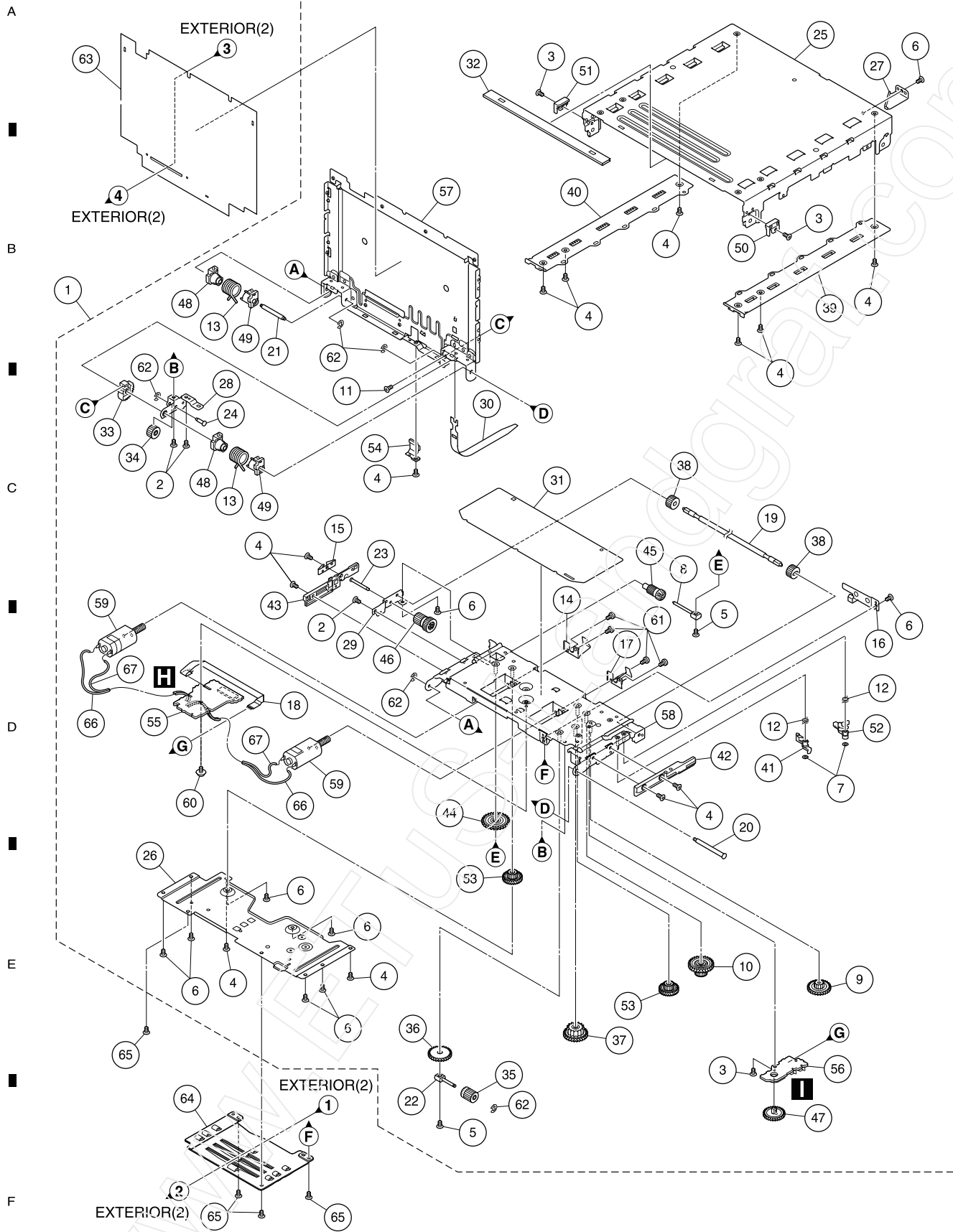
9.4 EXTERIOR (3)



AVH-3500NEX/XNUC

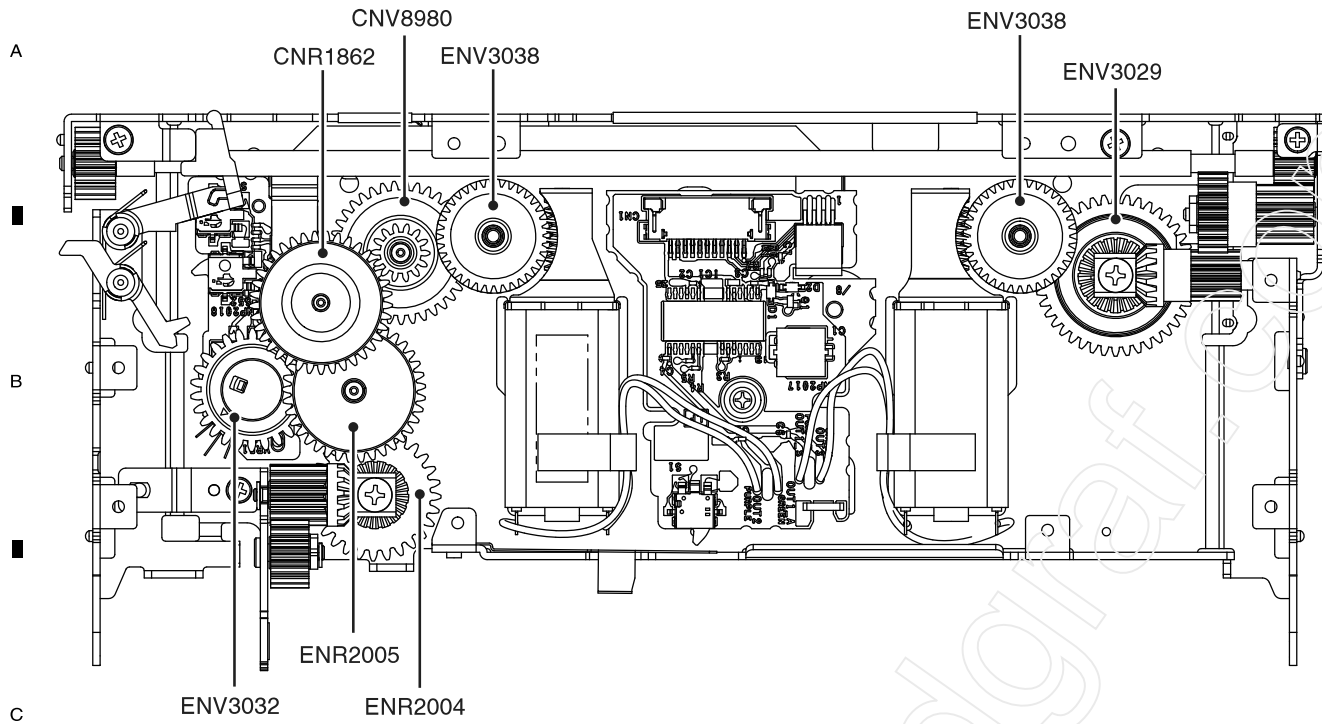
9.5 EXTERIOR (4)

The application position of grease is referred to page 88 and page 89.

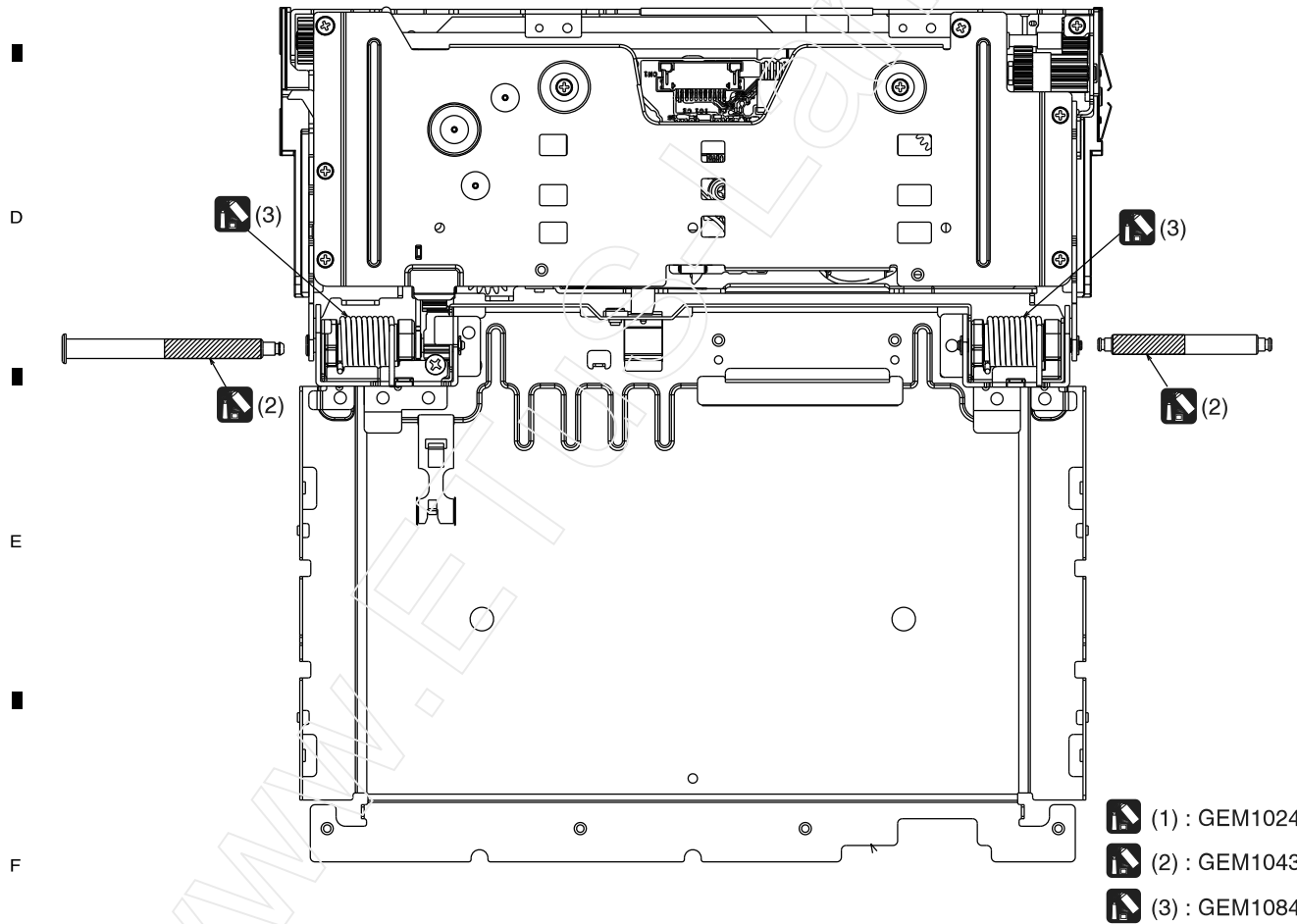


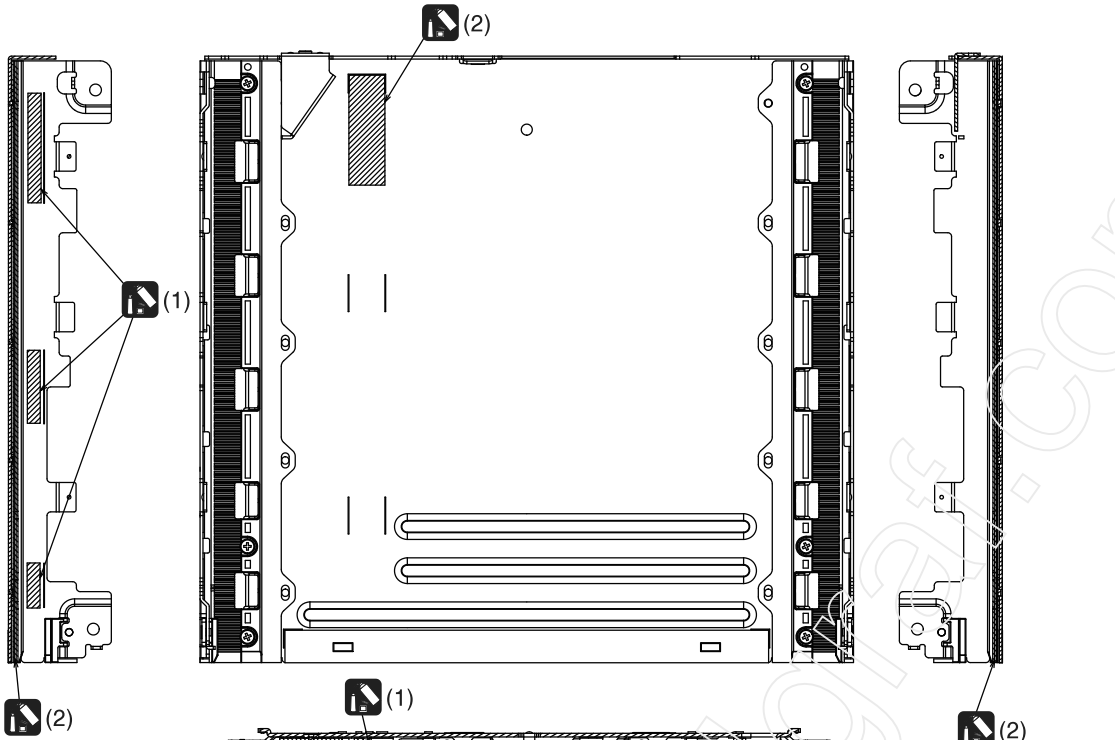
AVH-3500NEX/XNUC

● The gear assembly figure of the Drive Unit

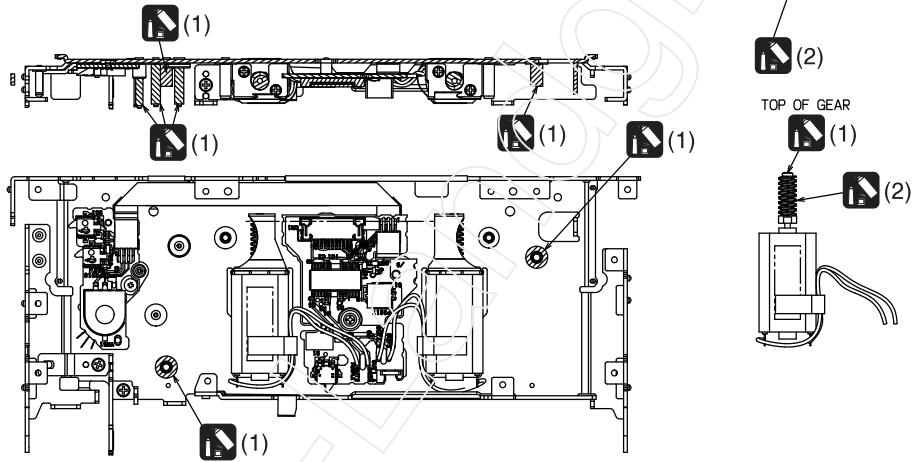


● Grease





- (1) : GEM1024
- (2) : GEM1043

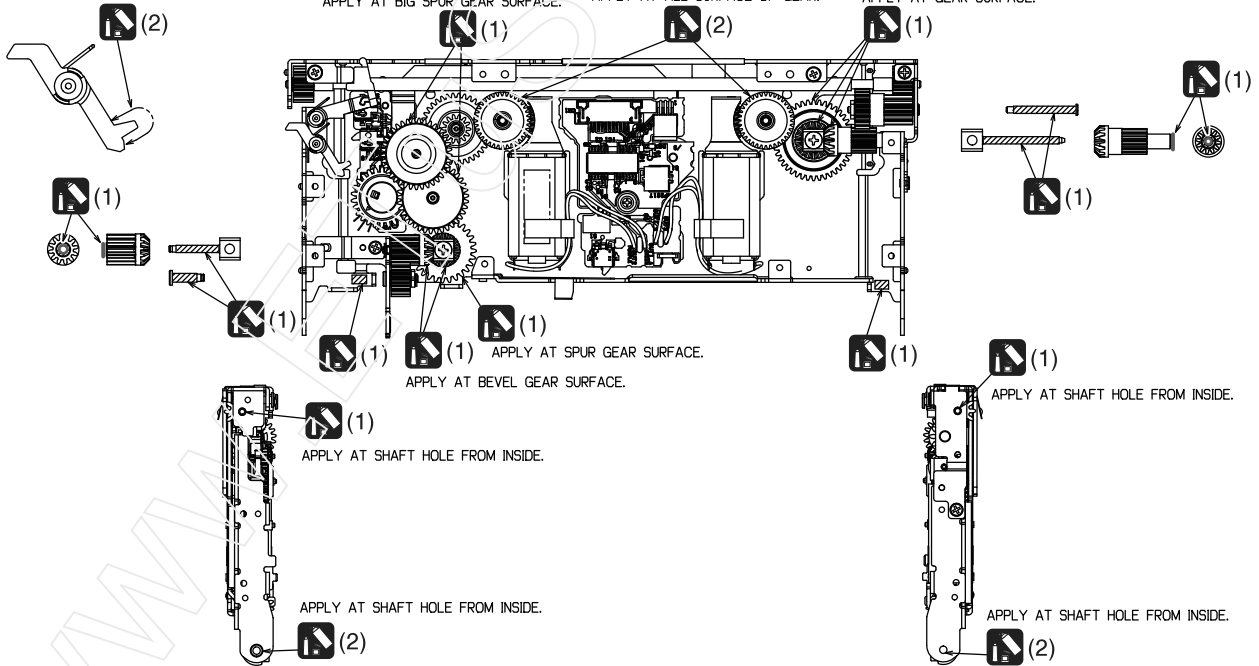


APPLY AT INDICATED SIDE SURFACE.

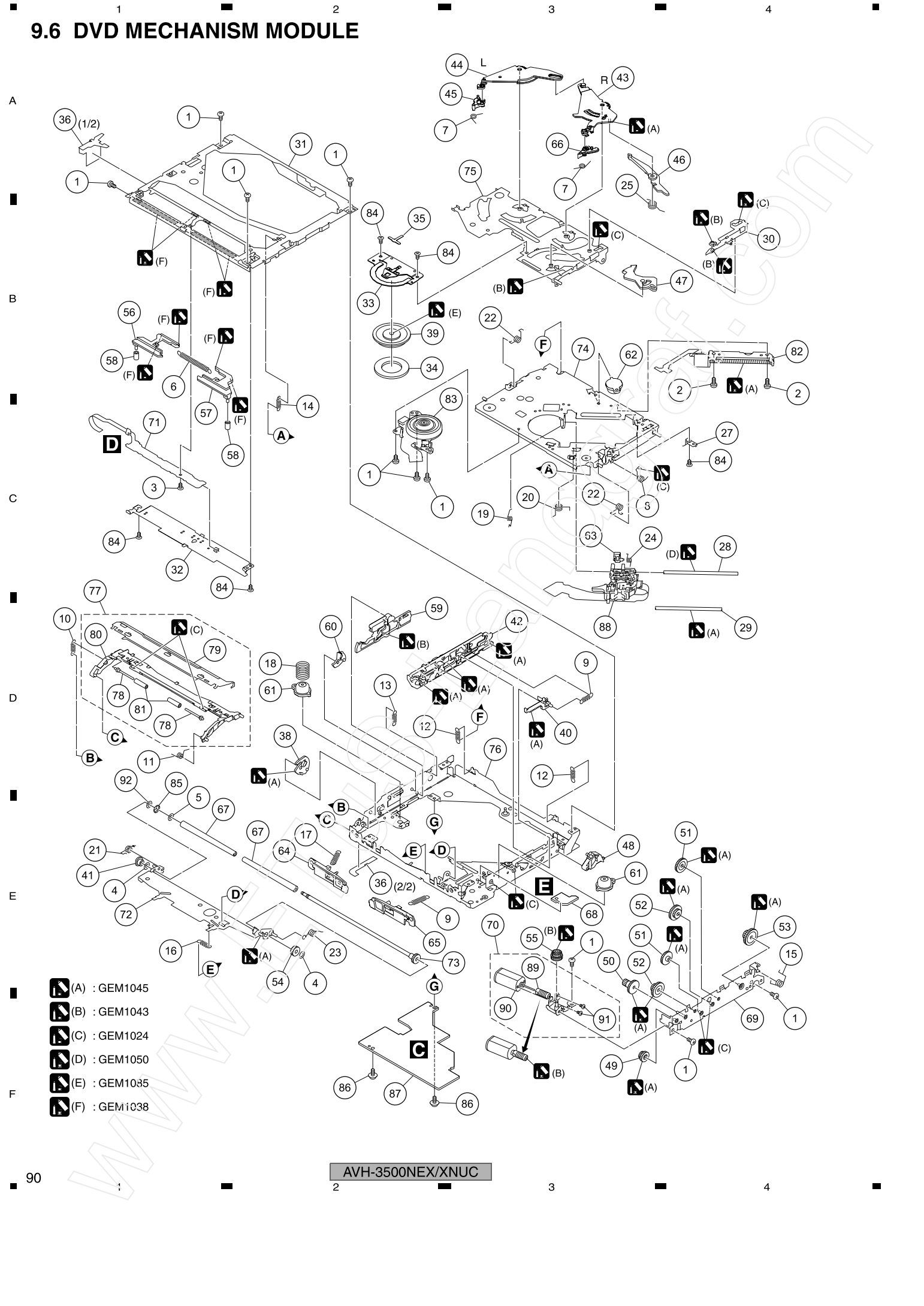
APPLY AT BIG SPUR GEAR SURFACE.

APPLY AT ALL SURFACE OF GEAR.

APPLY AT GEAR SURFACE.



9.6 DVD MECHANISM MODULE



- (A) : GEM1045
- (B) : GEM1043
- (C) : GEM1024
- (D) : GEM1050
- (E) : GEM1035
- (F) : GEM1038

AVH-3500NEX/XNUC