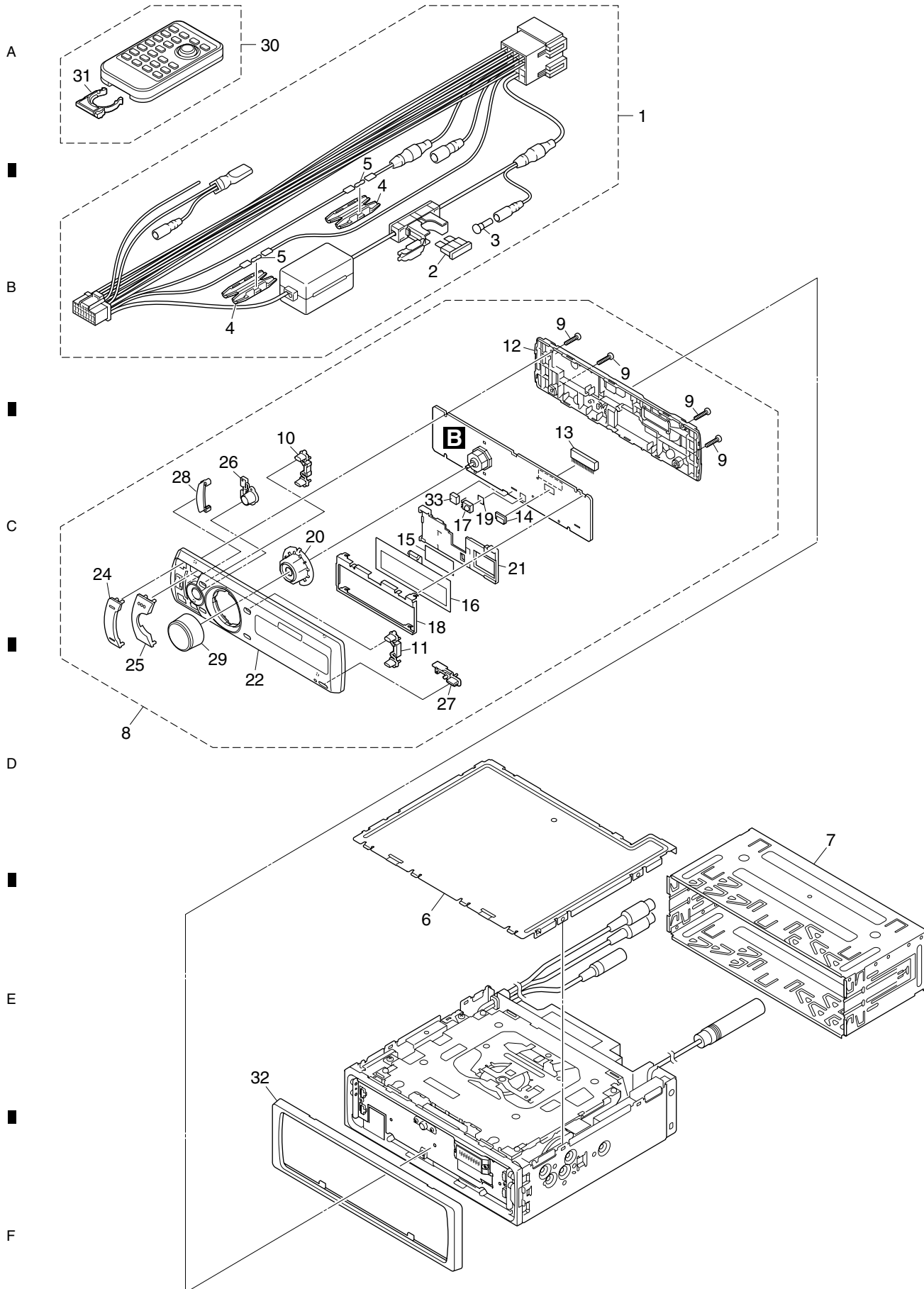


## 2.2 EXTERIOR(1)(DEH-P75BT/XN/EW5)



DEH-P75BT/XN/EW5