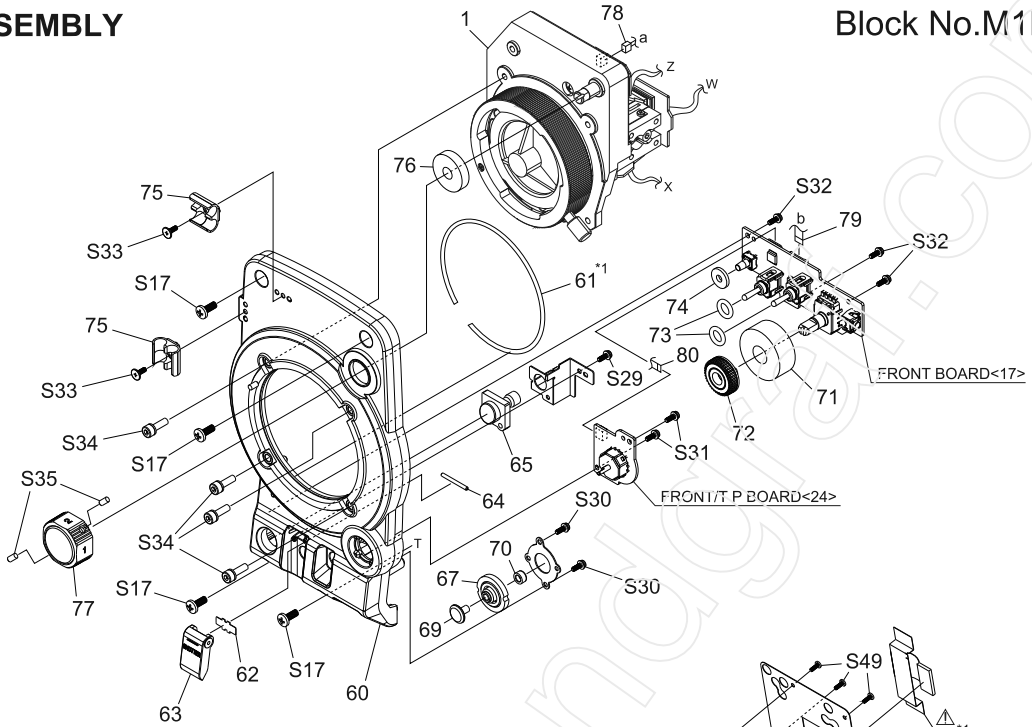


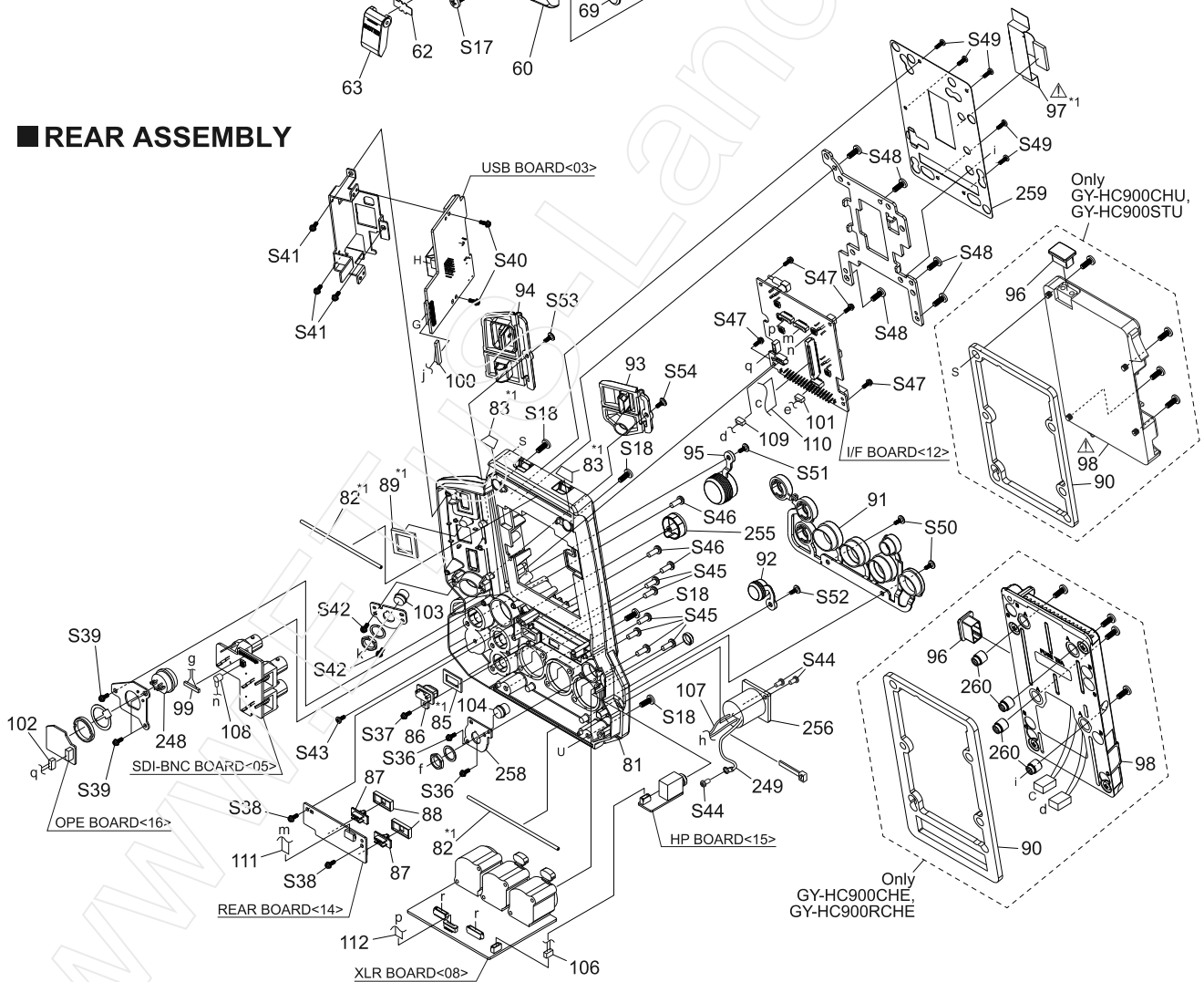
Exploded view of general assembly and parts list

FRONT ASSEMBLY

Block No.M1MM



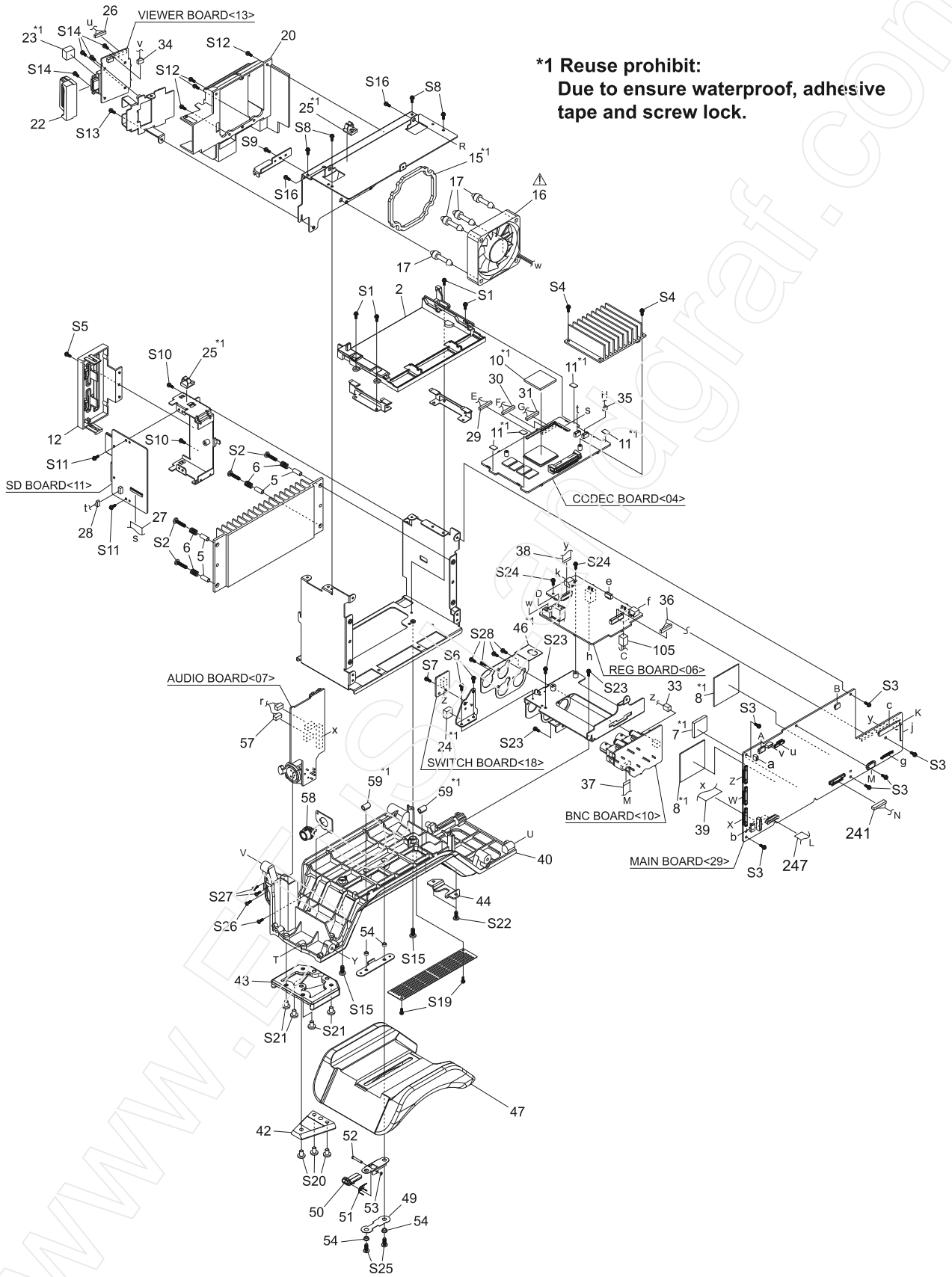
REAR ASSEMBLY



*1 Reuse prohibit:

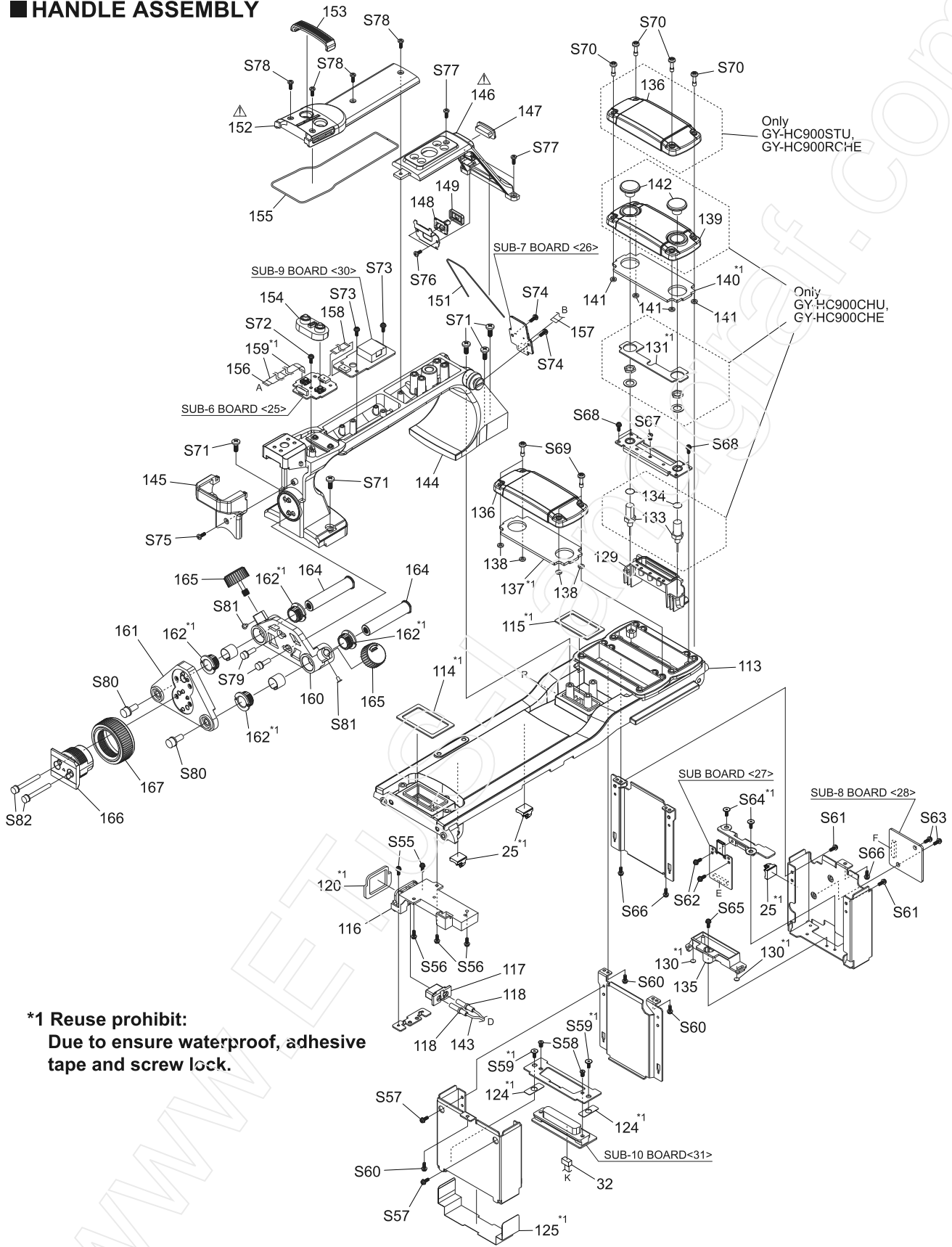
Due to ensure waterproof, adhesive tape and screw lock.

CENTER ASSEMBLY



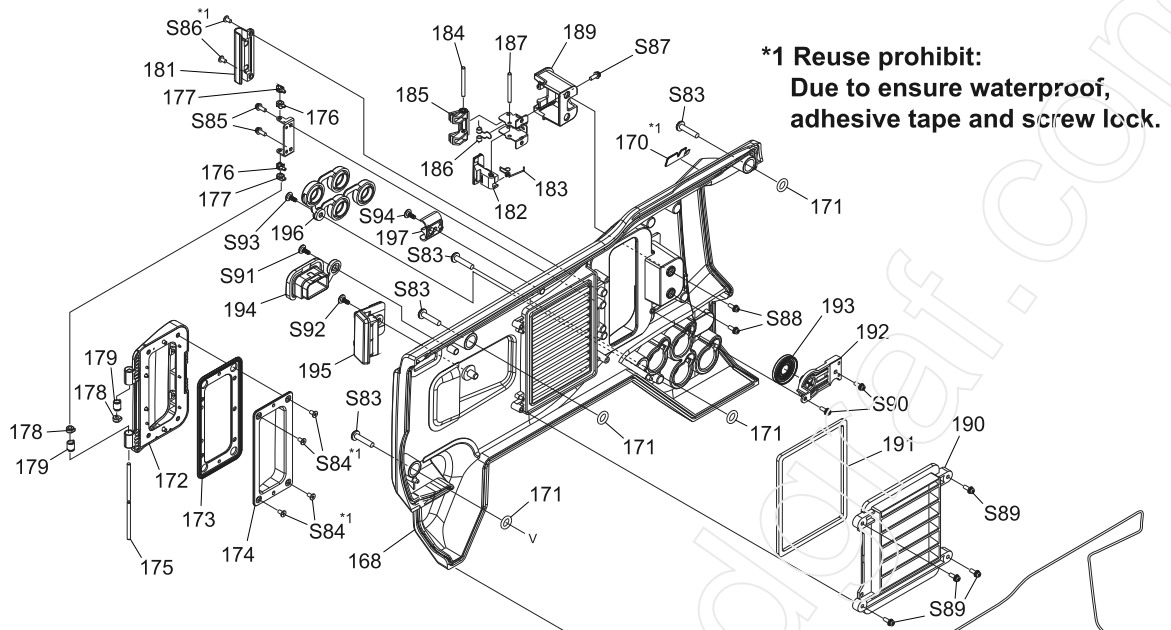
***1 Reuse prohibit:**
Due to ensure waterproof, adhesive
tape and screw lock.

■ HANDLE ASSEMBLY



***1 Reuse prohibit:**
Due to ensure waterproof, adhesive
tape and screw lock.

■ L SIDE ASSEMBLY



■ R SIDE ASSEMBLY

