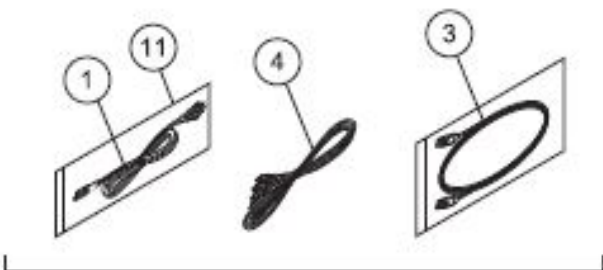
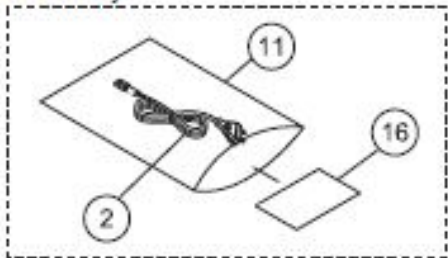
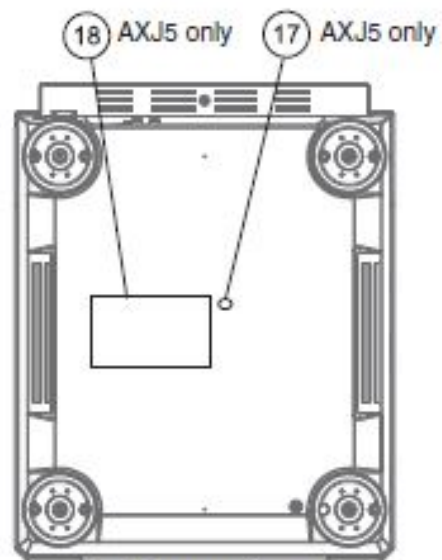
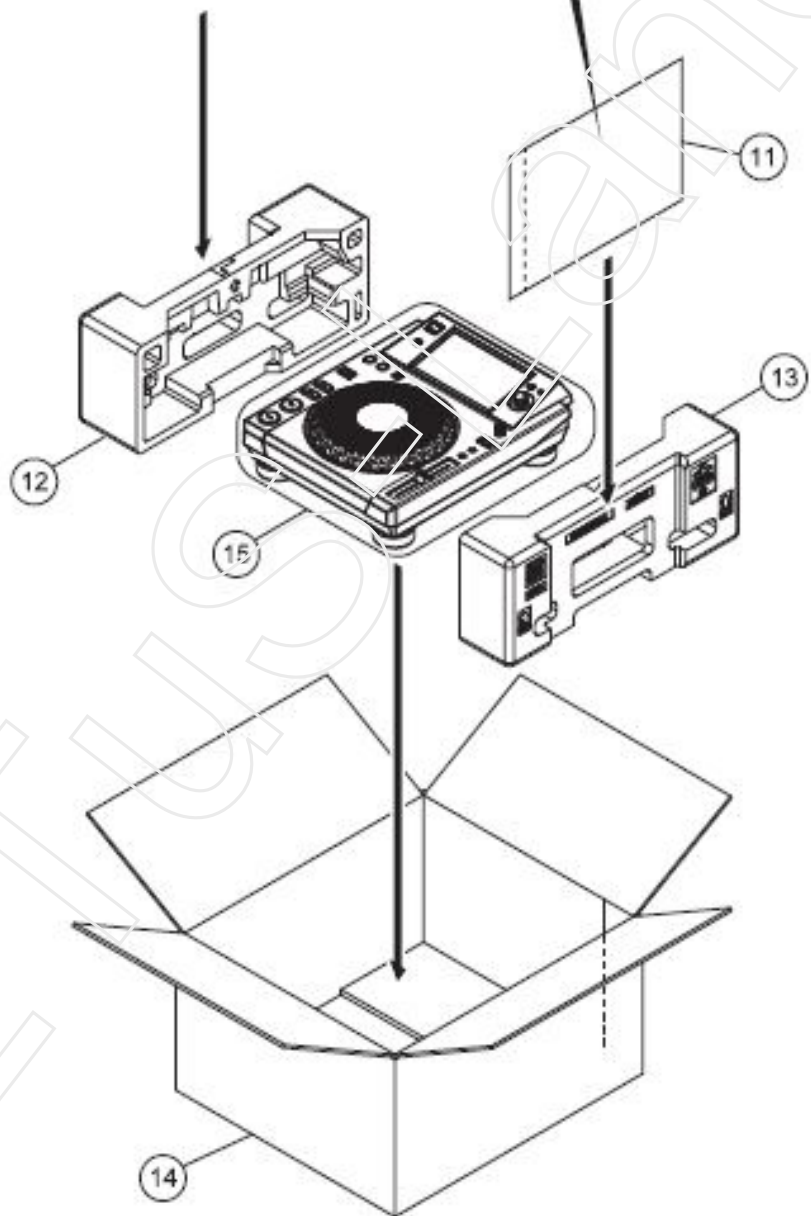
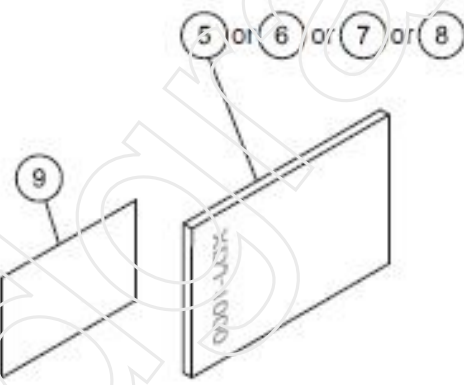
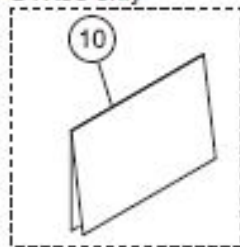


9.1 PACKING SECTION

FLXJ only



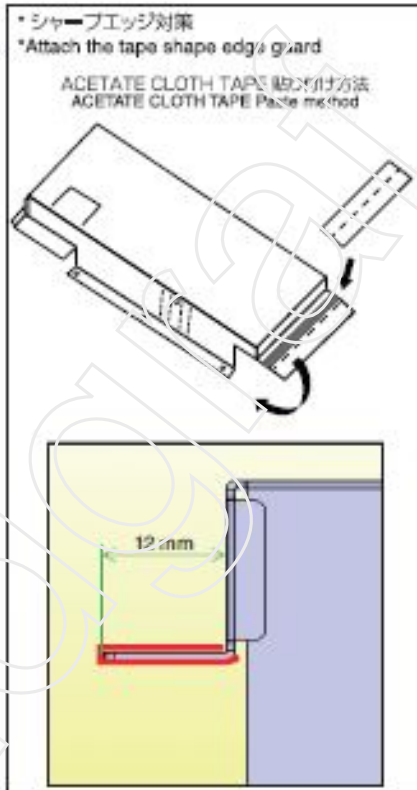
SYXJ8 only



• Bottom view

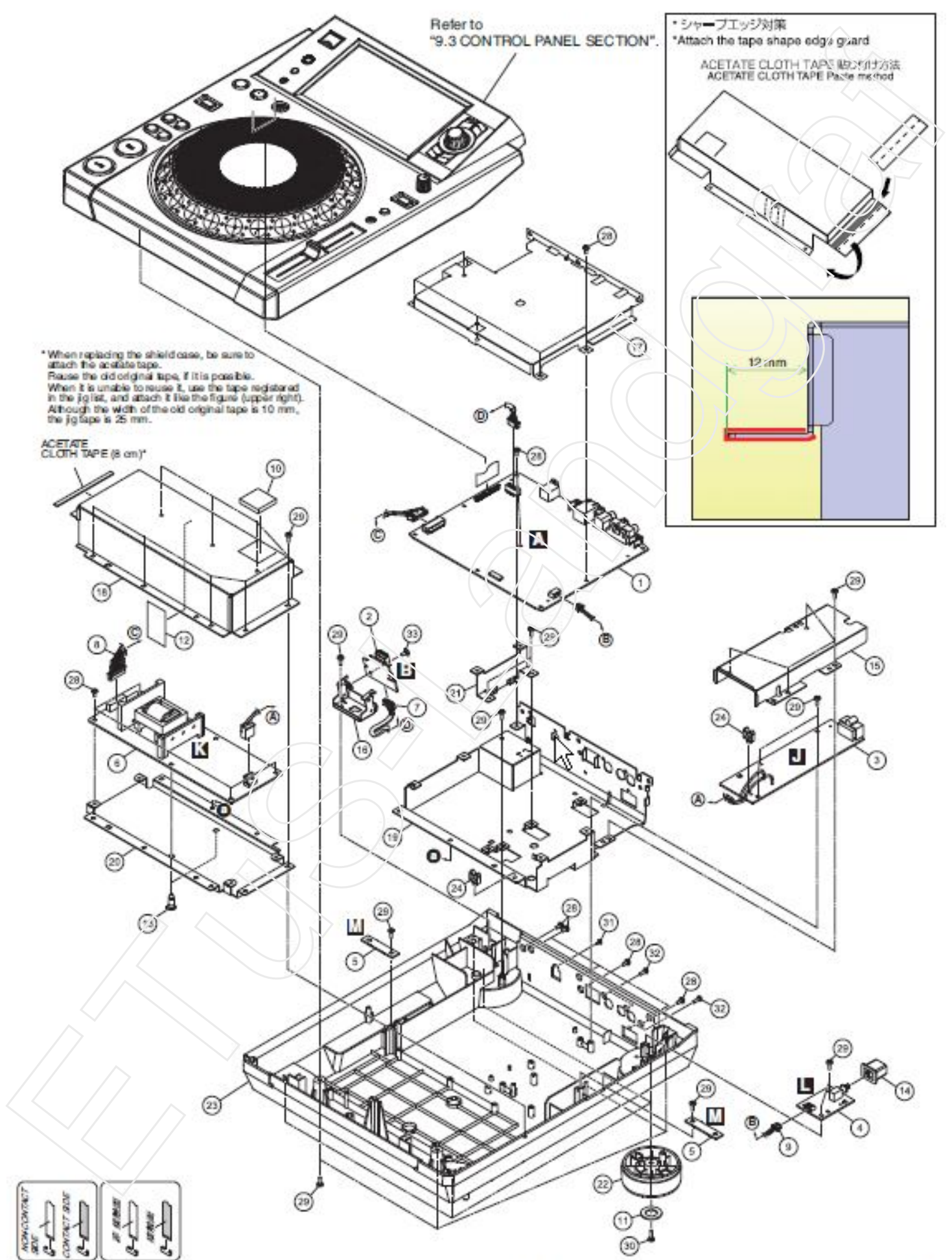
9.2 EXTERIOR SECTION

Refer to
"9.3 CONTROL PANEL SECTION".



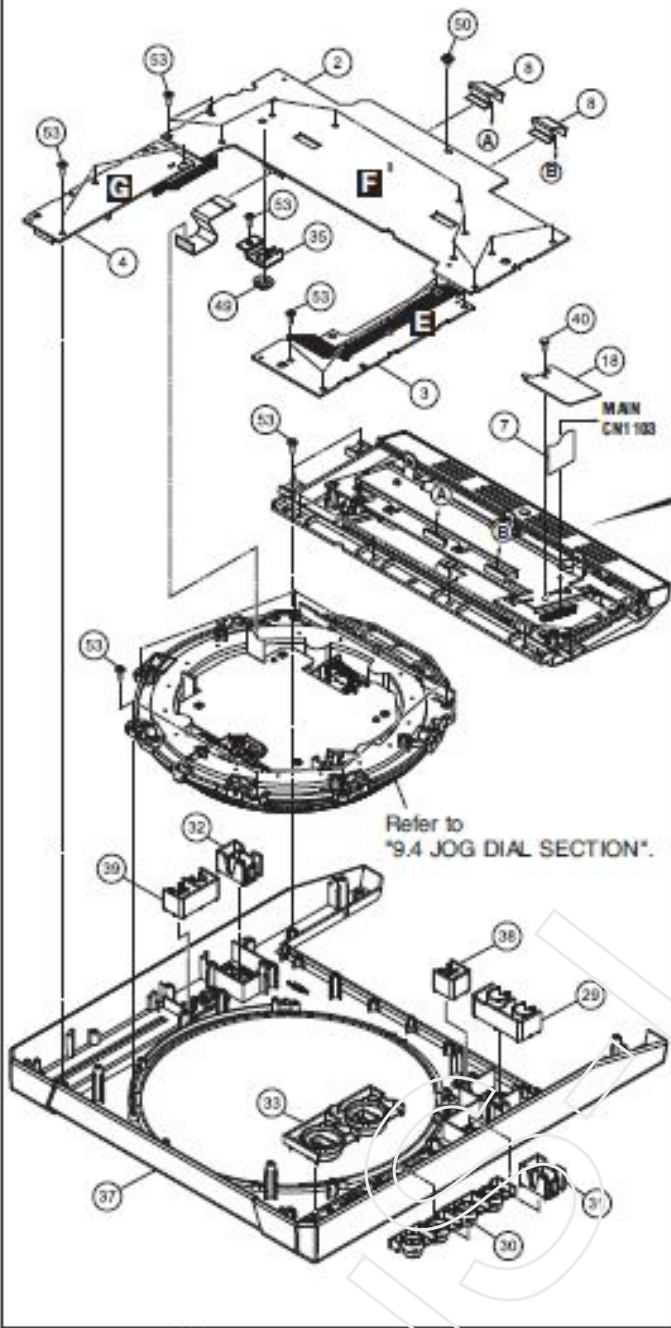
* When replacing the shield case, be sure to attach the acetate tape.
Reuse the old original tape, if it is possible.
When it is unable to reuse it, use the tape registered in the jig list, and attach it like the figure (upper right).
Although the width of the old original tape is 10 mm, the jig tape is 25 mm.

ACETATE CLOTH TAPE (8 cm)*

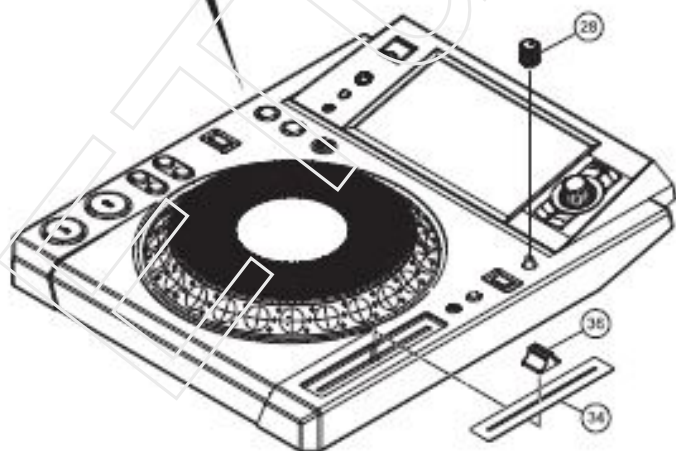
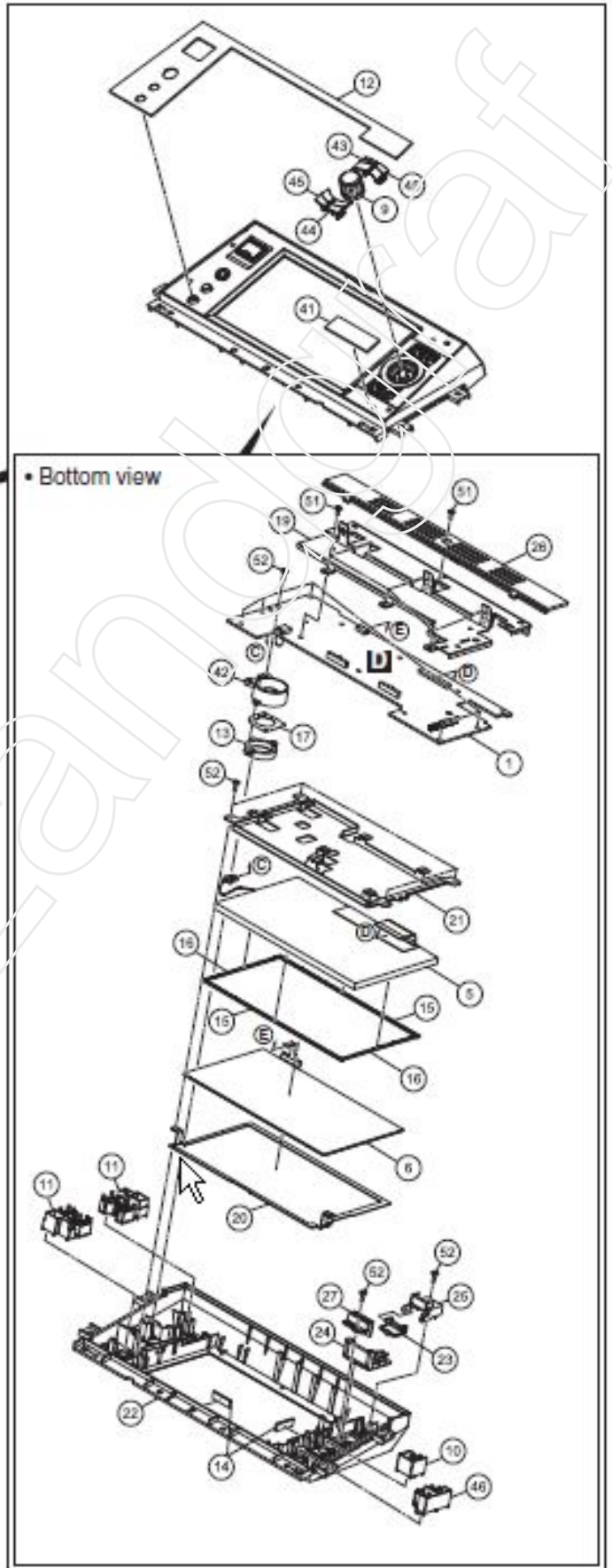


9.3 CONTROL PANEL SECTION

• Bottom view



• Bottom view



9.4 JOG DIAL SECTION

