

< Exteriors of the original / substitute remote controls >

Original



Substitute





### Compatible Remote control Manual English

- This compatible remote control can be used for the following products.  
RS-D7R, RS-D7R II, DEX-P9R, DEX-P90RS
- Refer to this manual together with the owner's manual of the product in use.

· Button name and Comparison Table(Fig.3,4)

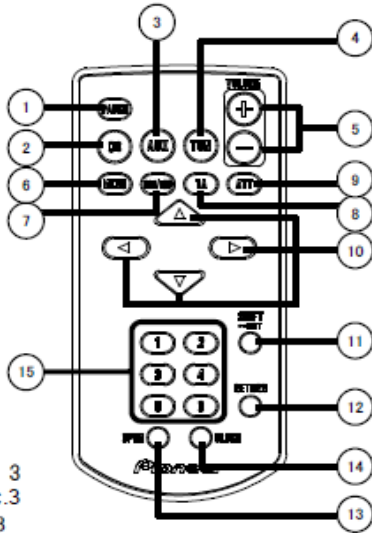


Fig. 3  
Рис.3  
图.3

| Compatible Remote control (Fig.3) | Original Remote control (Fig.4) |
|-----------------------------------|---------------------------------|
| ① PAUSE button(Available)         | Not available                   |
| ② CD button                       | ←                               |
| ③ AUX button                      | ←                               |
| ④ TUNER button                    | ←                               |
| ⑤ VOLUME buttons                  | ←                               |
| ⑥ MENU button                     | ←                               |
| ⑦ BAND button                     | ←                               |
| ⑧ TA button                       | ←                               |
| ⑨ ATT button                      | ←                               |
| ⑩ ▲/▼/▶/◀ buttons                 | ←                               |
| ⑪ SHIFT button                    | ←                               |
| ⑫ RETURN button                   | ←                               |
| ⑬ OPEN button※                    | Cover open                      |
| ⑭ CLOSE button※                   | Cover closed                    |
| ⑮ FUNCTION buttons 1 to 6         | ←                               |

※ The cover operation of the original remote control is changed to the button operation of this compatible remote control.

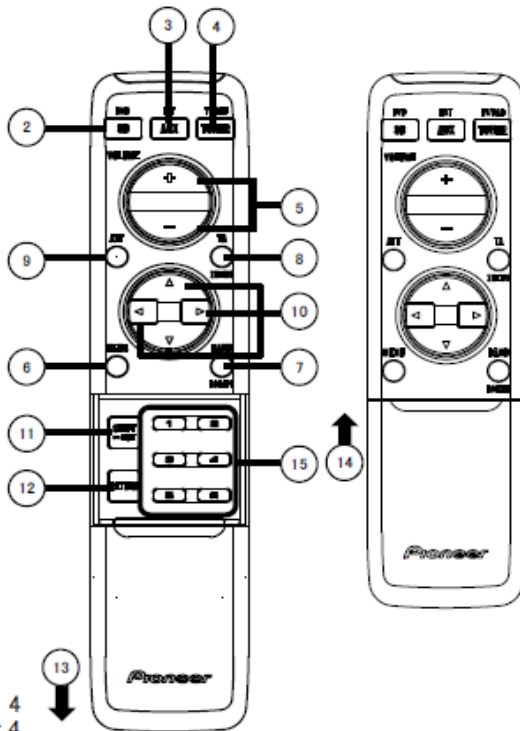


Fig. 4  
Рис.4  
图.4