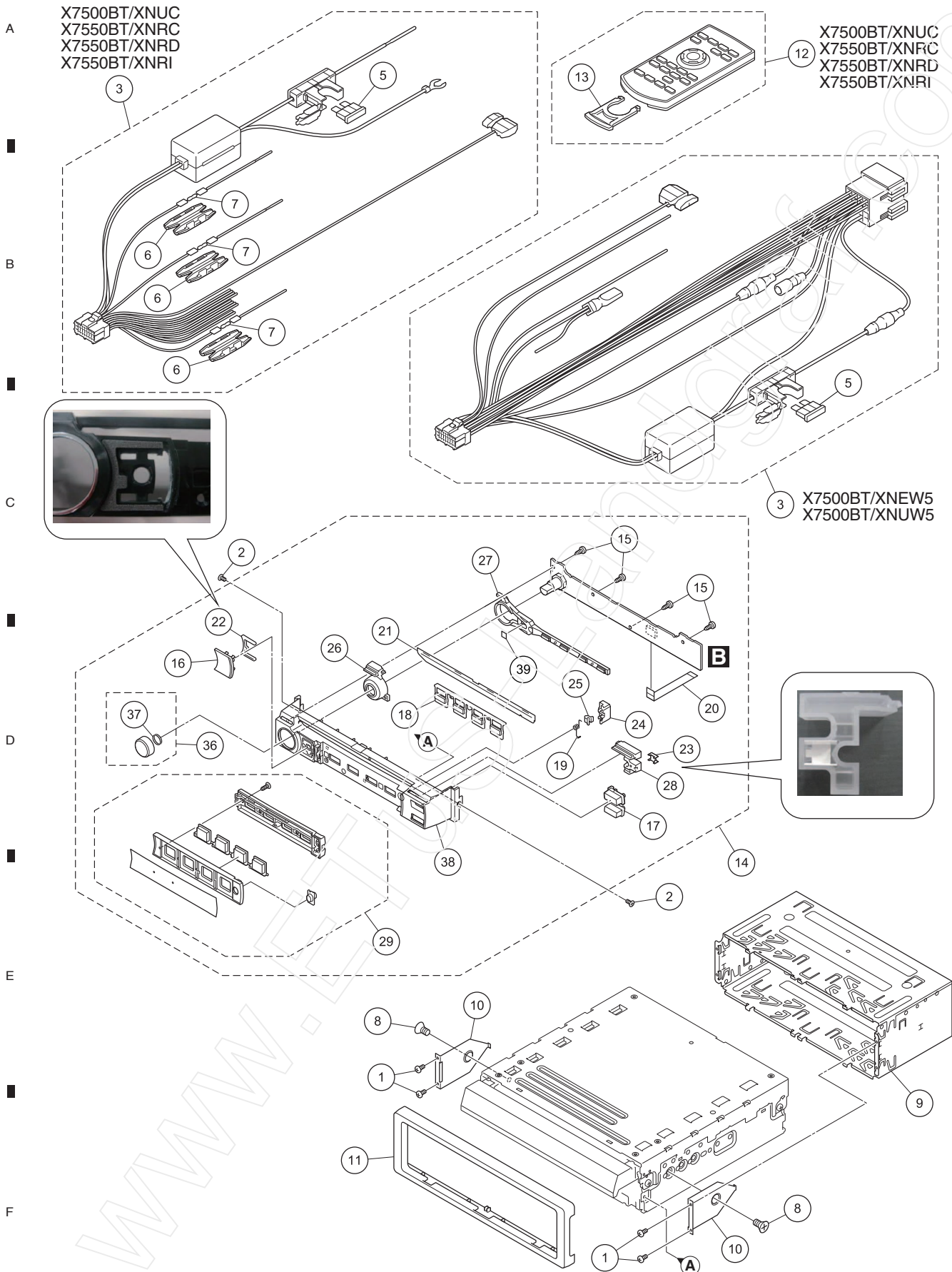
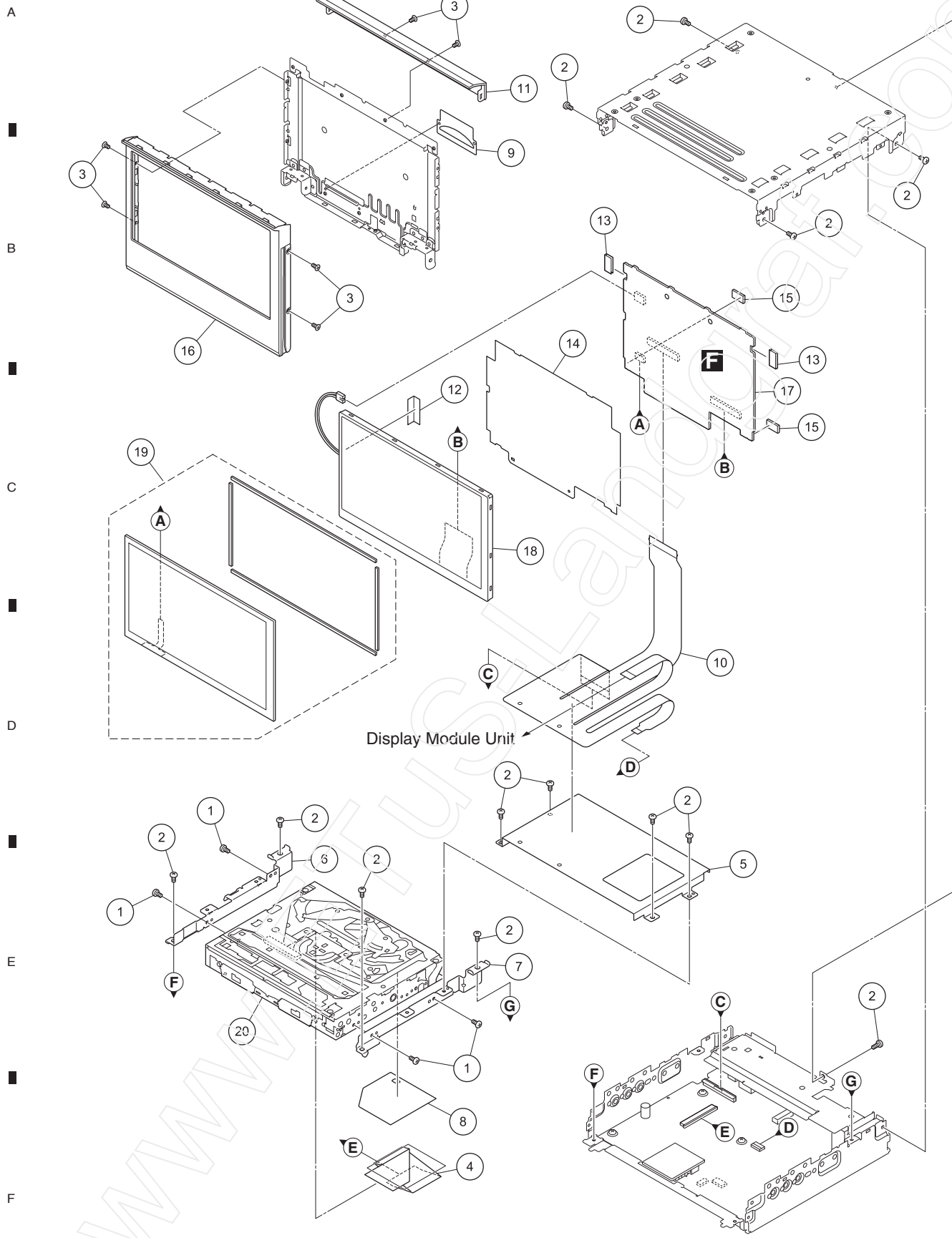


9.2 EXTERIOR (1)



AVH-X7500BT/XNUC

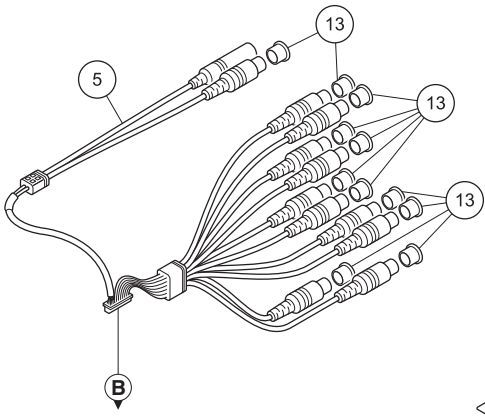
9.3 EXTERIOR (2)



AVH-X7500BT/XNUC

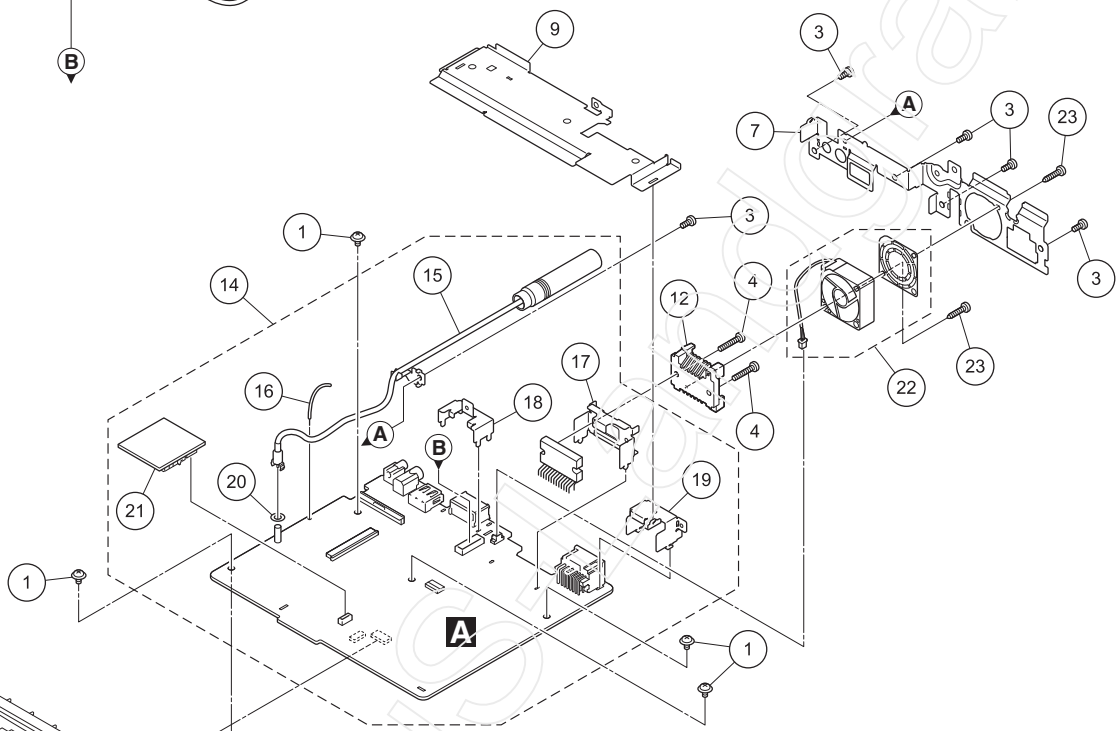
9.4 EXTERIOR (3)

A



B

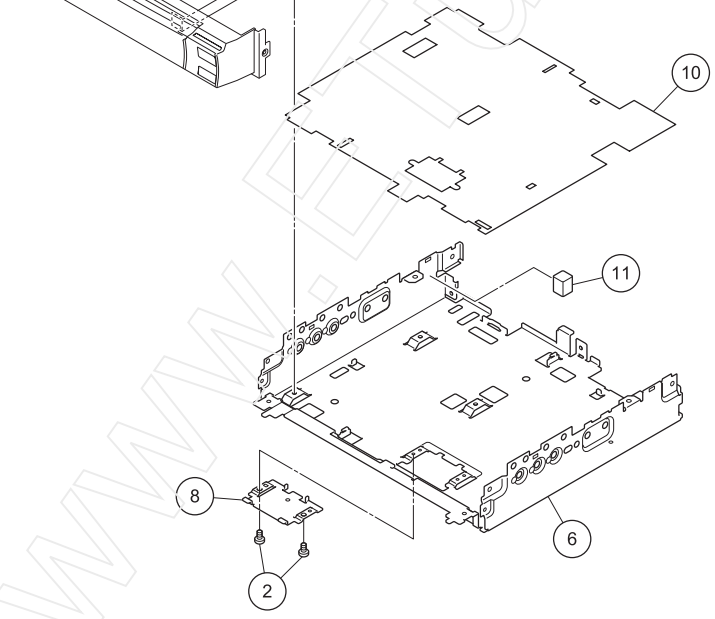
C



D

E

F



9.5 EXTERIOR (4)

The application position of grease is referred to page 114 and page 115.

