

9.2 EXTERIOR (1)

A

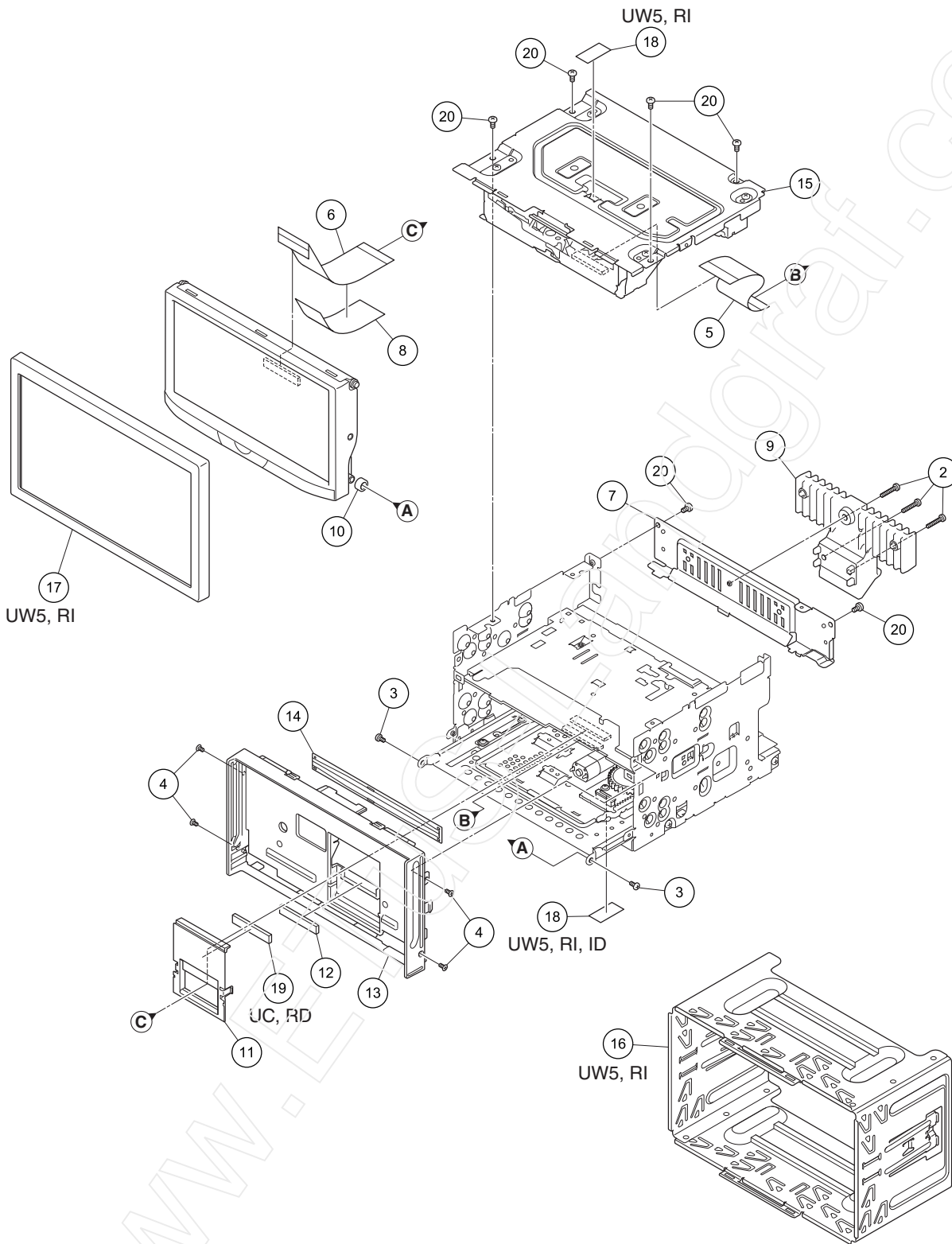
B

C

D

E

F



9.3 EXTERIOR (2)

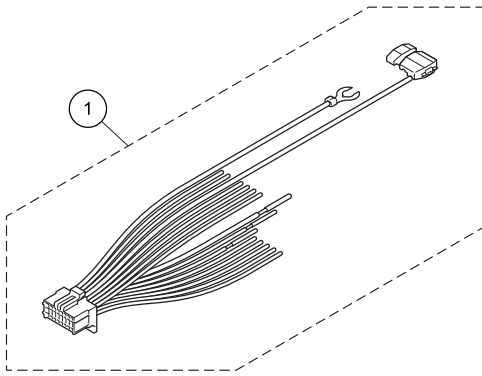
1

2

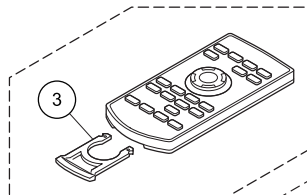
3

4

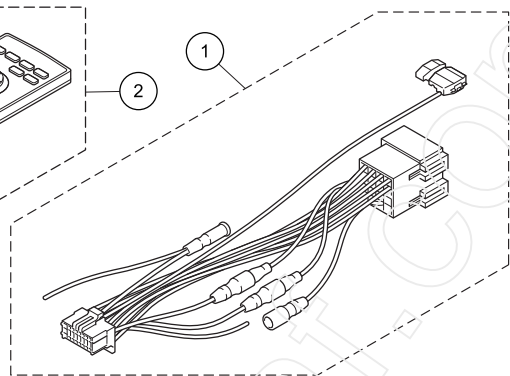
A



UC, RC, RD, RI, ID

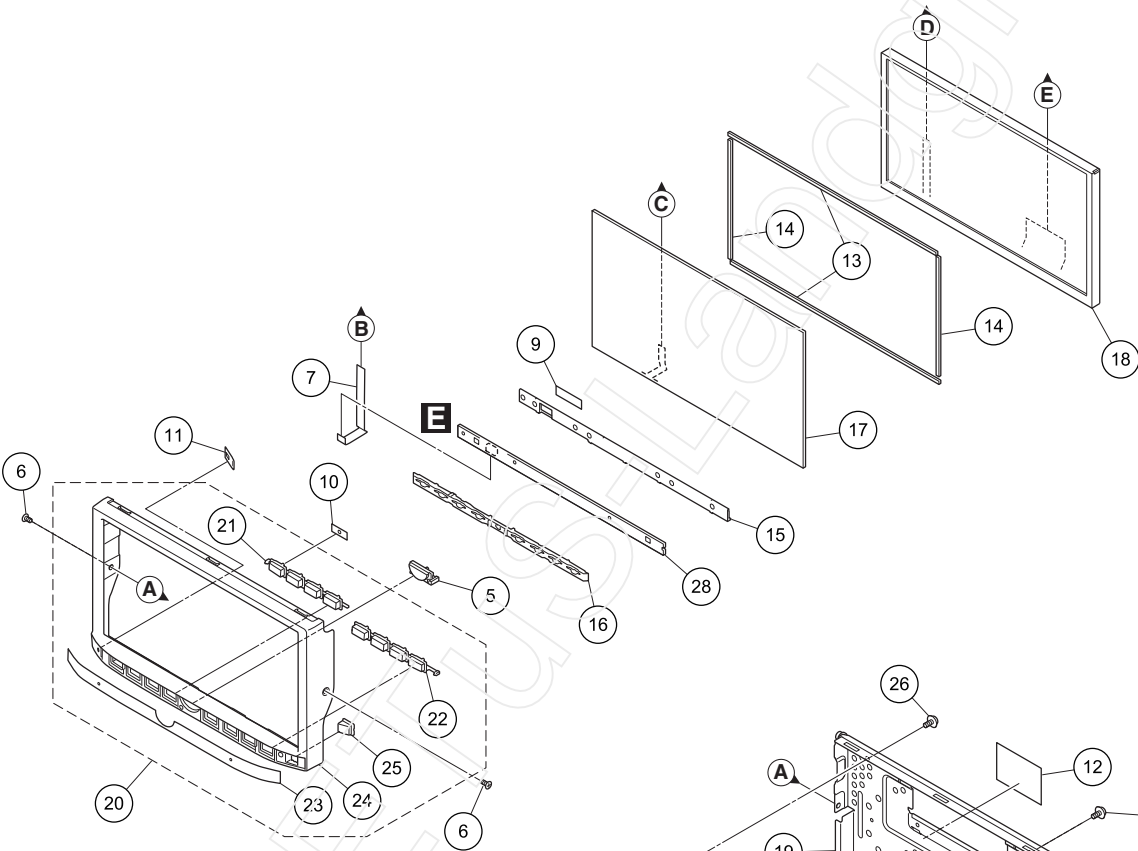


UC, RC, RD, RI, ID



UW5

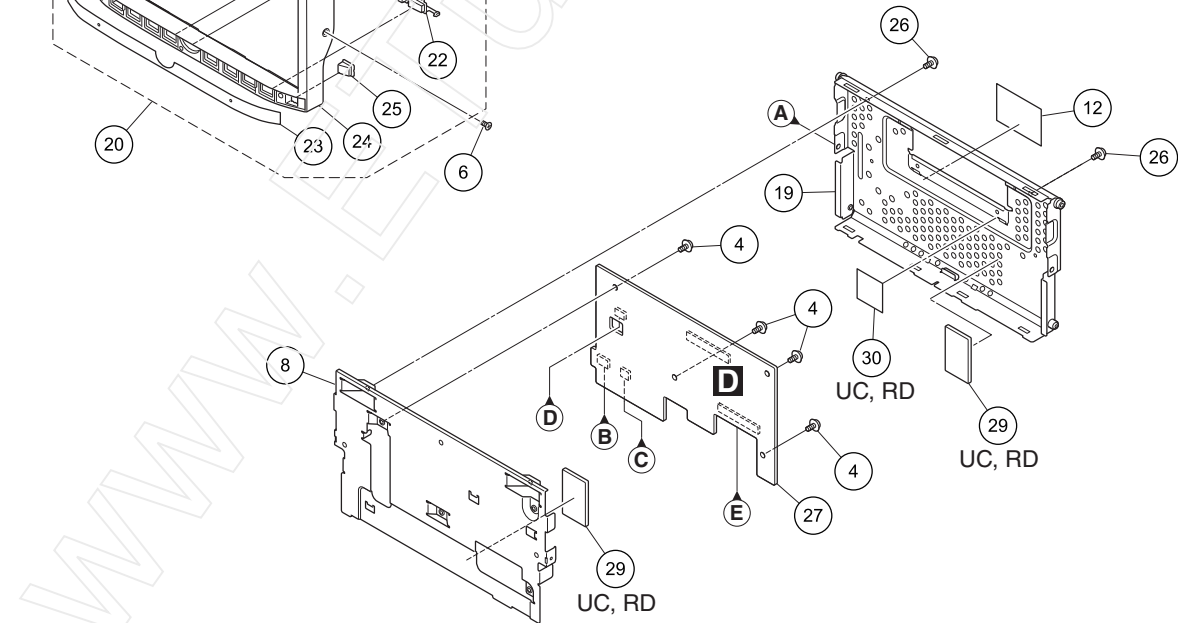
C



D

E

F



AVH-X4500BT/XNUC

1

2

3

4

9.5 DVD MECHANISM MODULE (1)

A

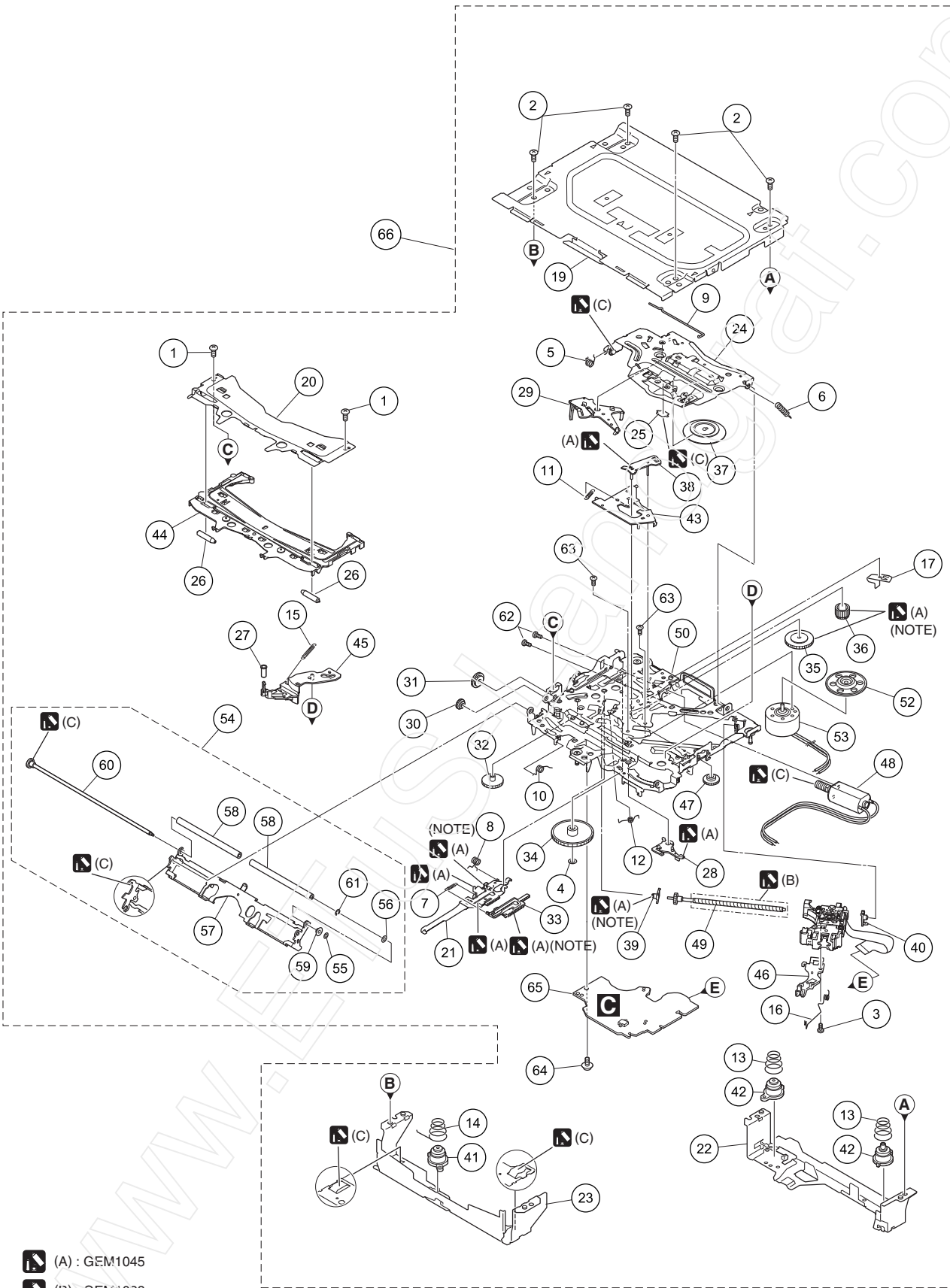
B

C

D

E

F



- (A) : GEM1045
- (B) : GEM1038
- (C) : GEM1024

(NOTE) Apply grease to the whole part.