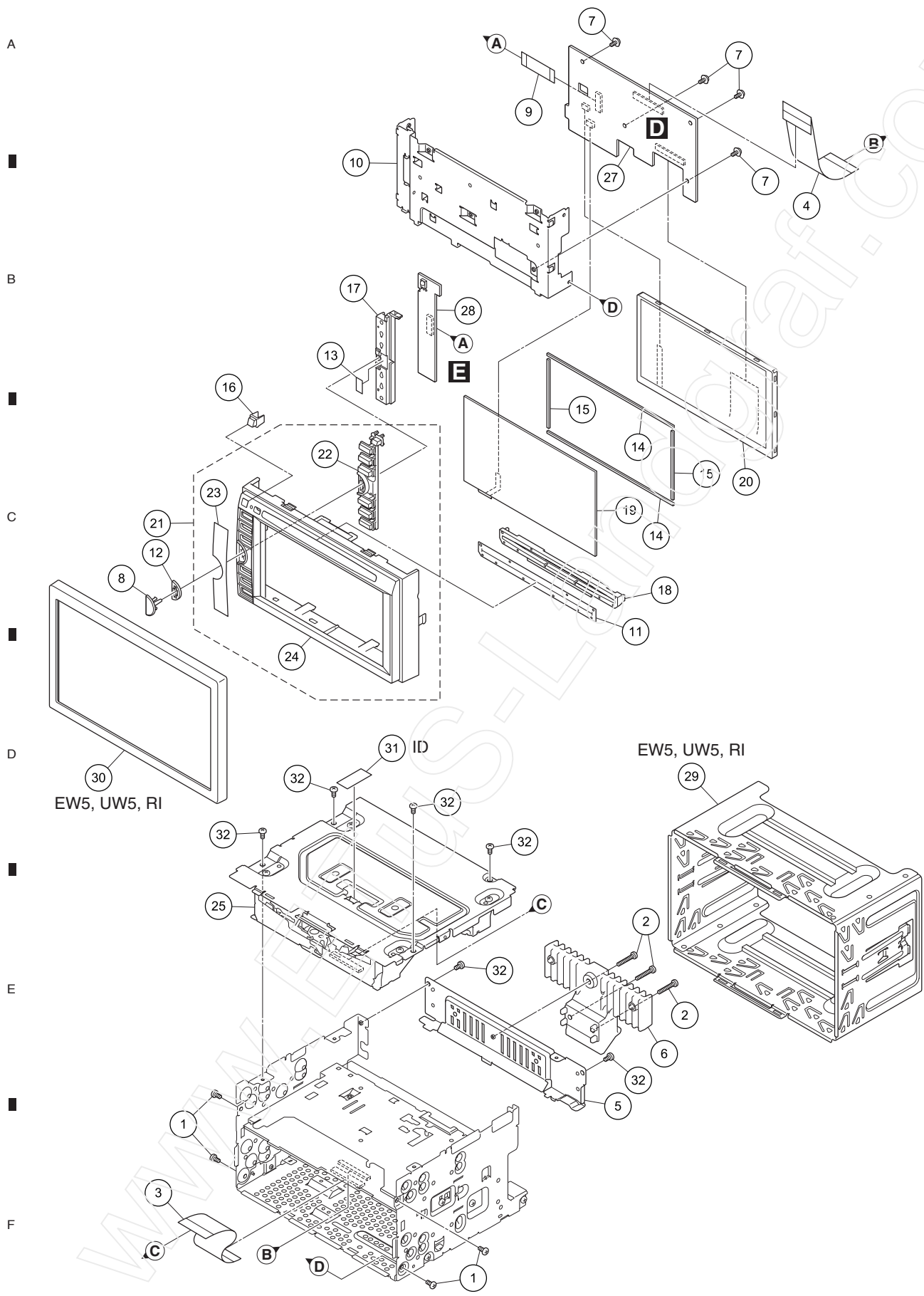
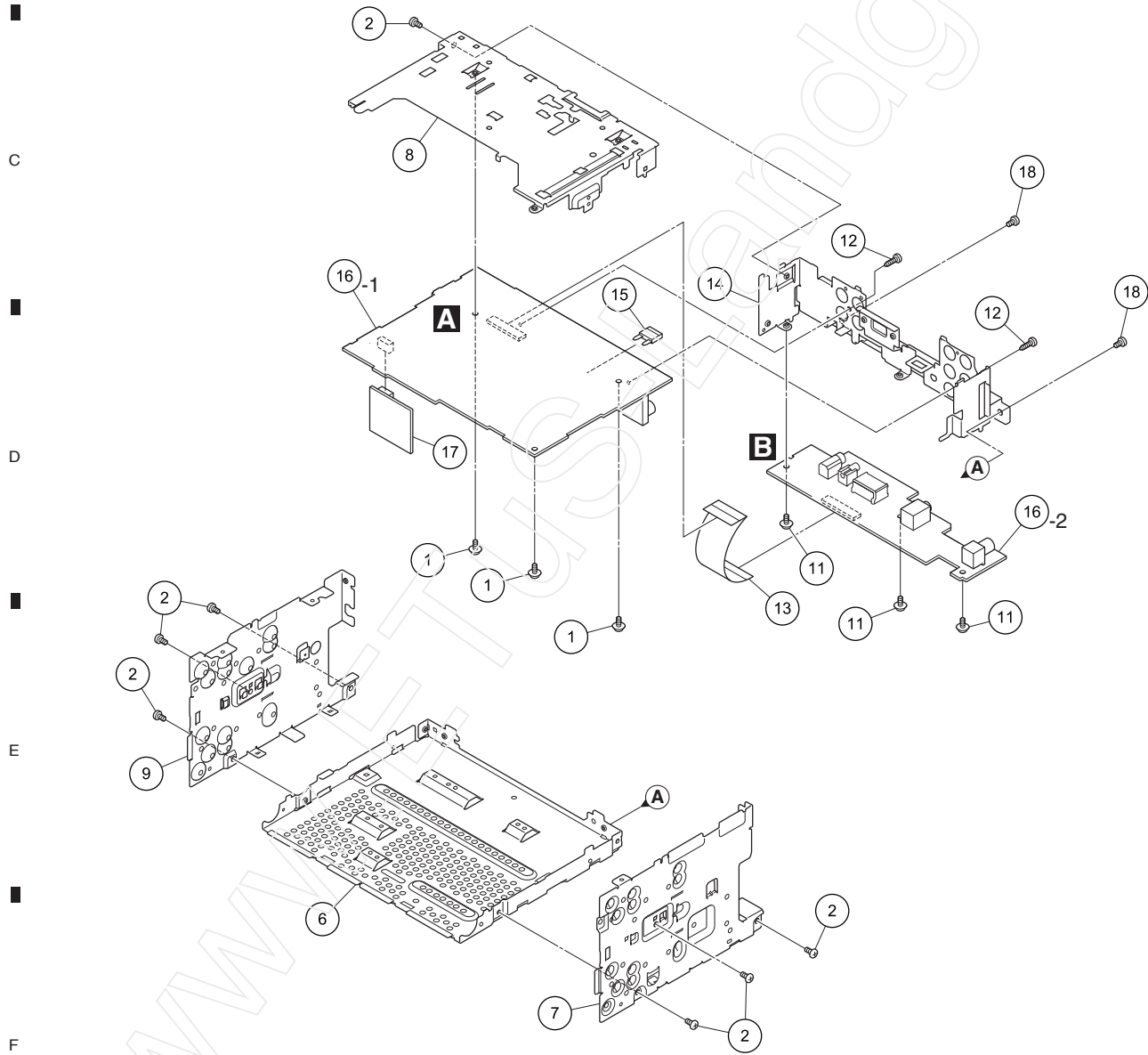
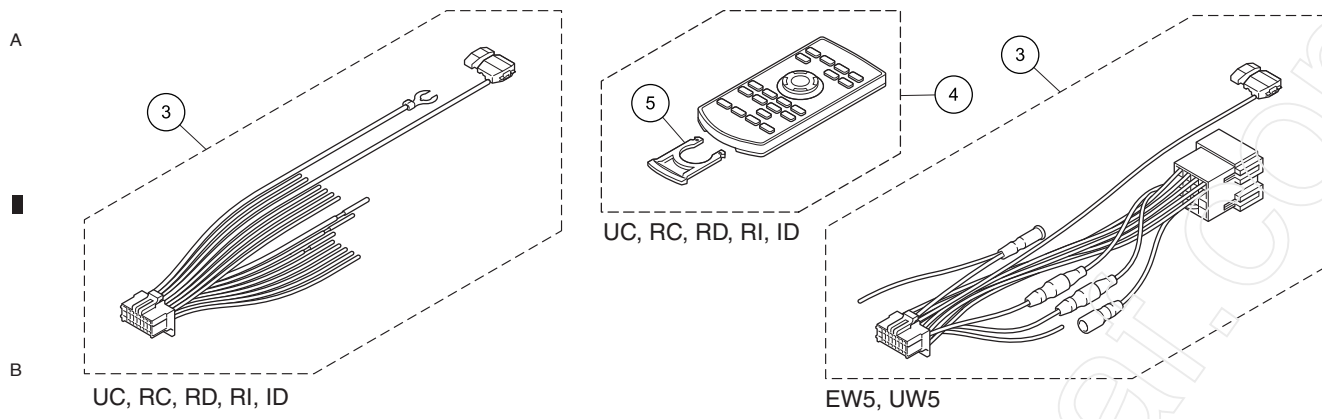


9.2 EXTERIOR (1)



AVH-X2500BT/XNUC

9.3 EXTERIOR (2)



AVH-X2500BT/XNUC

9.4 DVD MECHANISM MODULE (1)

A

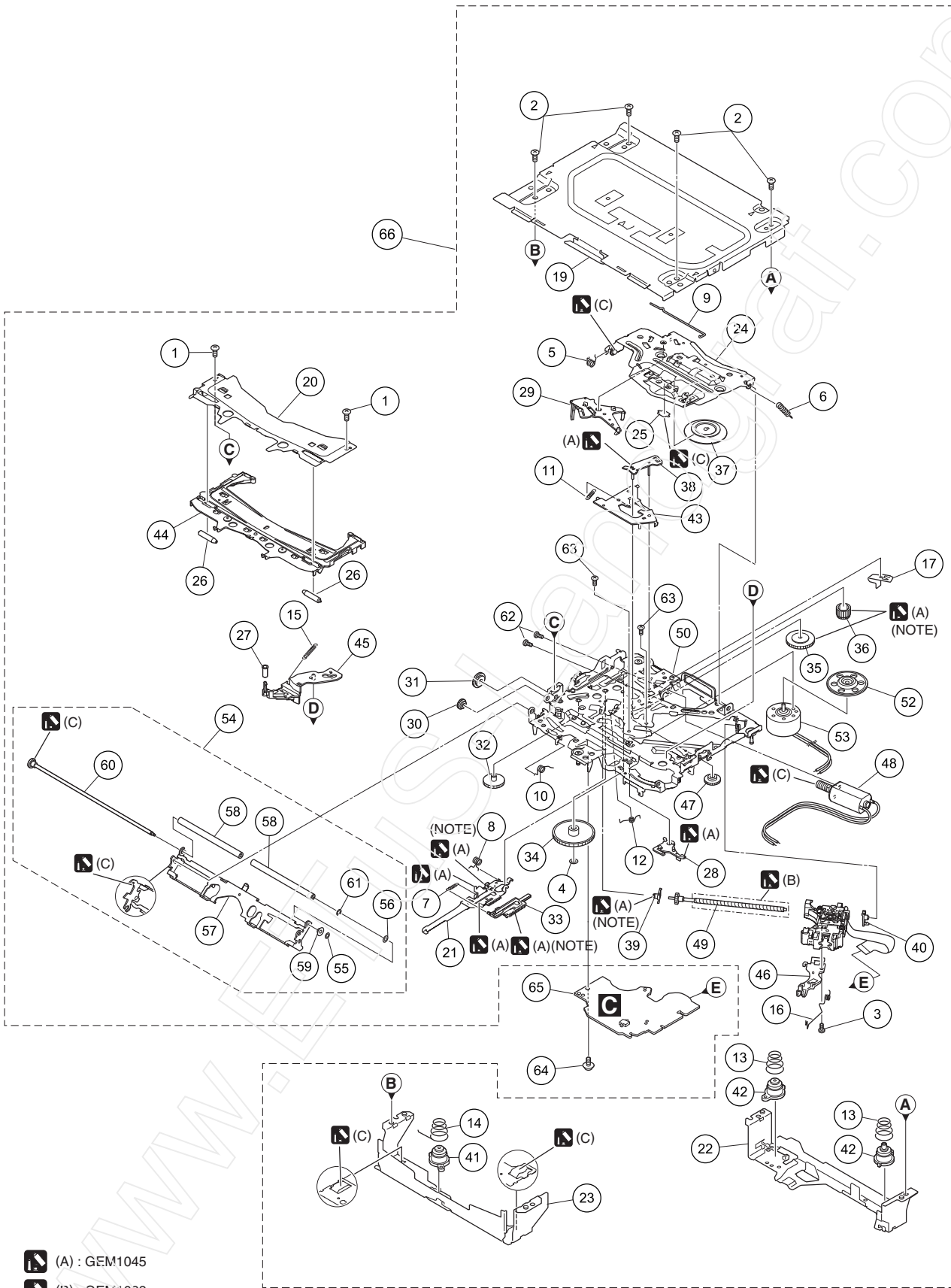
B




C

D

E

F



-  (A) : GEM1045
-  (B) : GEM1038
-  (C) : GEM1024

(NOTE) Apply grease to the whole part.