

9.3 EXTERIOR (2)

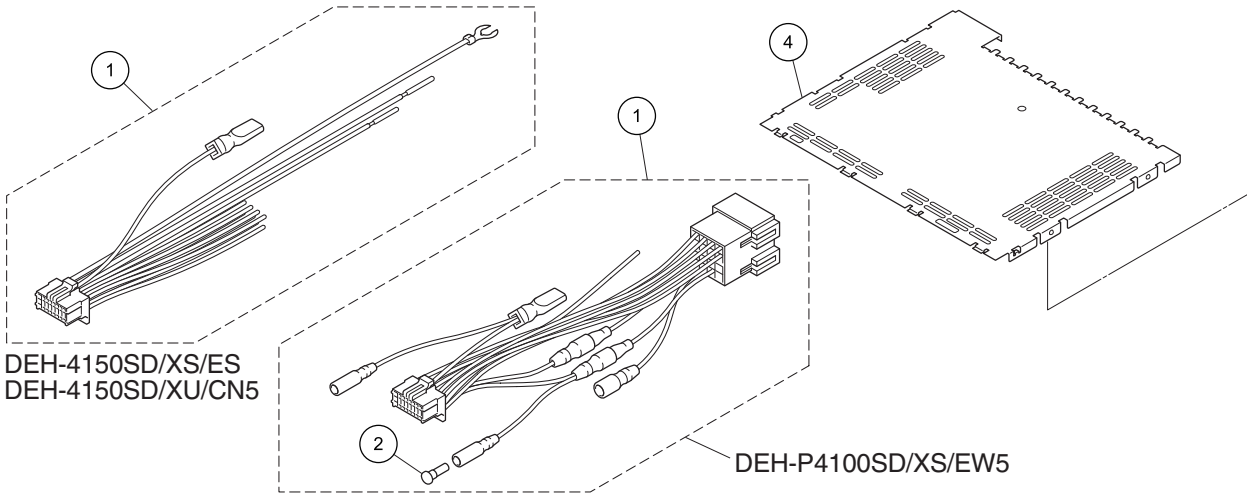
1

2

3

4

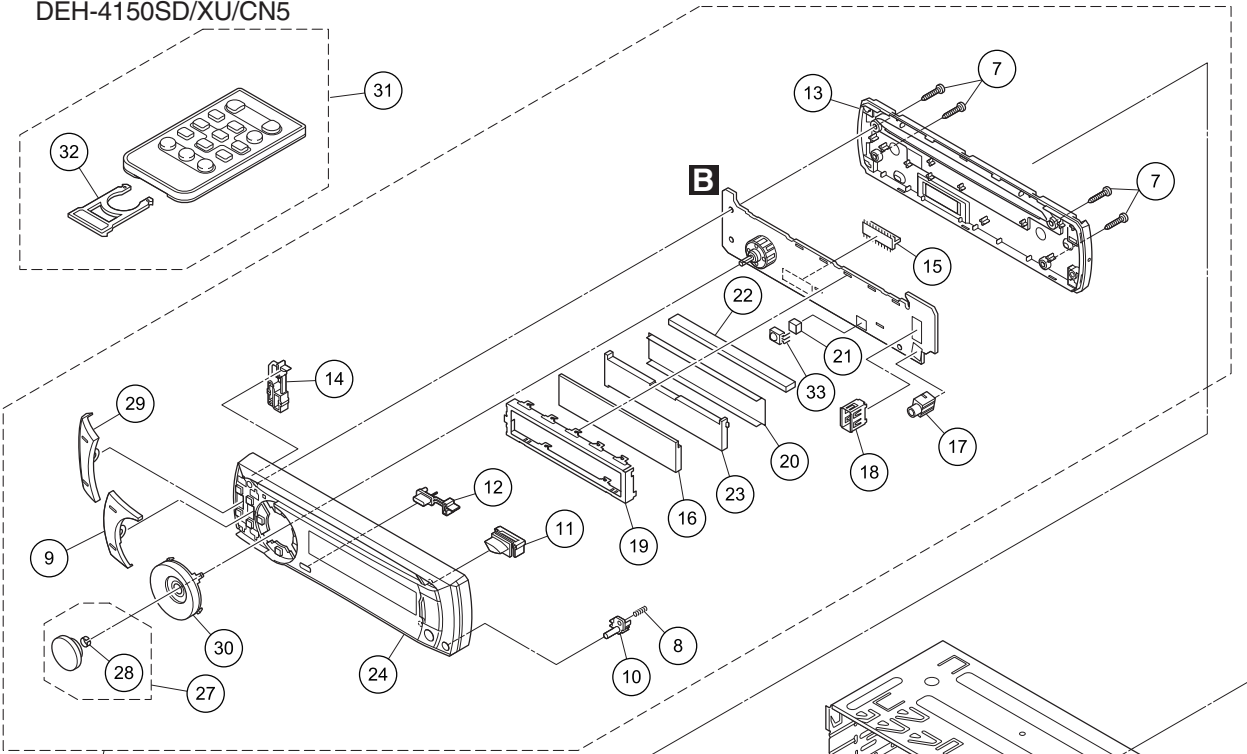
A



B

DEH-4150SD/XS/ES
DEH-4150SD/XU/CN5

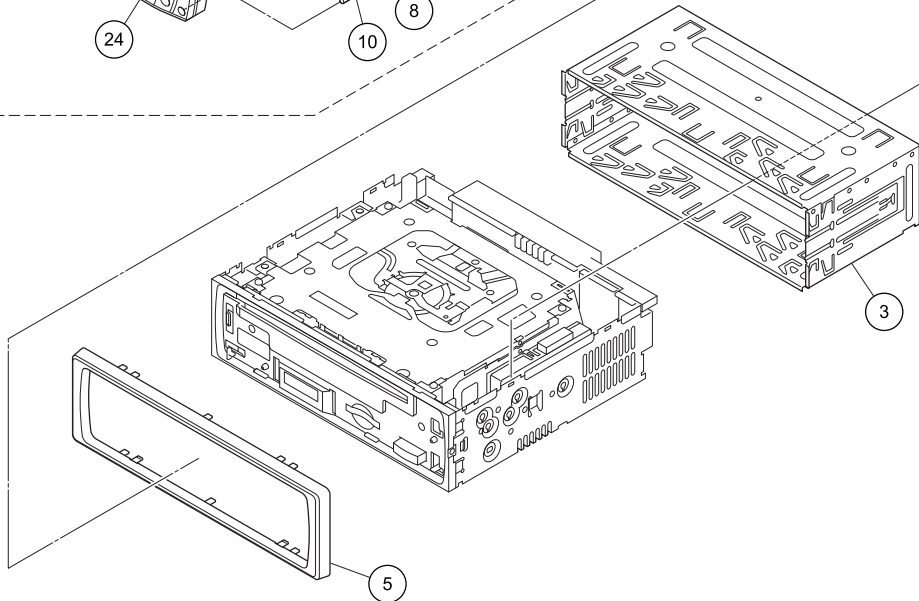
C



D

E

F



DEH-P4100SD/XS/EW5

1

2

3

4