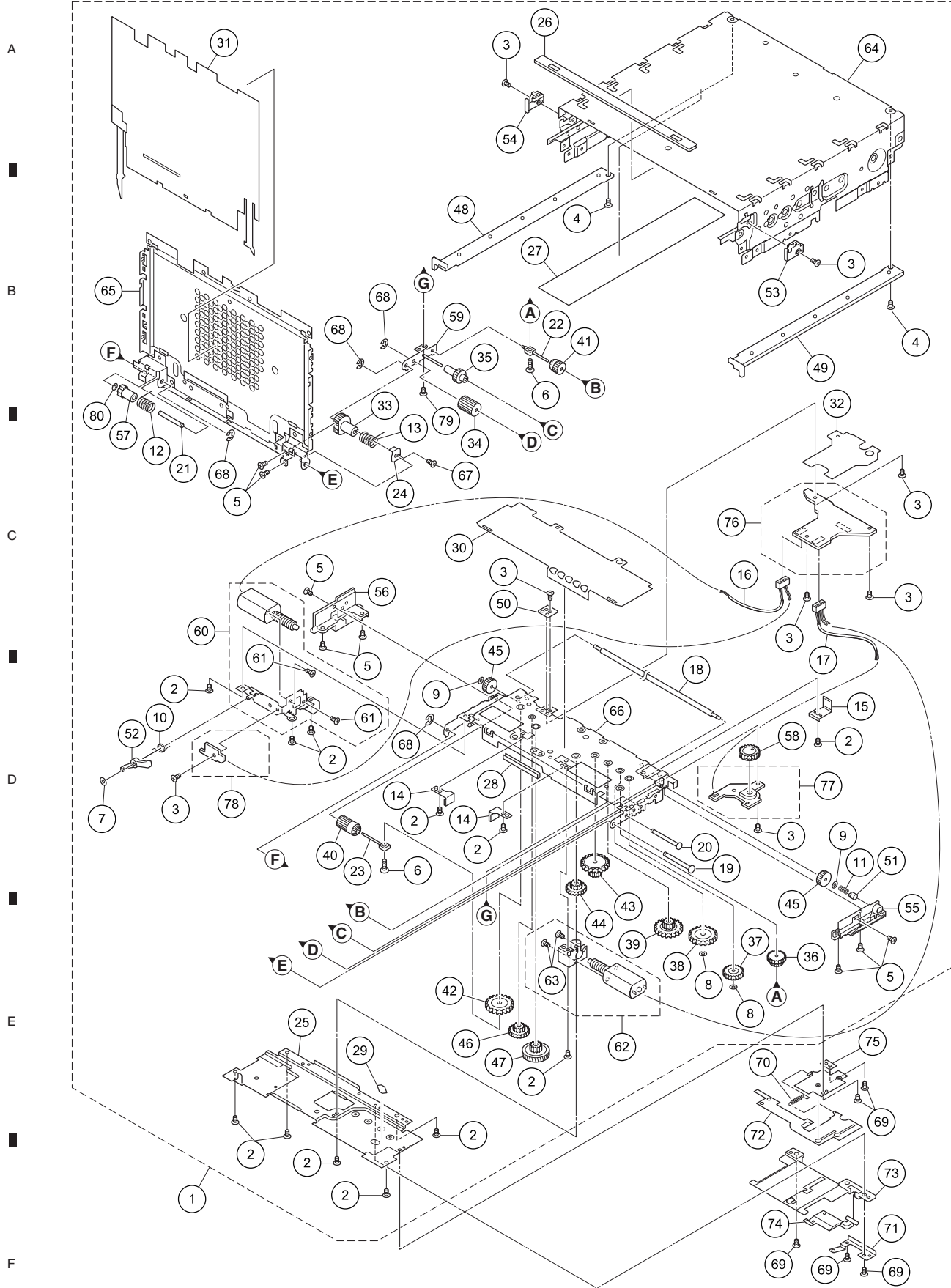


9.3 EXTERIOR(2)



The application position of grease is referred to page 110 and page 111.