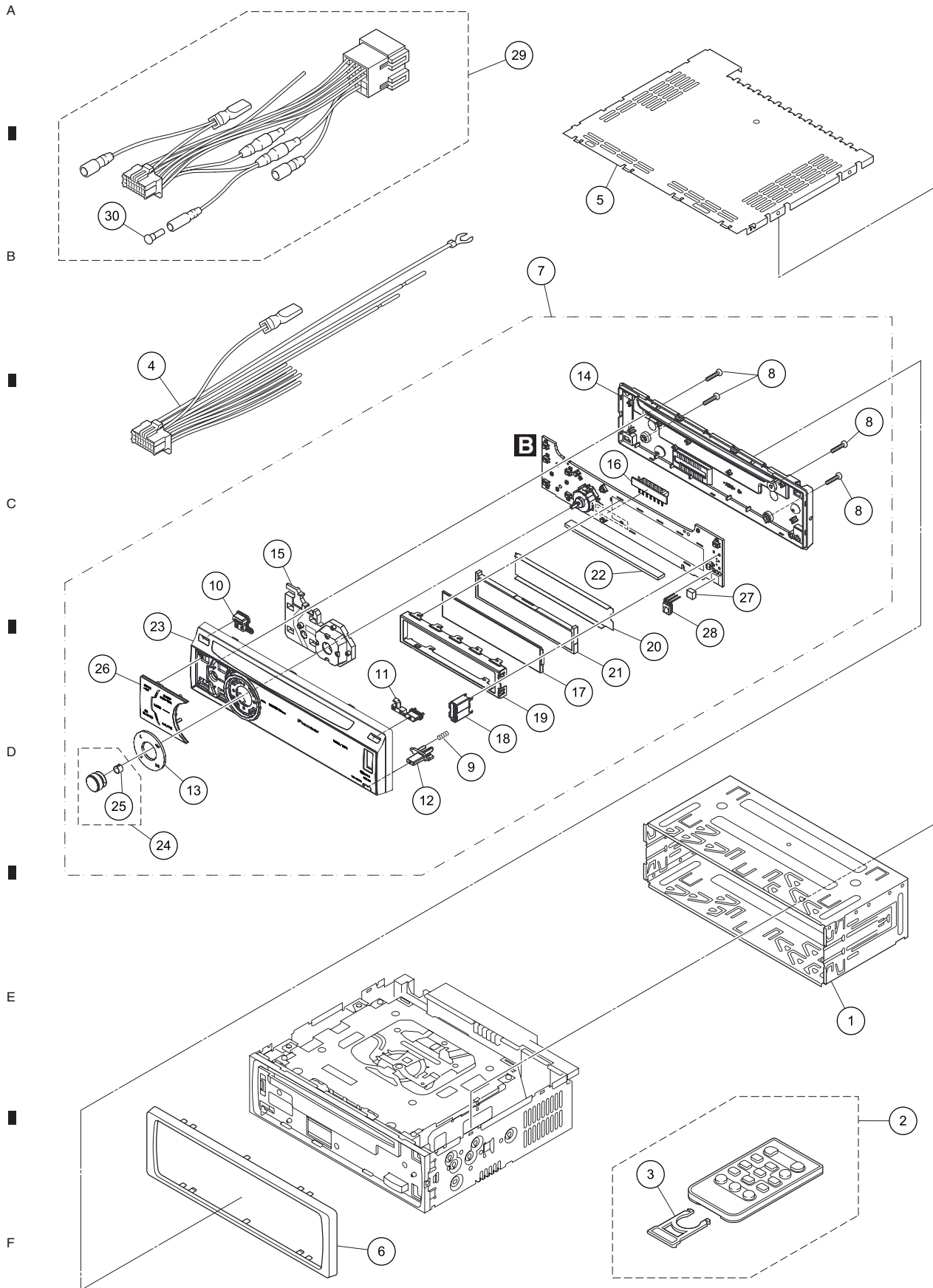


# 9.3 EXTERIOR(2)



DEH-4000UB/XS/EW5