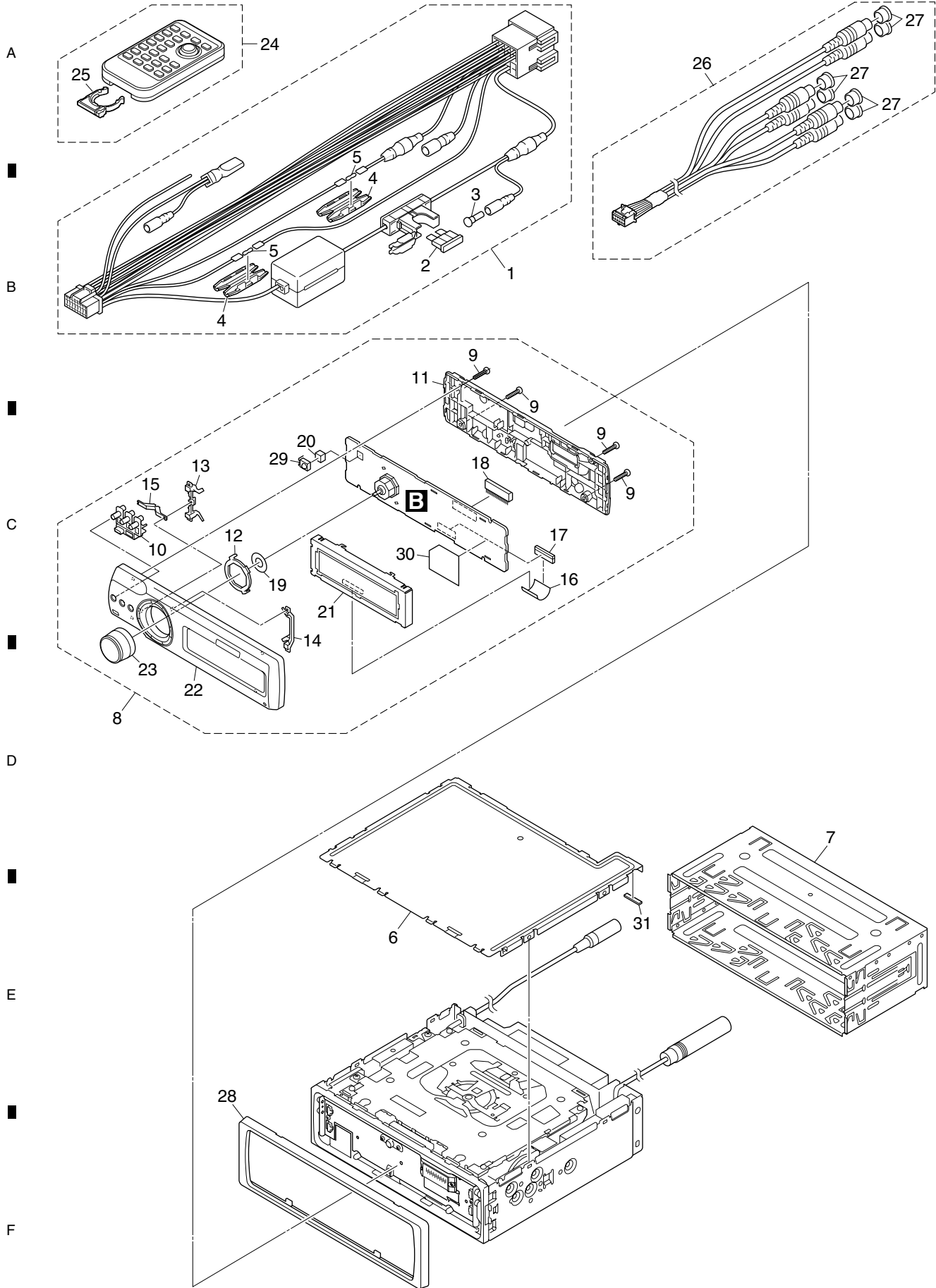


2.2 EXTERIOR(1)



DEH-P9800BT/XN/EW5