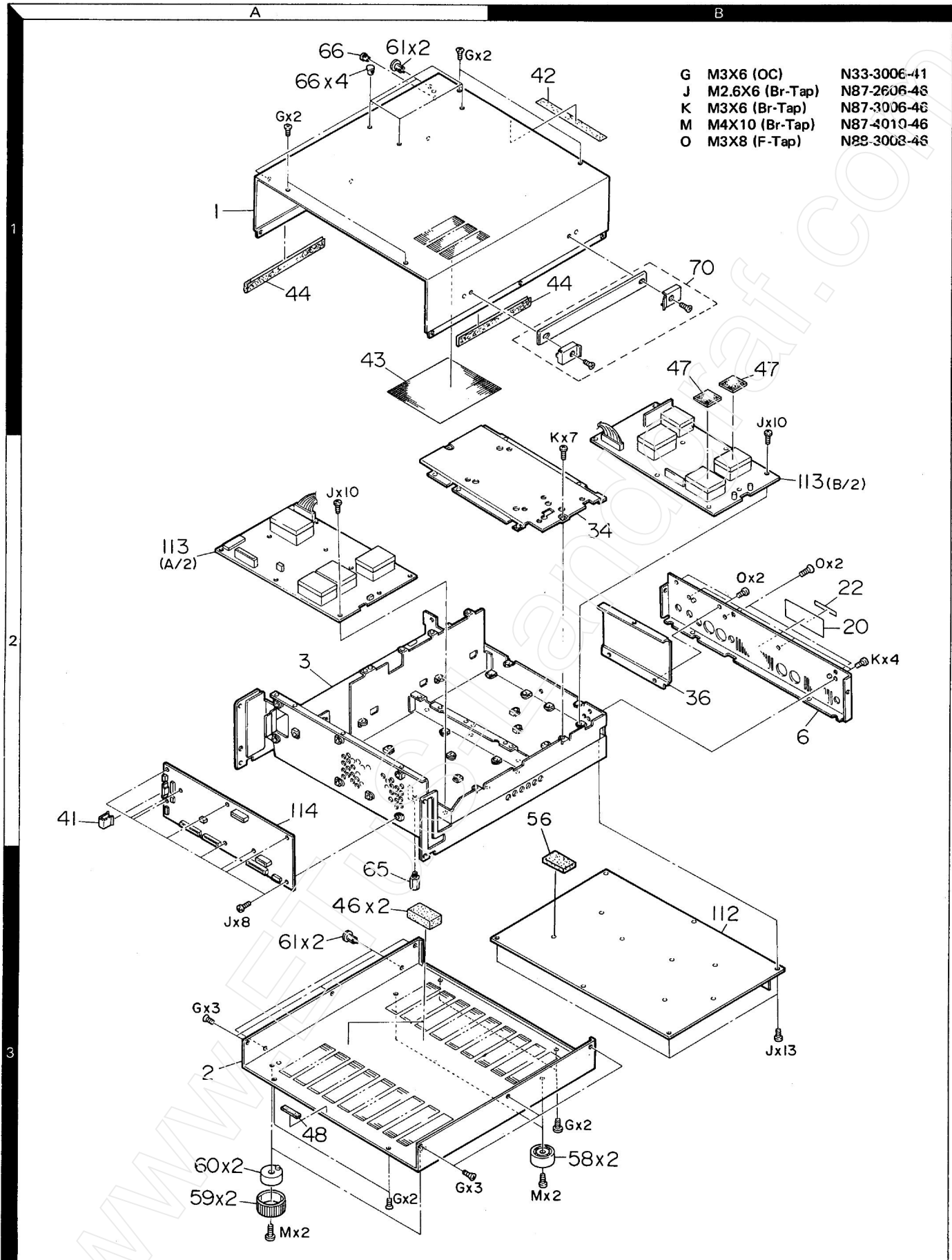
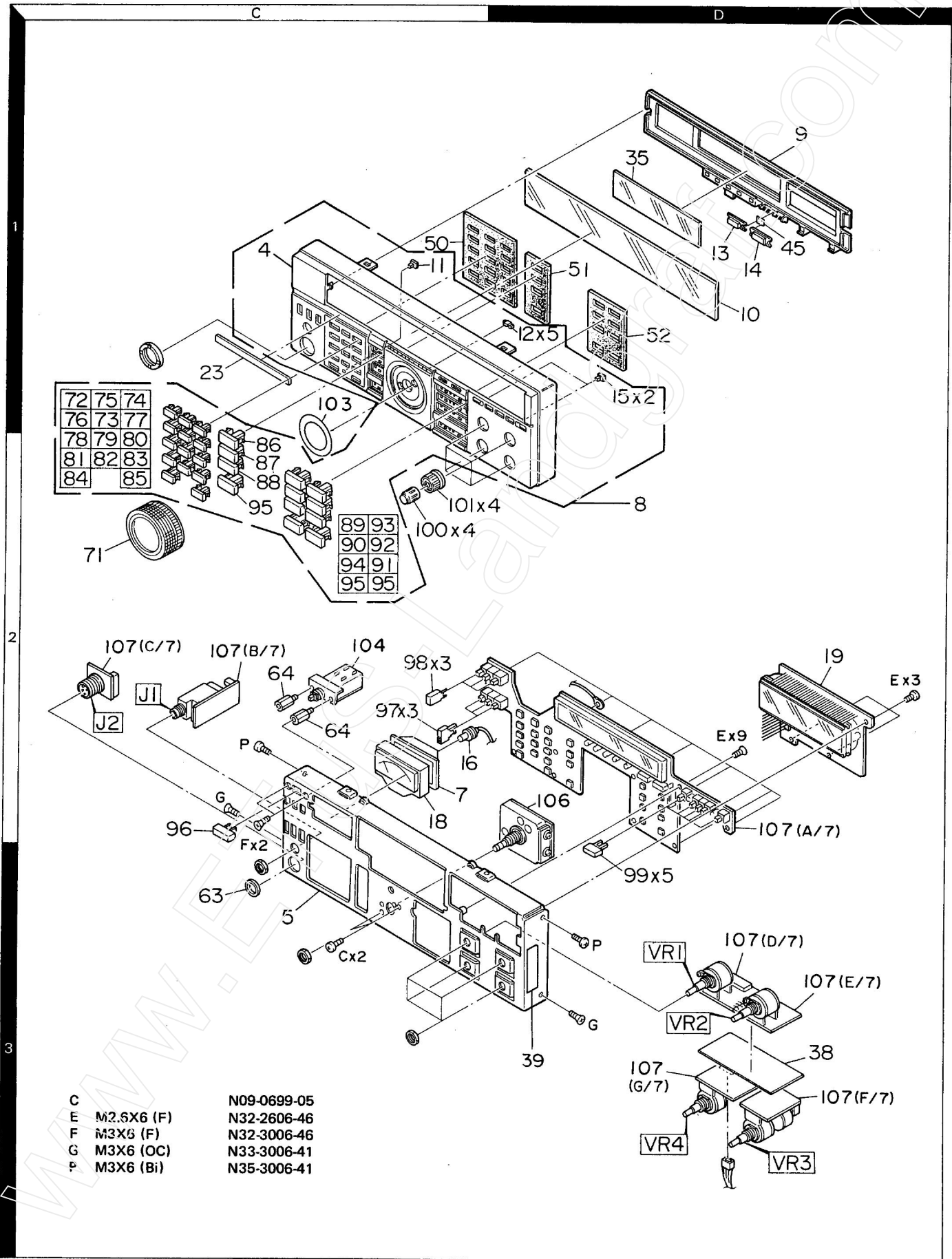


DISASSEMBLY



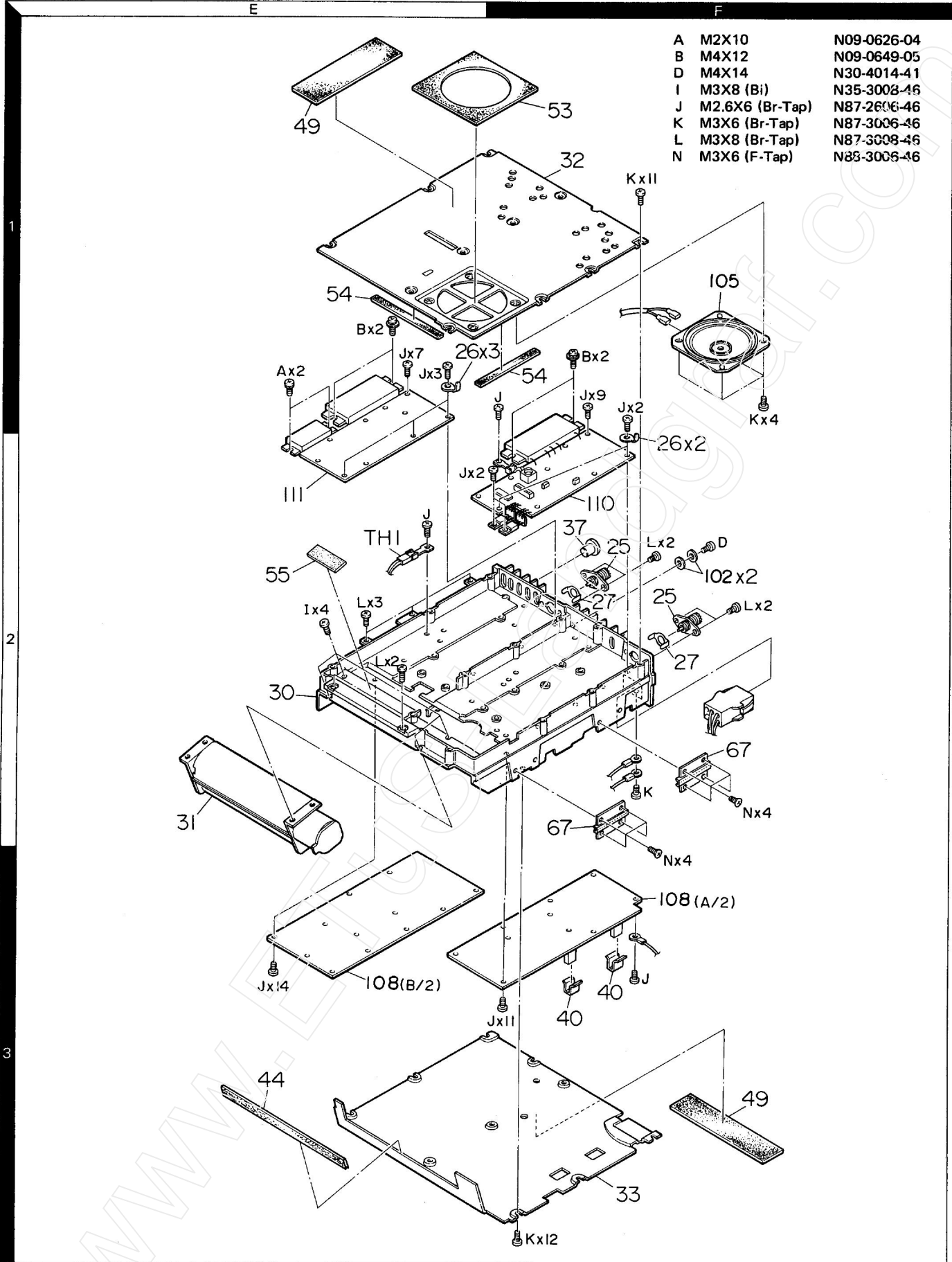
IS-790A/E

DISASSEMBLY



C		N09-0699-05
E	M2.5X6 (F)	N32-2606-46
F	M3X6 (F)	N32-3006-46
G	M3X6 (OC)	N33-3006-41
P	M3X6 (Bi)	N35-3006-41

DISASSEMBLY



A	M2X10	N09-0626-04
B	M4X12	N09-0649-05
D	M4X14	N30-4014-41
I	M3X8 (Bi)	N35-3008-46
J	M2.6X6 (Br-Tap)	N87-2606-46
K	M3X6 (Br-Tap)	N87-3006-46
L	M3X8 (Br-Tap)	N87-3008-46
N	M3X6 (F-Tap)	N88-3006-46

DISASSEMBLY (UT-10 : OPTION)

A	M3X10	N09-0626-04
E	M2.6X6 (F)	N32-2606-46
I	M3X8 (Bi)	N35-3008-46
J	M2.6X6 (Br-Tap)	N87-2606-46
K	M3X6 (Br-Tap)	N87-3006-46
L	M3X8 (Br-Tap)	N87-3008-46
N	M3X6 (F-Tap)	N88-3006-46
R	M3X6 (F-Tap)	N09-2037-04
S	M3X4 (Bi)	N35-3004-46

