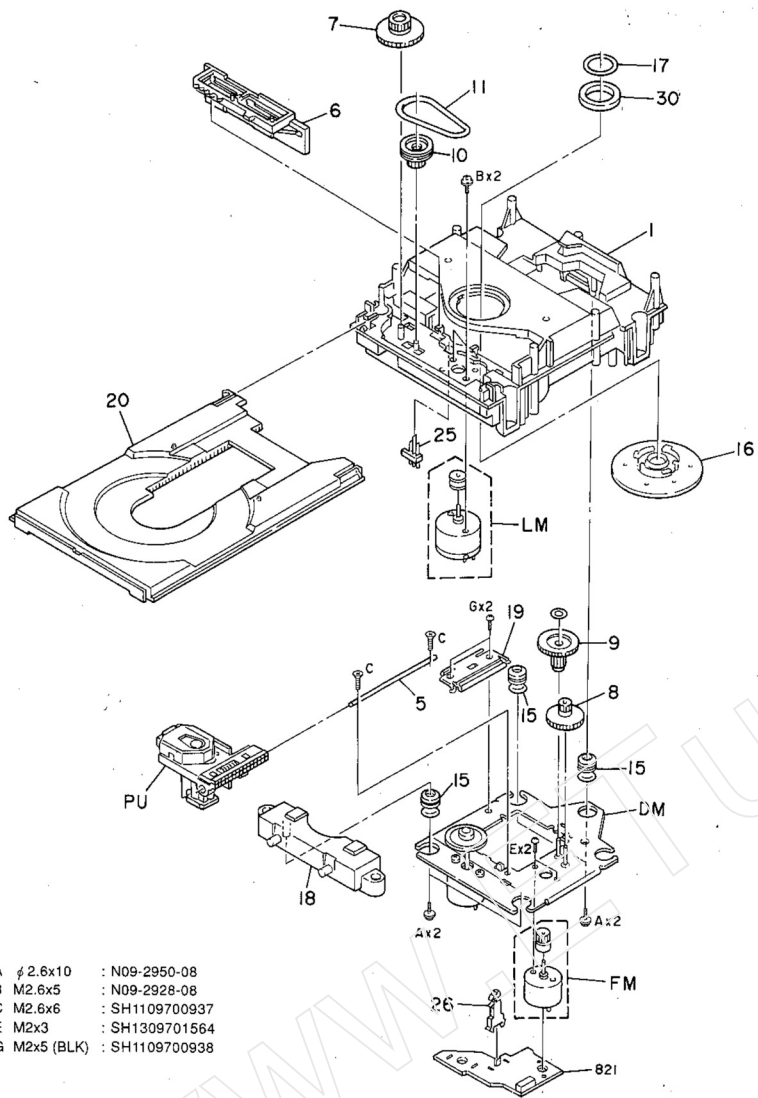


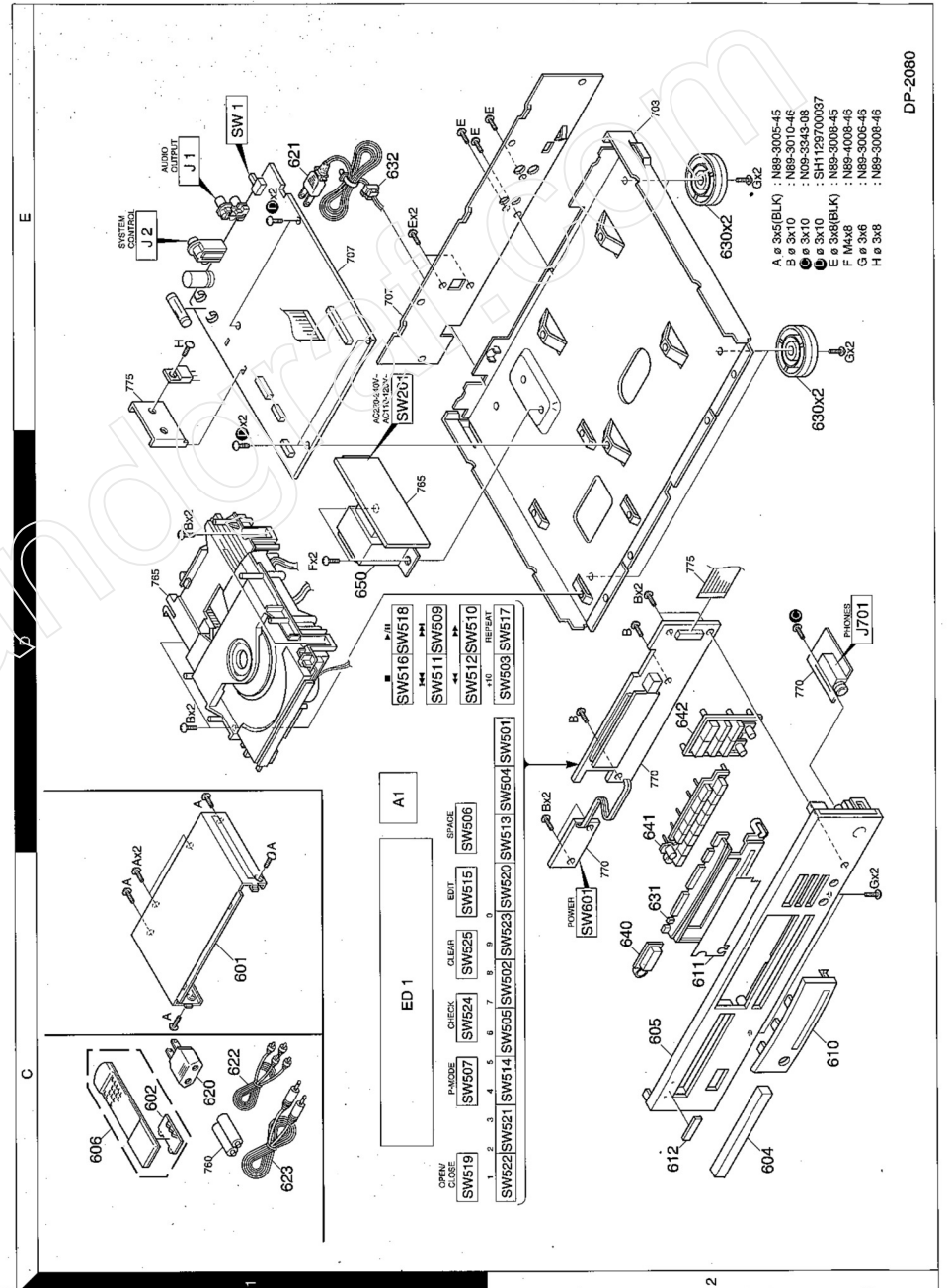
EXPLODED VIEW (MECHANISM)

EXPLODED VIEW (UNIT)



- A ϕ 2.6x10 : N09-2950-08
- B M2.6x5 : N09-2928-08
- C M2.6x6 : SH1109700937
- E M2x3 : SH1309701564
- G M2x5 (BLK) : SH1109700938

Parts with the exploded numbers larger than 700 are not supplied.



- A ϕ 2.6(BLK) : N89-3006-46
- B ϕ 3x10 : N89-3010-46
- C ϕ 3x10 : N09-3348-08
- D ϕ 3x10 : SH113700037
- E ϕ 3x8(BLK) : N89-3008-46
- F M4x8 : N89-4008-46
- G ϕ 3x6 : N89-3006-46
- H ϕ 3x8 : N89-3008-46

DP-2080

Parts with the exploded numbers larger than 700 are not supplied.