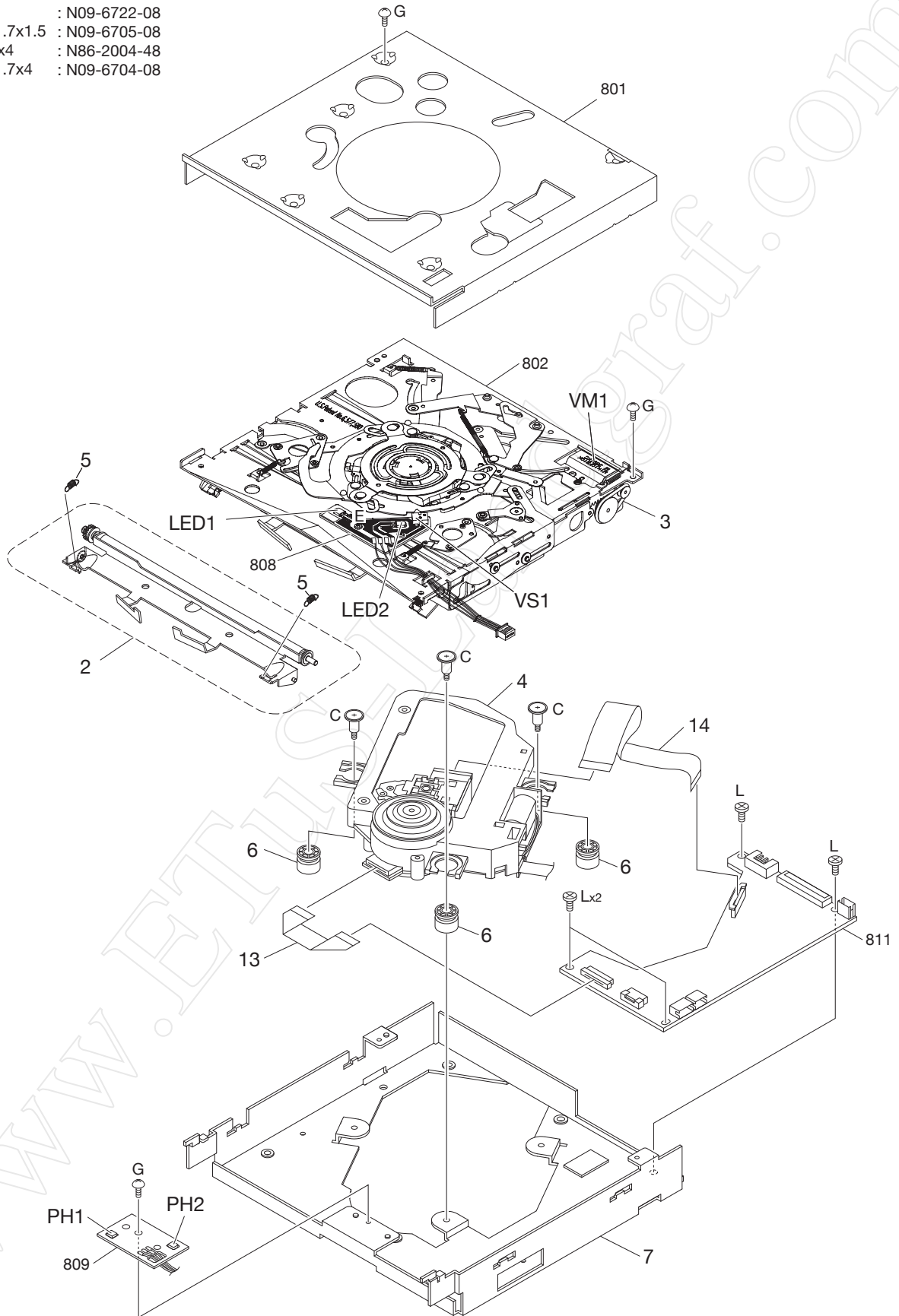


EXPLODED VIEW (DVD MECHANISM)

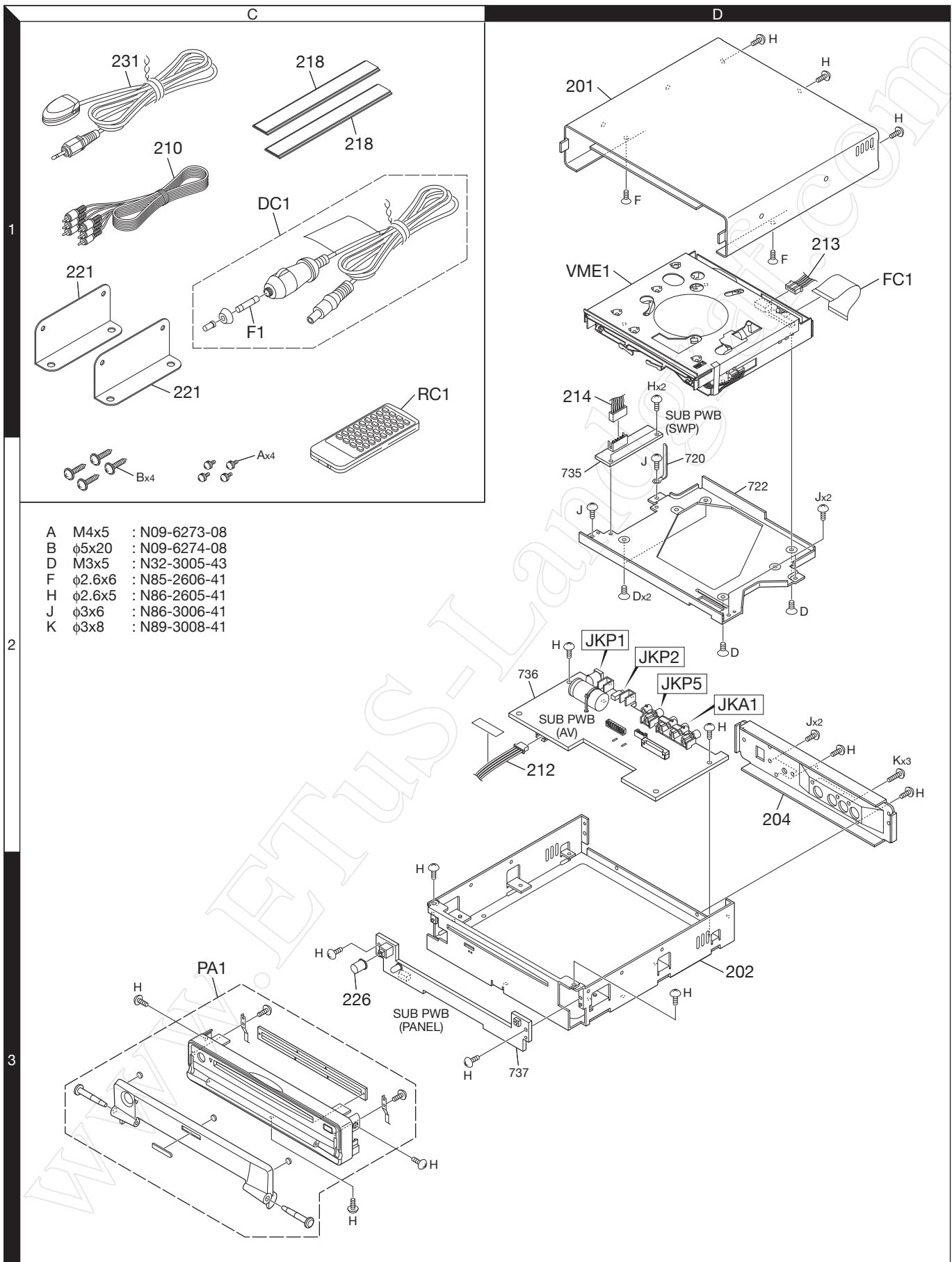
- | | | |
|---|----------|---------------|
| C | : | N09-6722-08 |
| E | M1.7x1.5 | : N09-6705-08 |
| G | φ2x4 | : N86-2004-48 |
| L | M1.7x4 | : N09-6704-08 |



Parts with the exploded numbers larger than 700 are not supplied.

KDV-S250P

EXPLODED VIEW (UNIT)



Parts with the exploded numbers larger than 700 are not supplied.