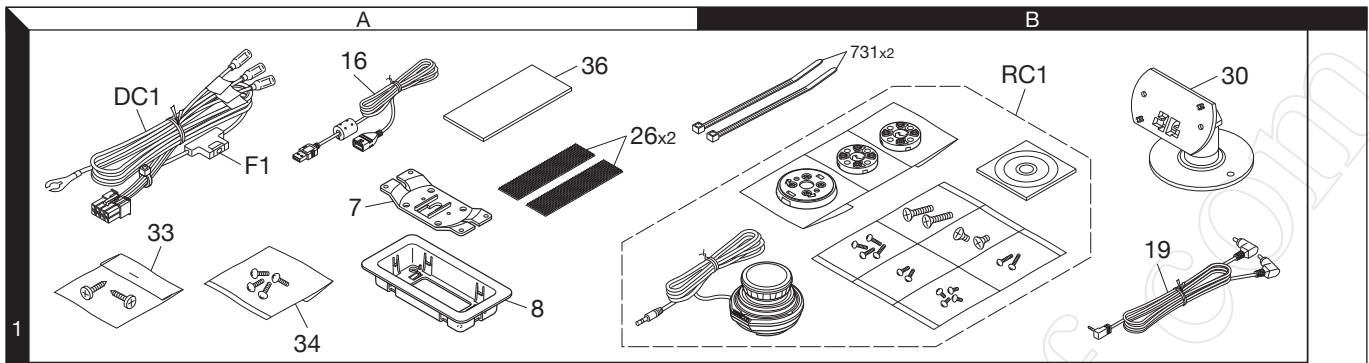
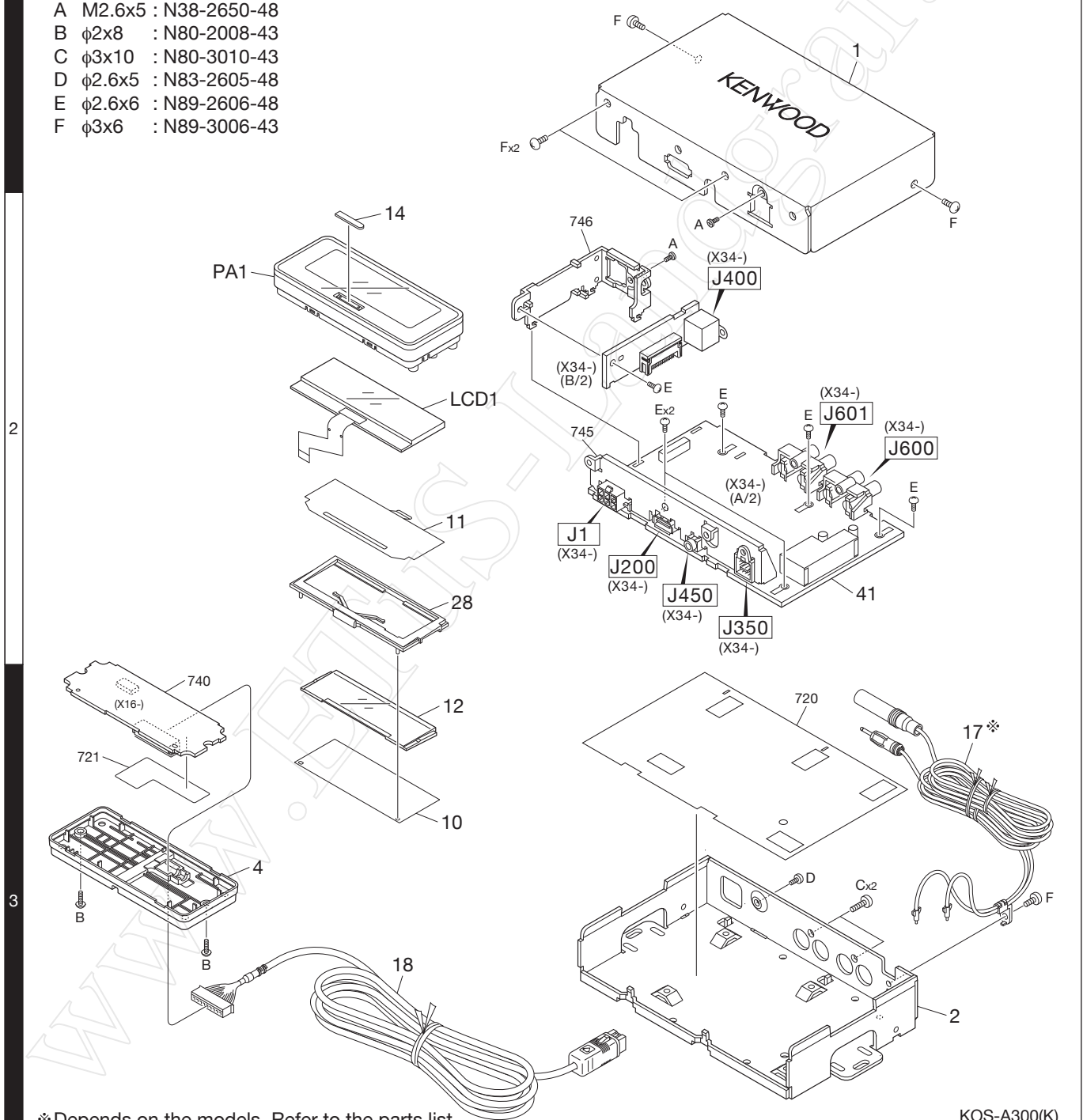


KOS-A210/A300/D210

EXPLODED VIEW



- A M2.6x5 : N38-2650-48
- B ϕ 2x8 : N80-2008-43
- C ϕ 3x10 : N80-3010-43
- D ϕ 2.6x5 : N83-2605-48
- E ϕ 2.6x6 : N89-2606-48
- F ϕ 3x6 : N89-3006-43



* Depends on the models. Refer to the parts list.

KOS-A300(K)