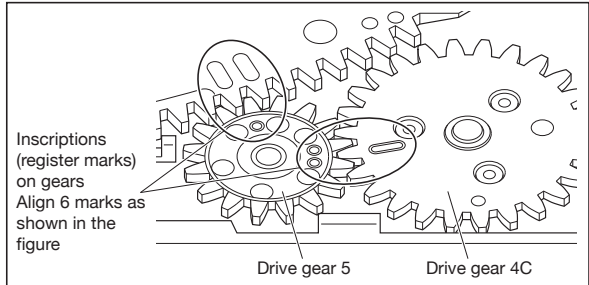
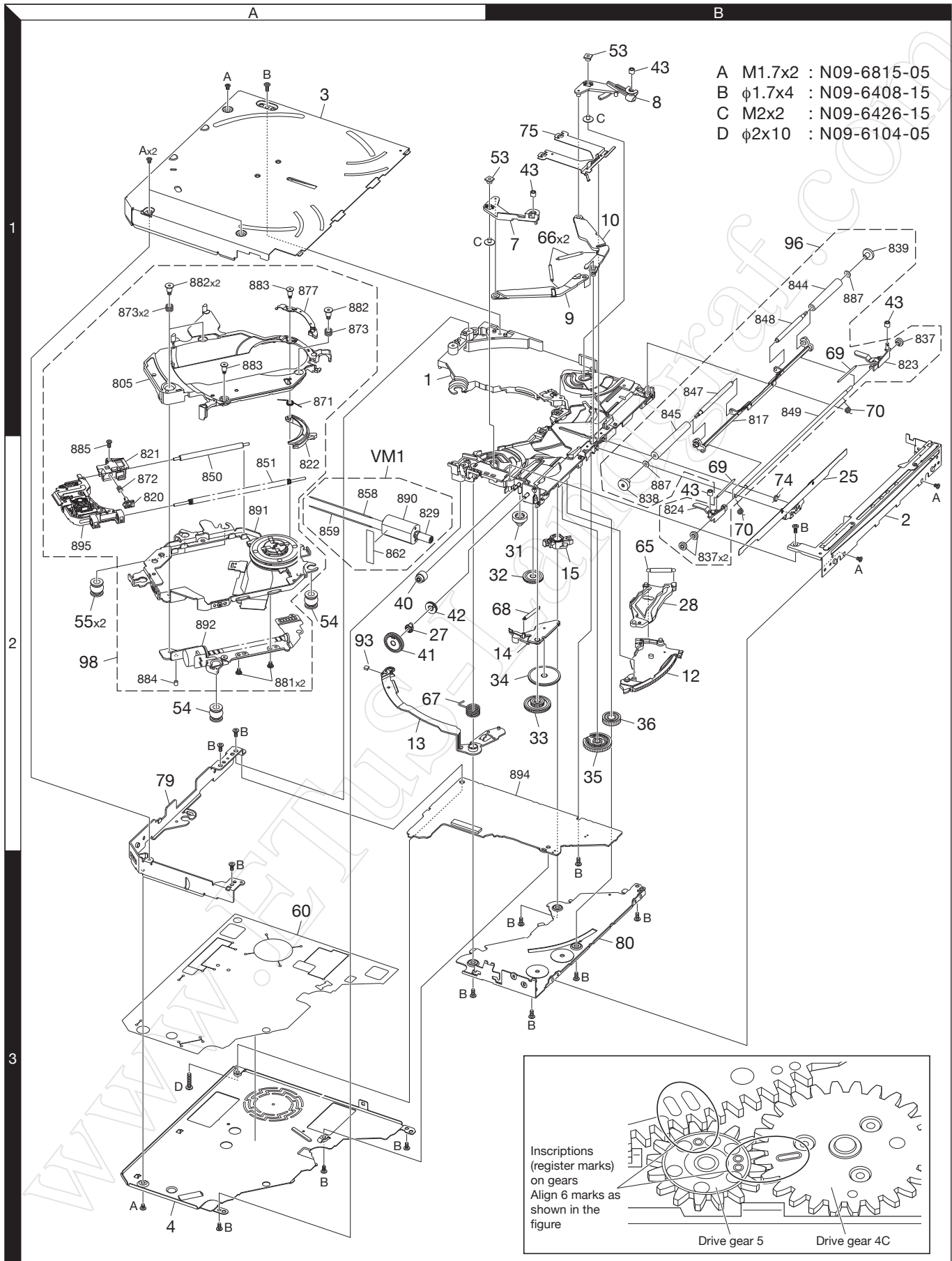


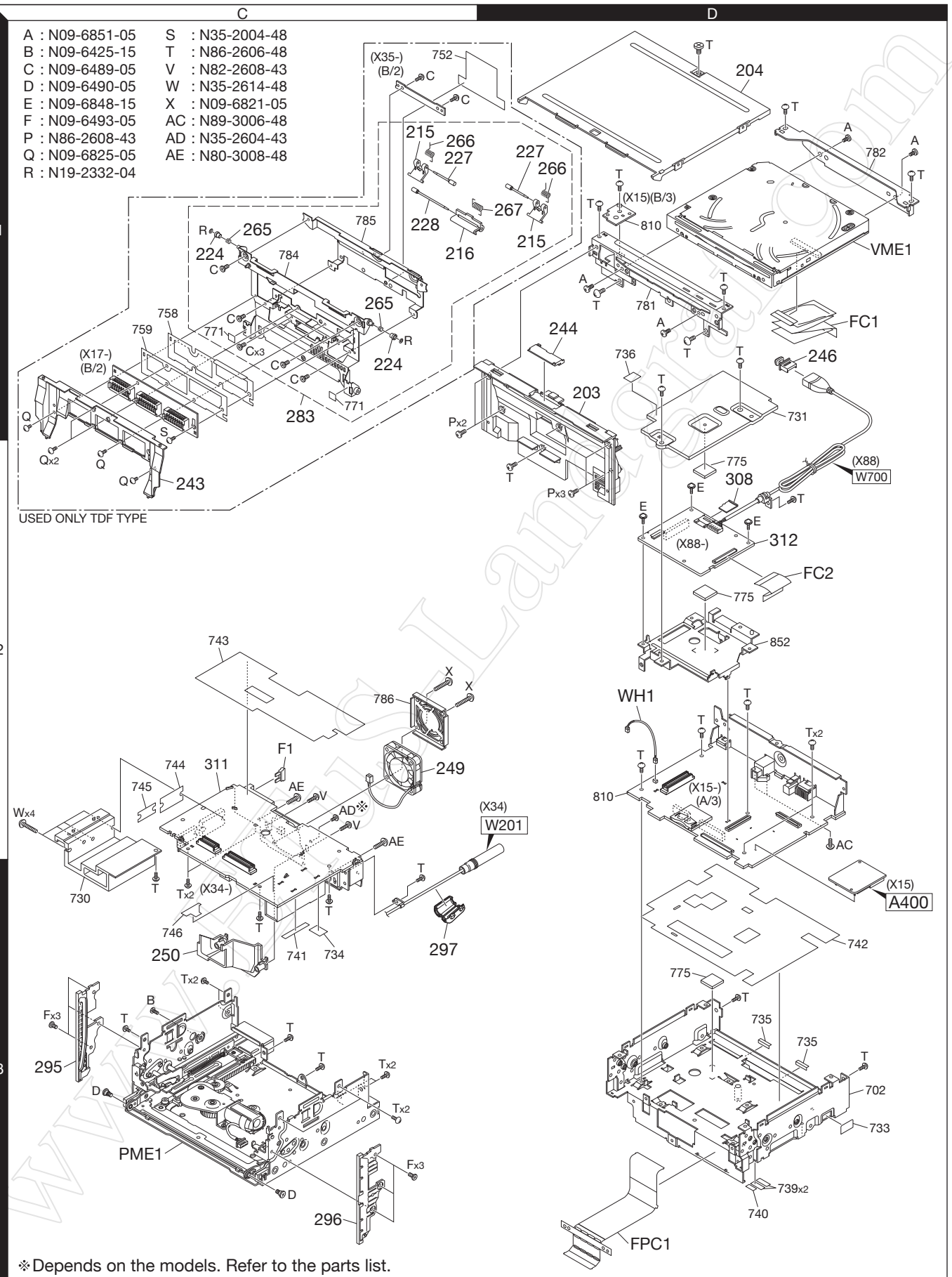
EXPLODED VIEW (DVD MECHANISM)



Parts with the exploded numbers larger than 700 are not supplied.

EXPLODED VIEW (UNIT)

- | | |
|-----------------|------------------|
| A : N09-6851-05 | S : N35-2004-48 |
| B : N09-6425-15 | T : N86-2606-48 |
| C : N09-6489-05 | V : N82-2608-43 |
| D : N09-6490-05 | W : N35-2614-48 |
| E : N09-6848-15 | X : N09-6821-05 |
| F : N09-6493-05 | AC : N89-3006-48 |
| P : N86-2608-43 | AD : N35-2604-43 |
| Q : N09-6825-05 | AE : N80-3008-48 |
| R : N19-2332-04 | |

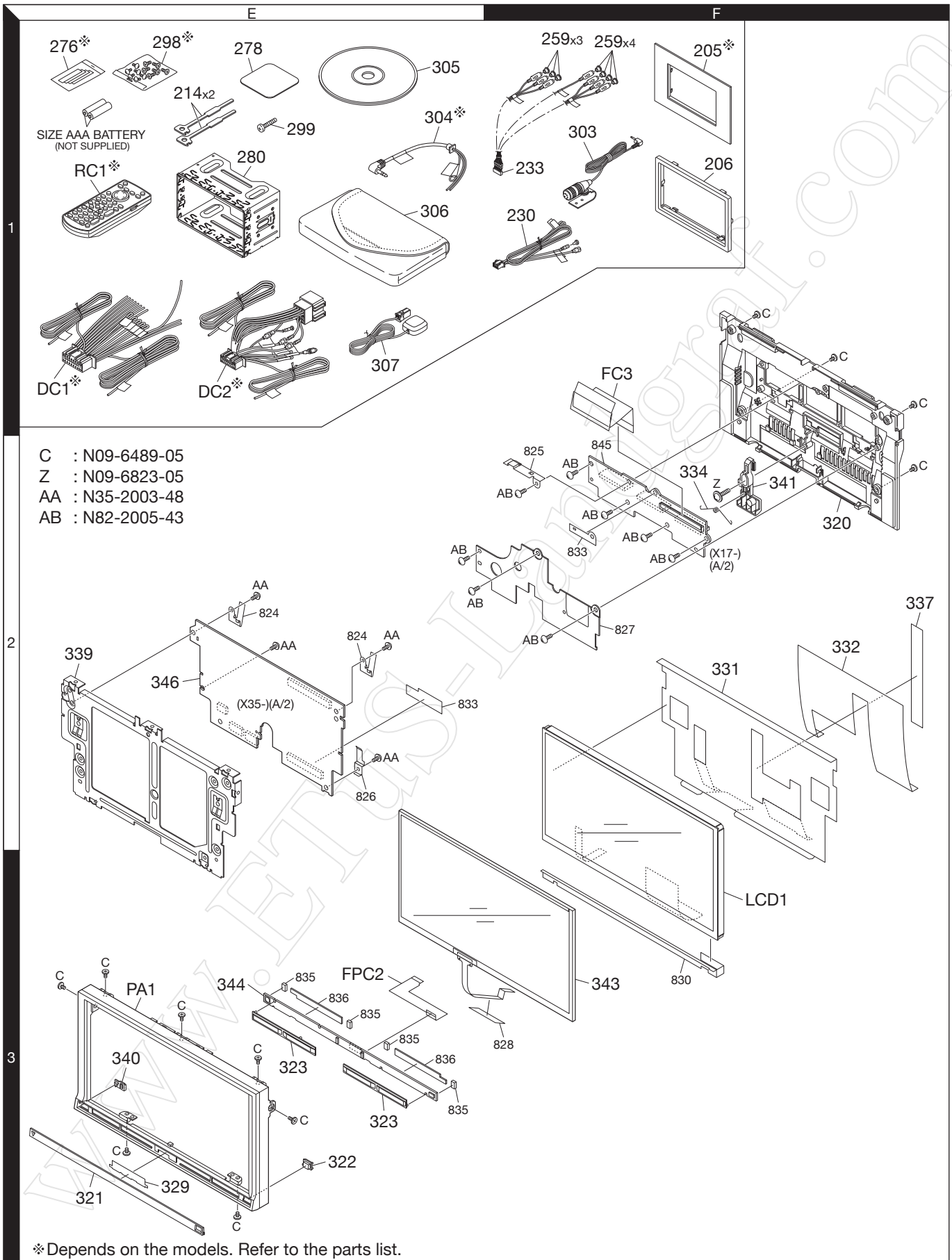


USED ONLY TDF TYPE

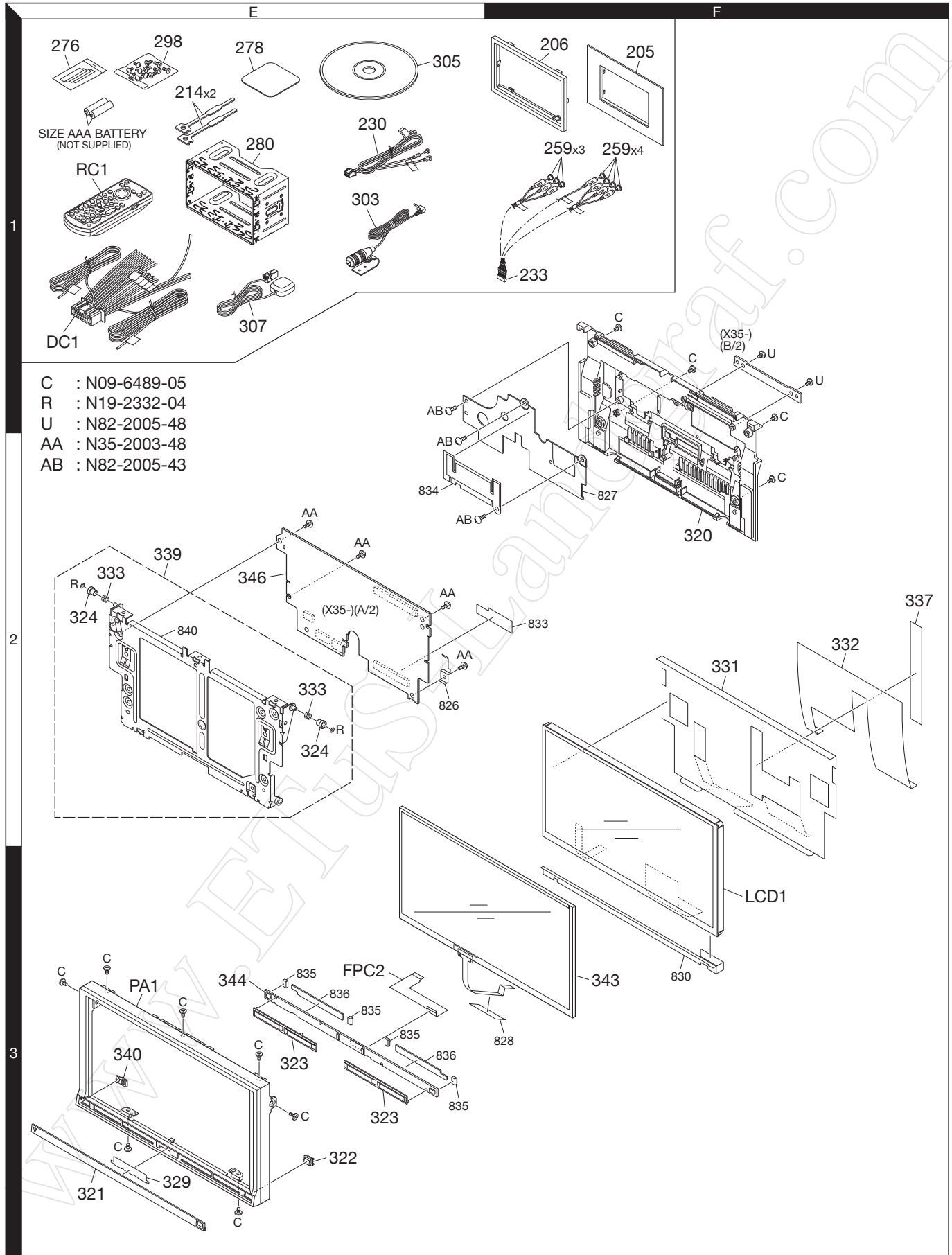
* Depends on the models. Refer to the parts list.

Parts with the exploded numbers larger than 700 are not supplied.

EXPLODED VIEW (DISPLAY ASSY): DNX7280BT/7380BT/7380BTM



EXPLODED VIEW (DISPLAY ASSY): DNX7180/7480BT

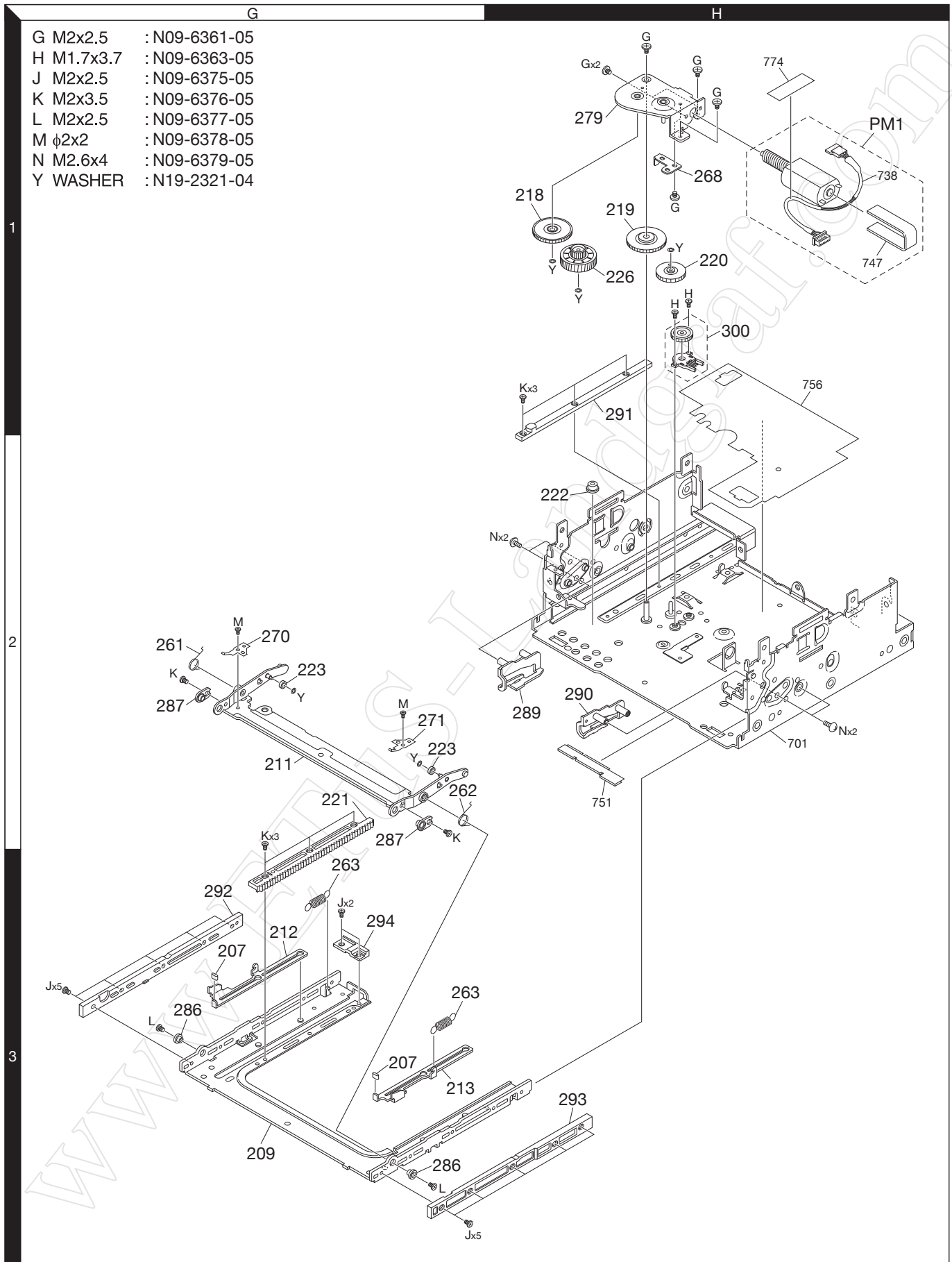


C : N09-6489-05
 R : N19-2332-04
 U : N82-2005-48
 AA : N35-2003-48
 AB : N82-2005-43

Parts with the exploded numbers larger than 700 are not supplied.

EXPLODED VIEW (CHASSIS ASSY)

G	M2x2.5	: N09-6361-05
H	M1.7x3.7	: N09-6363-05
J	M2x2.5	: N09-6375-05
K	M2x3.5	: N09-6376-05
L	M2x2.5	: N09-6377-05
M	φ2x2	: N09-6378-05
N	M2.6x4	: N09-6379-05
Y	WASHER	: N19-2321-04



Parts with the exploded numbers larger than 700 are not supplied.