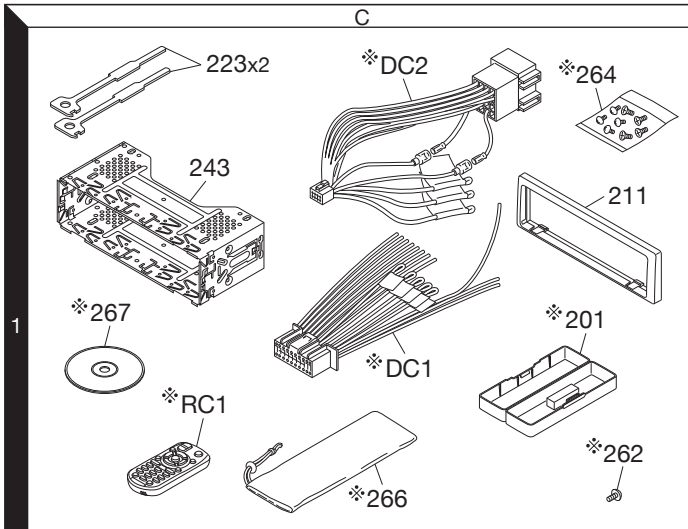
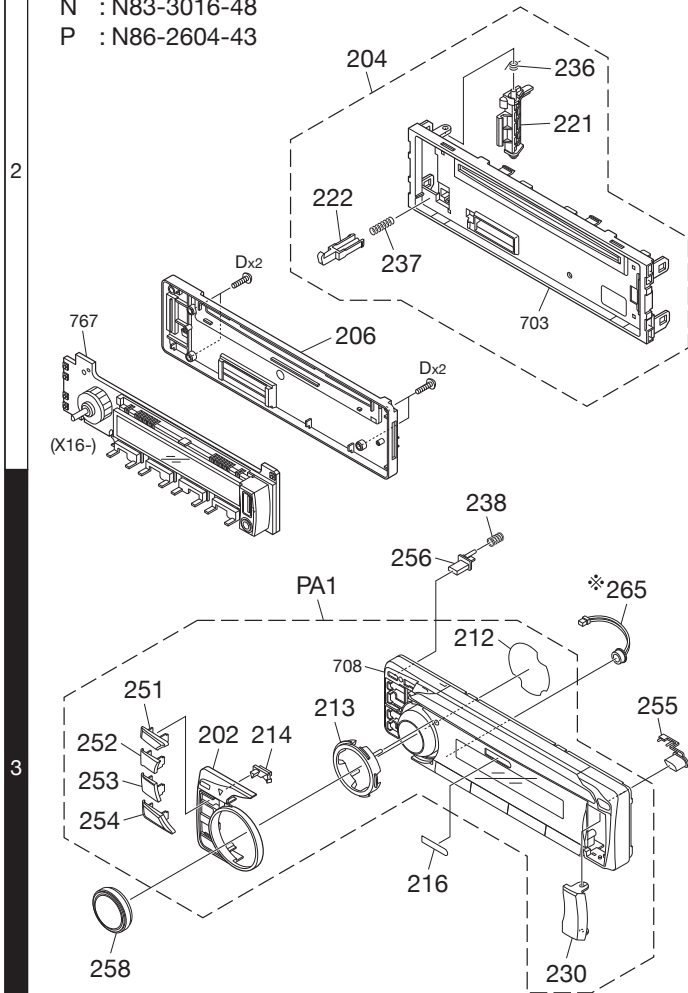


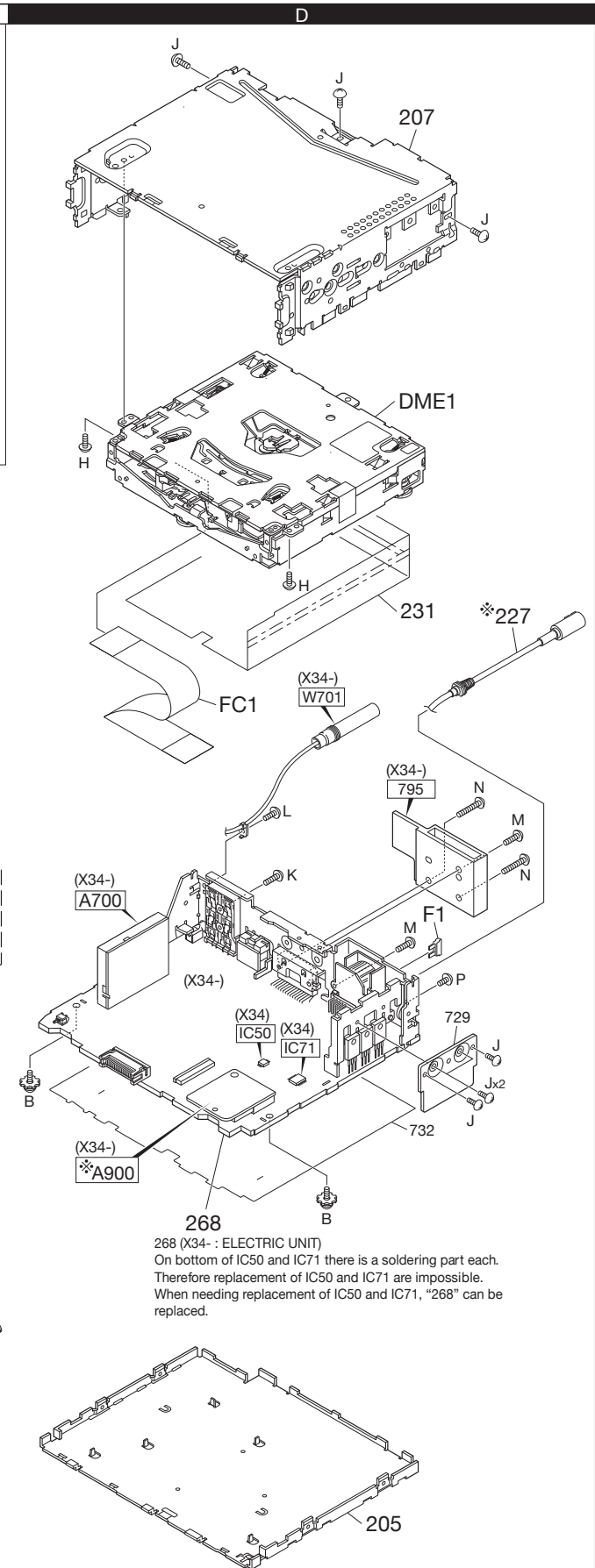
EXPLODED VIEW (UNIT)



- B : N09-6758-05
- D : N80-2008-43
- H : N86-2604-43
- J : N86-2606-48
- K : N80-3008-48
- L : N83-3005-48
- M : N83-3008-48
- N : N83-3016-48
- P : N86-2604-43



*Depends on the models. Refer to the parts list.



268 (X34- : ELECTRIC UNIT)
On bottom of IC50 and IC71 there is a soldering part each.
Therefore replacement of IC50 and IC71 are impossible.
When needing replacement of IC50 and IC71, "268" can be replaced.