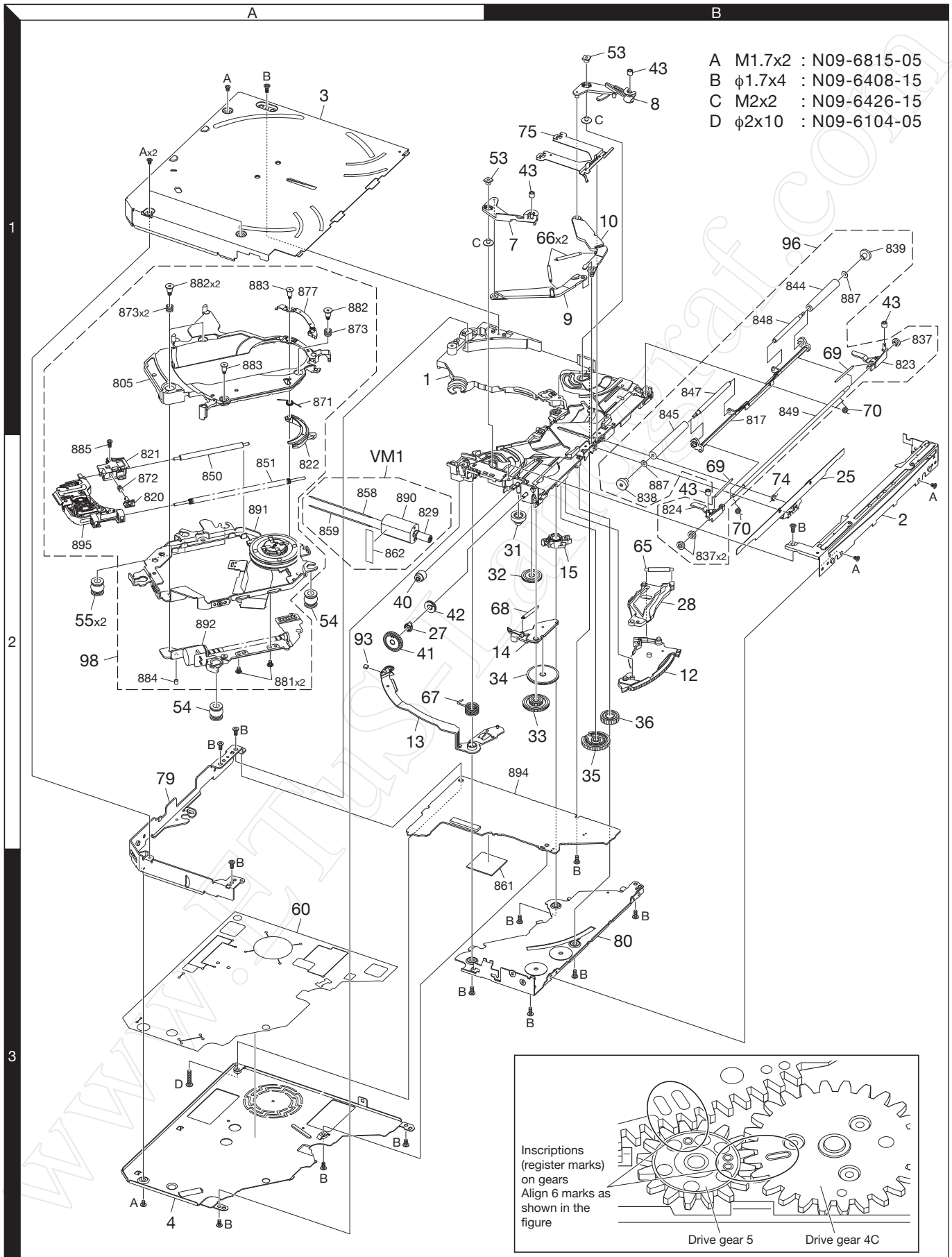


## EXPLODED VIEW (DVD MECHANISM)

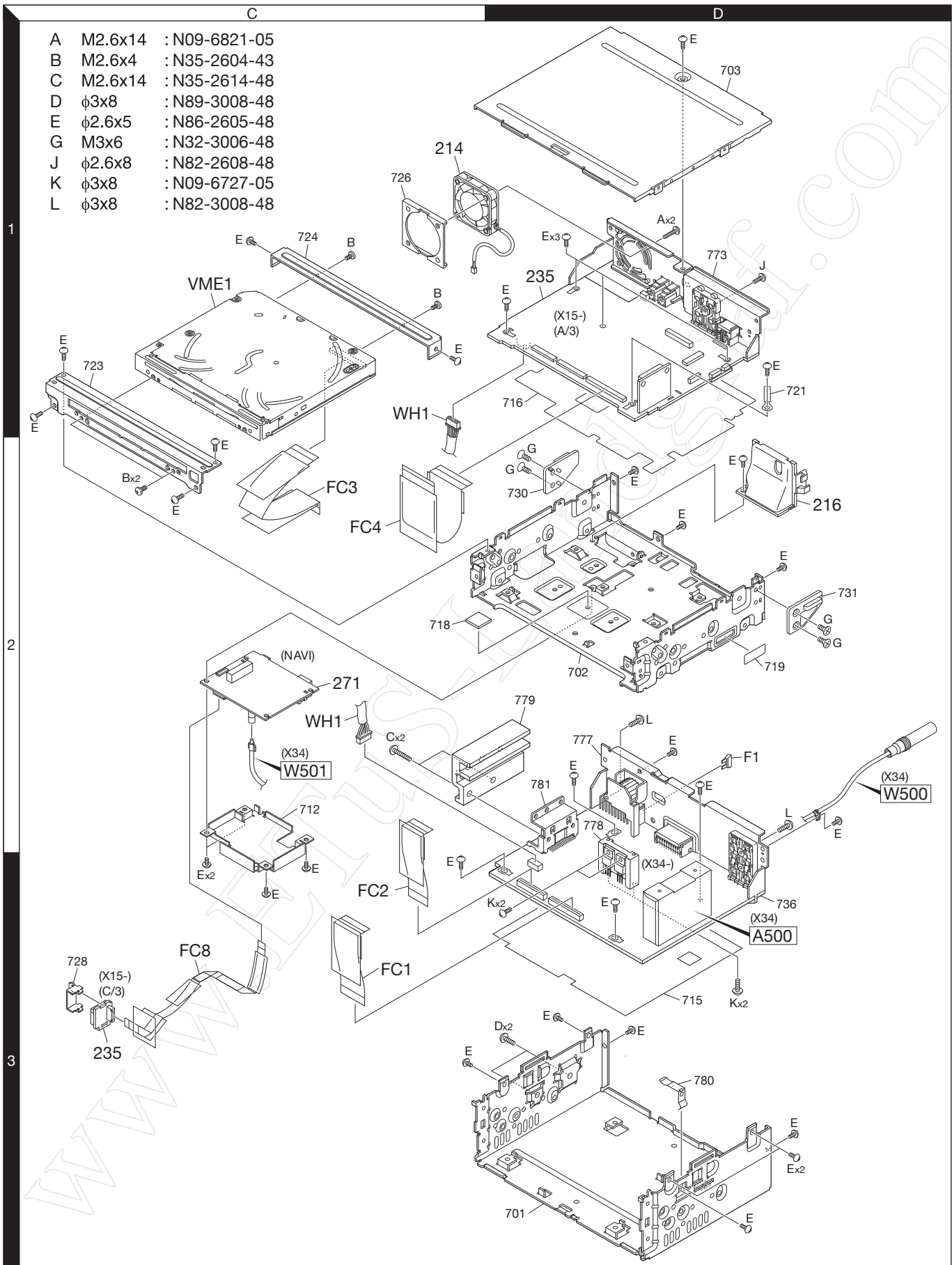


Parts with the exploded numbers larger than 700 are not supplied.

# DNX520VBT

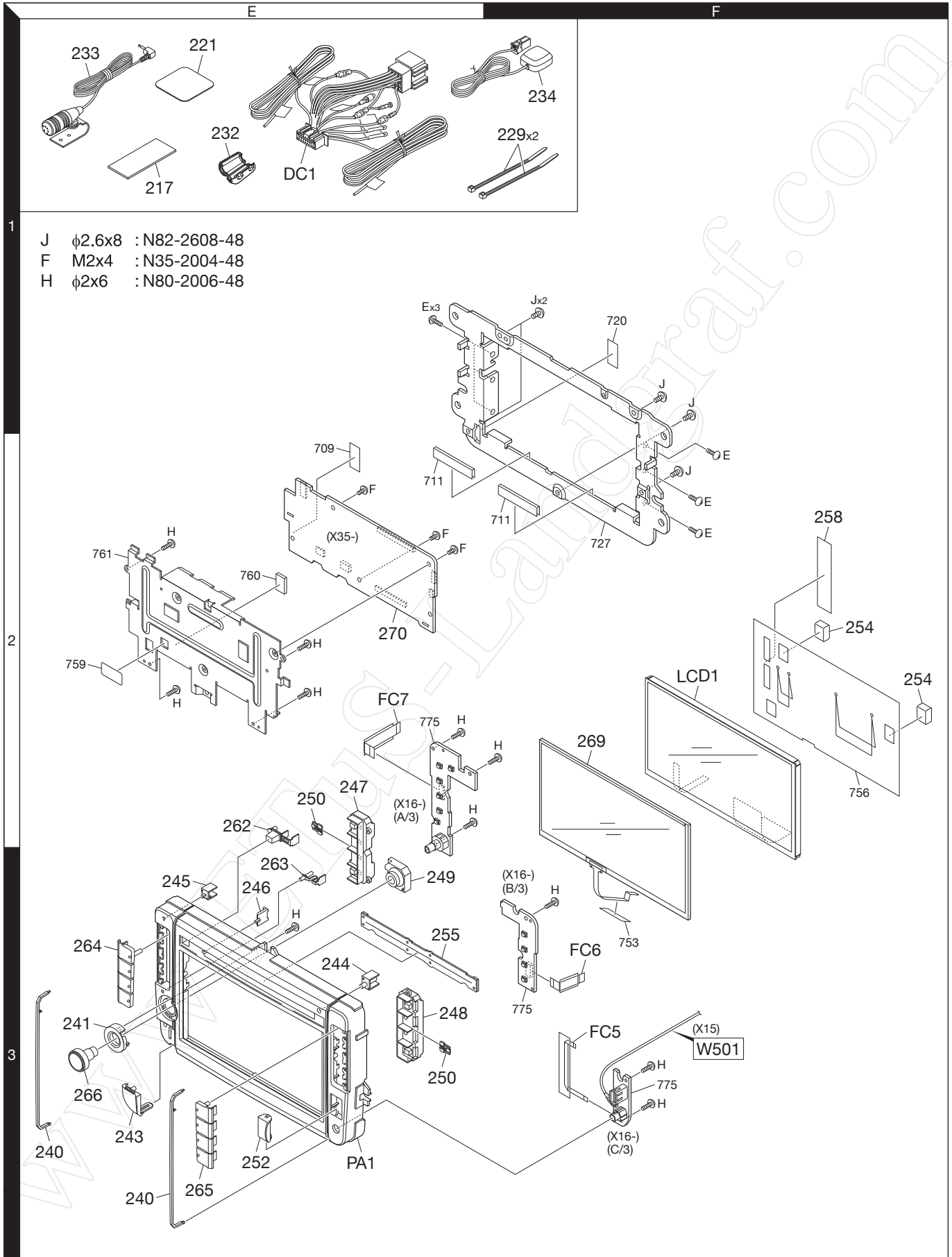
## EXPLODED VIEW (UNIT)

- A M2.6x14 : N09-6821-05
- B M2.6x4 : N35-2604-43
- C M2.6x14 : N35-2614-48
- D  $\phi 3 \times 8$  : N89-3008-48
- E  $\phi 2.6 \times 5$  : N86-2605-48
- G M3x6 : N32-3006-48
- J  $\phi 2.6 \times 8$  : N82-2608-48
- K  $\phi 3 \times 8$  : N09-6727-05
- L  $\phi 3 \times 8$  : N82-3008-48



Parts with the exploded numbers larger than 700 are not supplied.

## EXPLODED VIEW (PANEL)



- J  $\phi 2.6 \times 8$  : N82-2608-48
- F M2x4 : N35-2004-48
- H  $\phi 2 \times 6$  : N80-2006-48

Parts with the exploded numbers larger than 700 are not supplied.