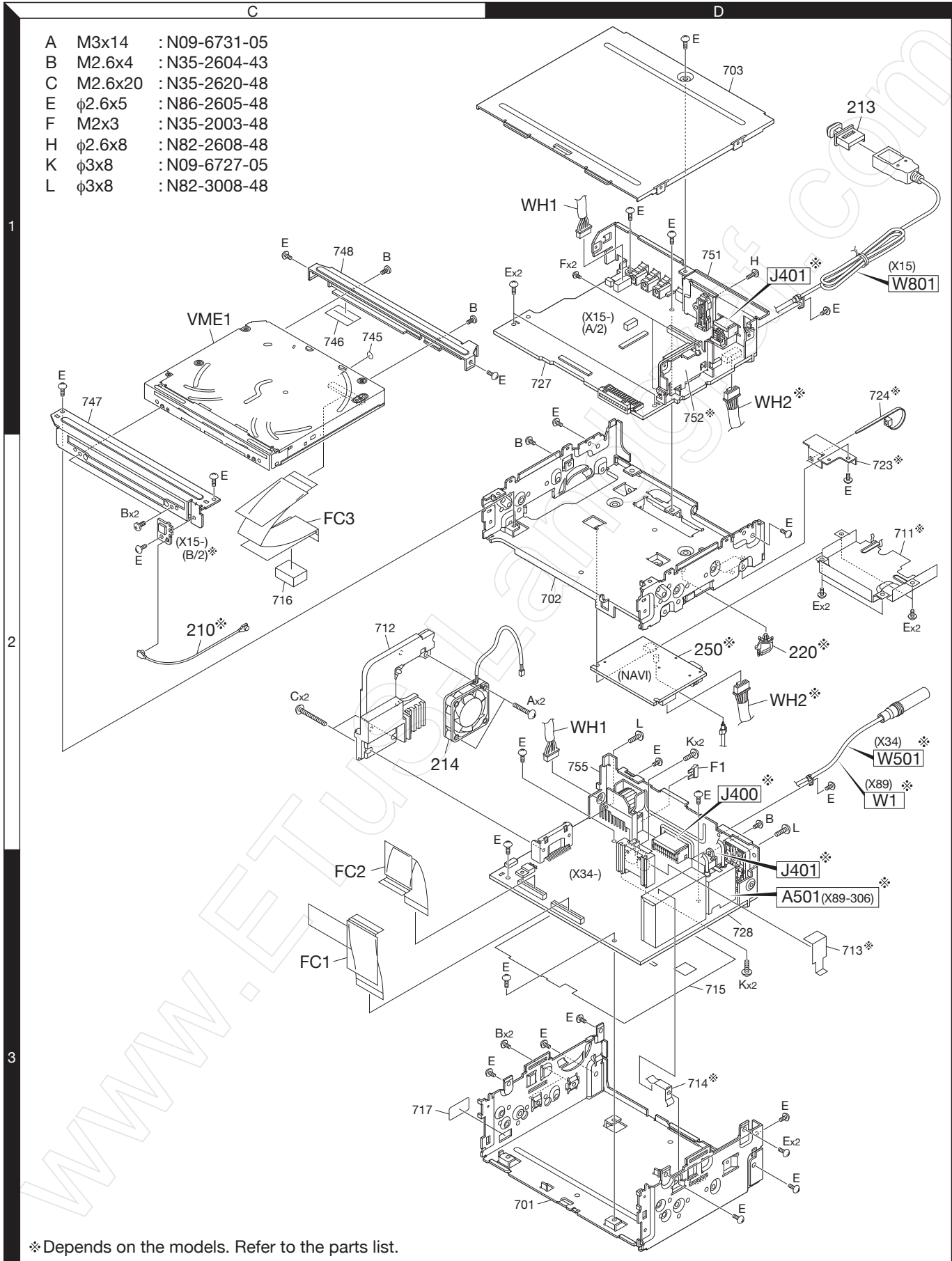


# EXPLODED VIEW (UNIT)

- A M3x14 : N09-6731-05
- B M2.6x4 : N35-2604-43
- C M2.6x20 : N35-2620-48
- E  $\phi$ 2.6x5 : N86-2605-48
- F M2x3 : N35-2003-48
- H  $\phi$ 2.6x8 : N82-2608-48
- K  $\phi$ 3x8 : N09-6727-05
- L  $\phi$ 3x8 : N82-3008-48



\* Depends on the models. Refer to the parts list.

Parts with the exploded numbers larger than 700 are not supplied.