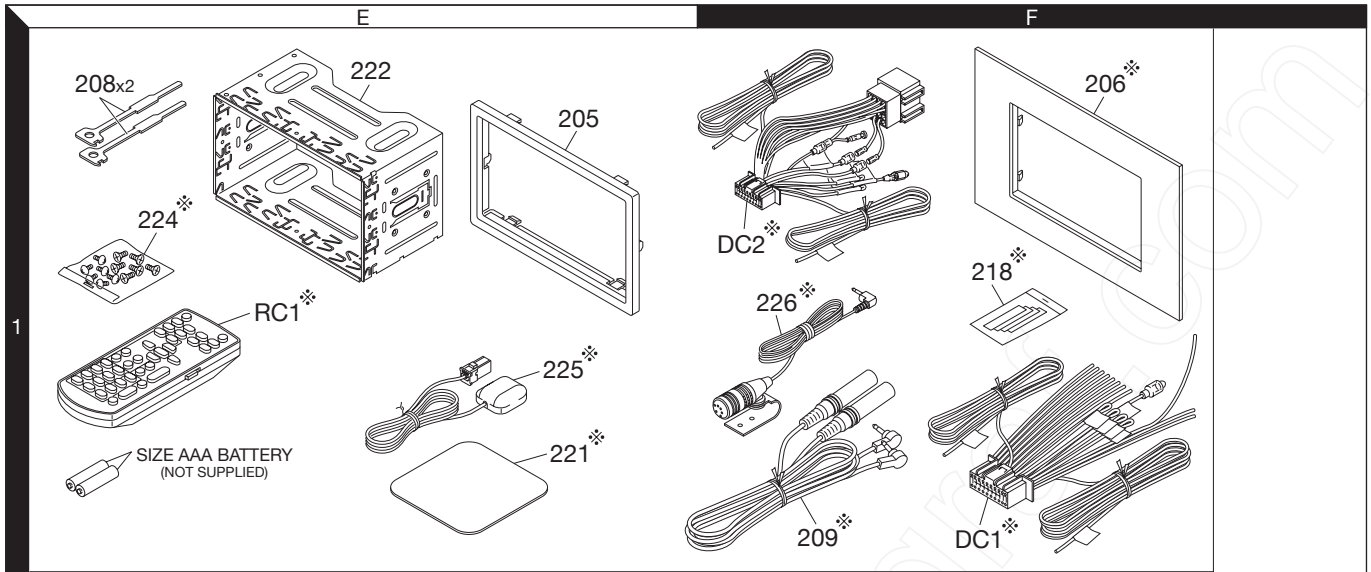
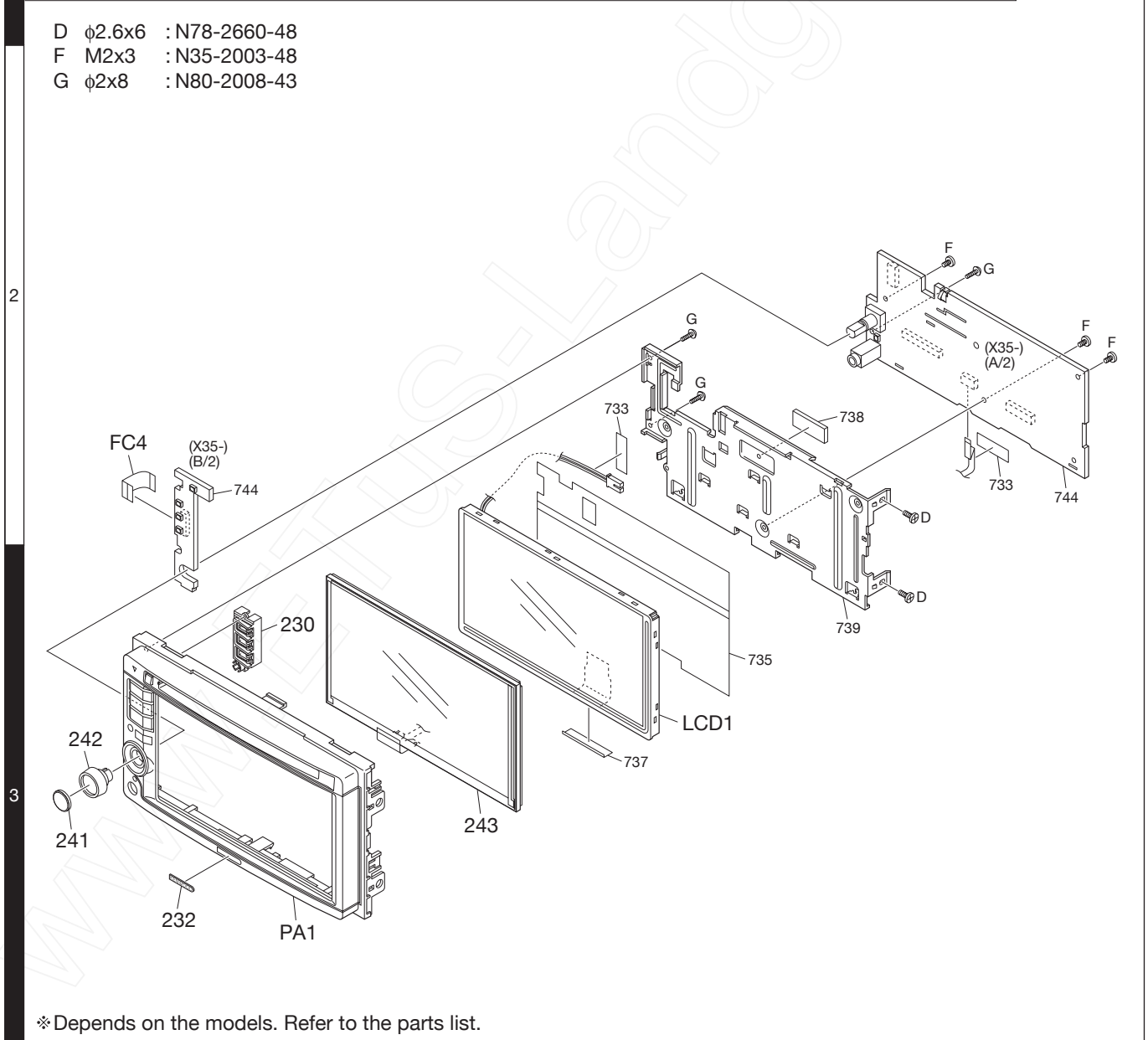


EXPLODED VIEW (PANEL MECHANISM)



- D ϕ 2.6x6 : N78-2660-48
- F M2x3 : N35-2003-48
- G ϕ 2x8 : N80-2008-43



*Depends on the models. Refer to the parts list.

Parts with the exploded numbers larger than 700 are not supplied.