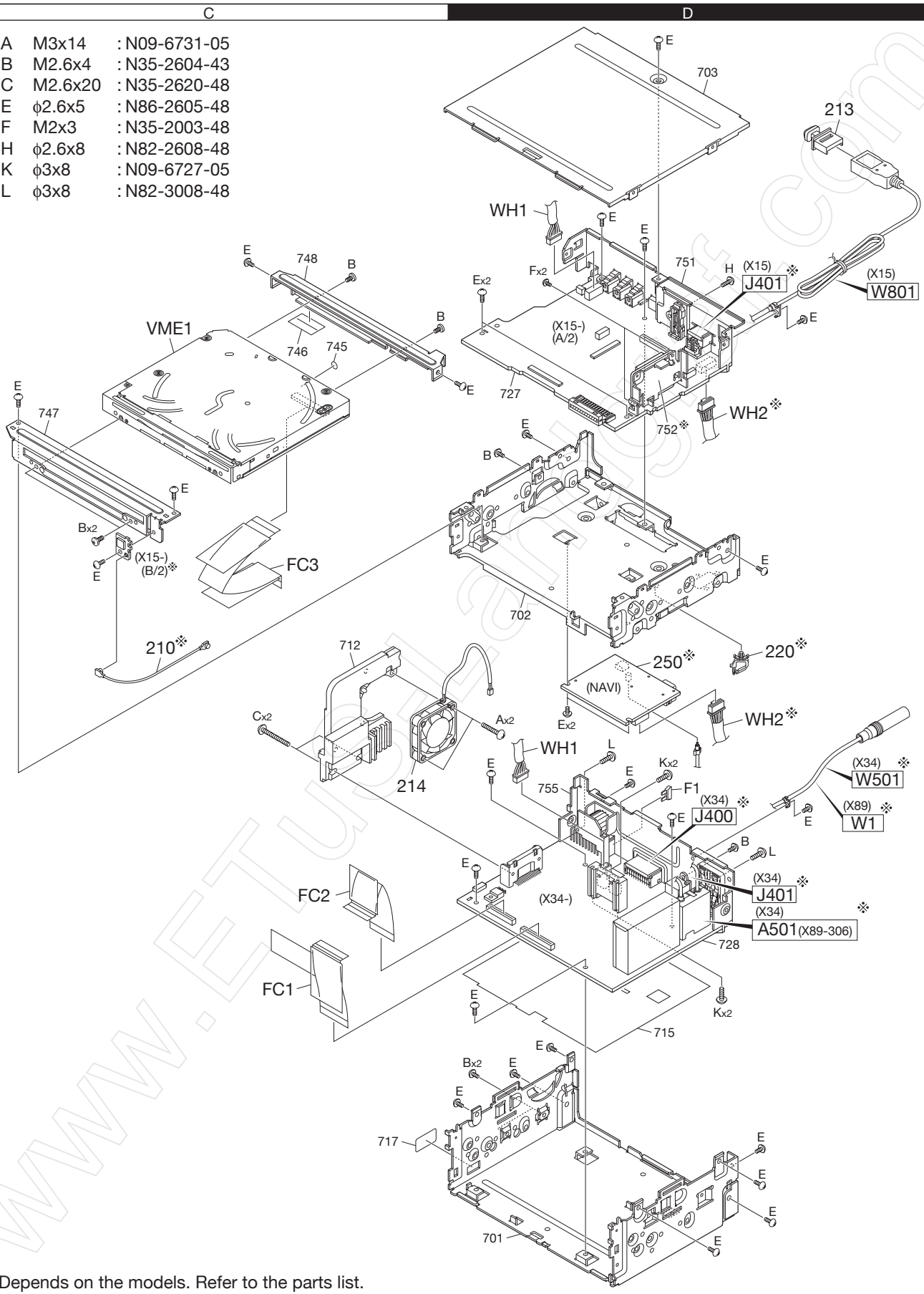


EXPLODED VIEW (UNIT)

- A M3x14 : N09-6731-05
- B M2.6x4 : N35-2604-43
- C M2.6x20 : N35-2620-48
- E ϕ 2.6x5 : N86-2605-48
- F M2x3 : N35-2003-48
- H ϕ 2.6x8 : N82-2608-48
- K ϕ 3x8 : N09-6727-05
- L ϕ 3x8 : N82-3008-48



※ Depends on the models. Refer to the parts list.

Parts with the exploded numbers larger than 700 are not supplied.