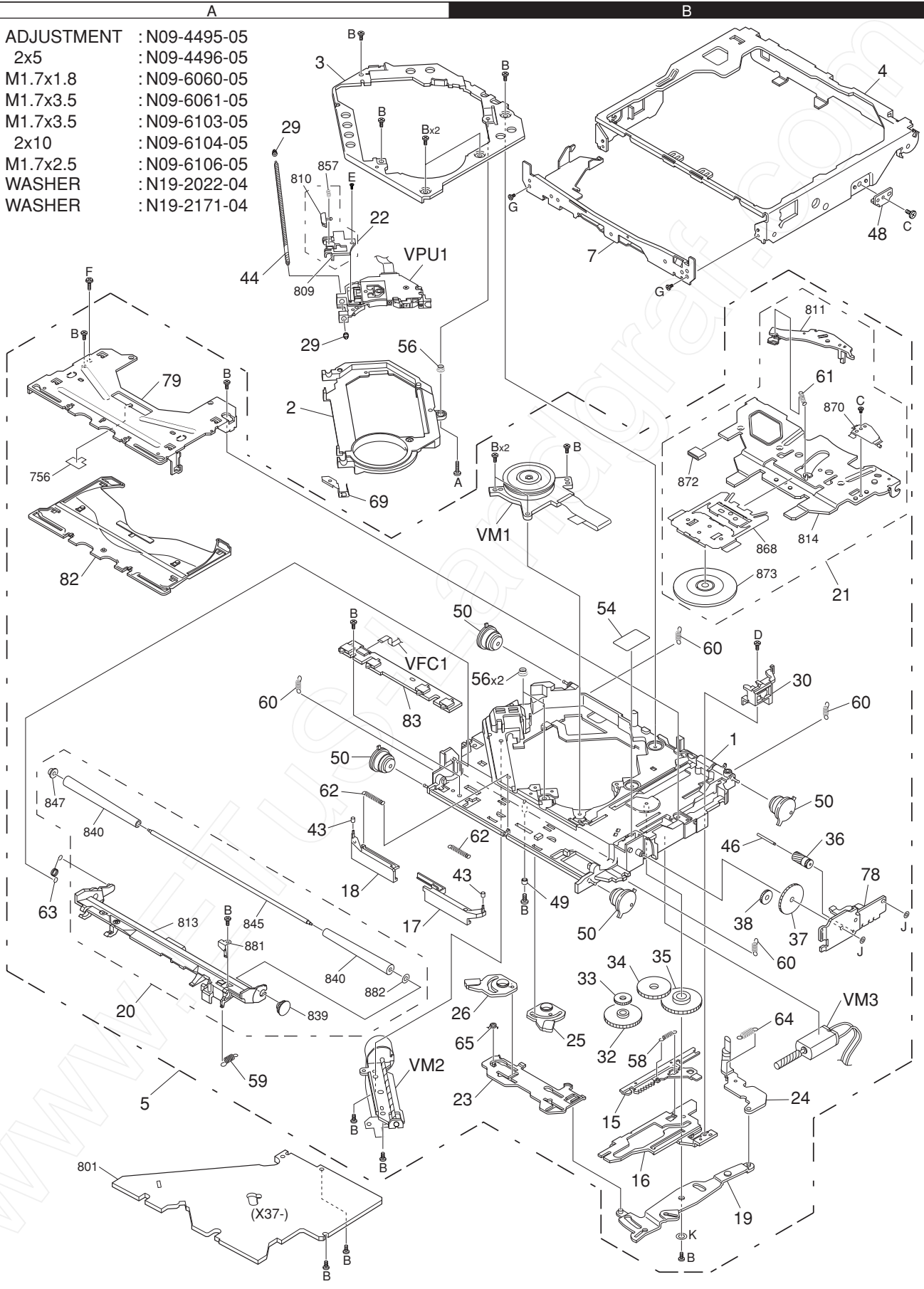


## EXPLODED VIEW (DVD MECHANISM)

- |   |            |              |
|---|------------|--------------|
| A | ADJUSTMENT | :N09-4495-05 |
| B | 2x5        | :N09-4496-05 |
| C | M1.7x1.8   | :N09-6060-05 |
| D | M1.7x3.5   | :N09-6061-05 |
| E | M1.7x3.5   | :N09-6103-05 |
| F | 2x10       | :N09-6104-05 |
| G | M1.7x2.5   | :N09-6106-05 |
| J | WASHER     | :N19-2022-04 |
| K | WASHER     | :N19-2171-04 |



Parts with the exploded numbers larger than 700 are not supplied.