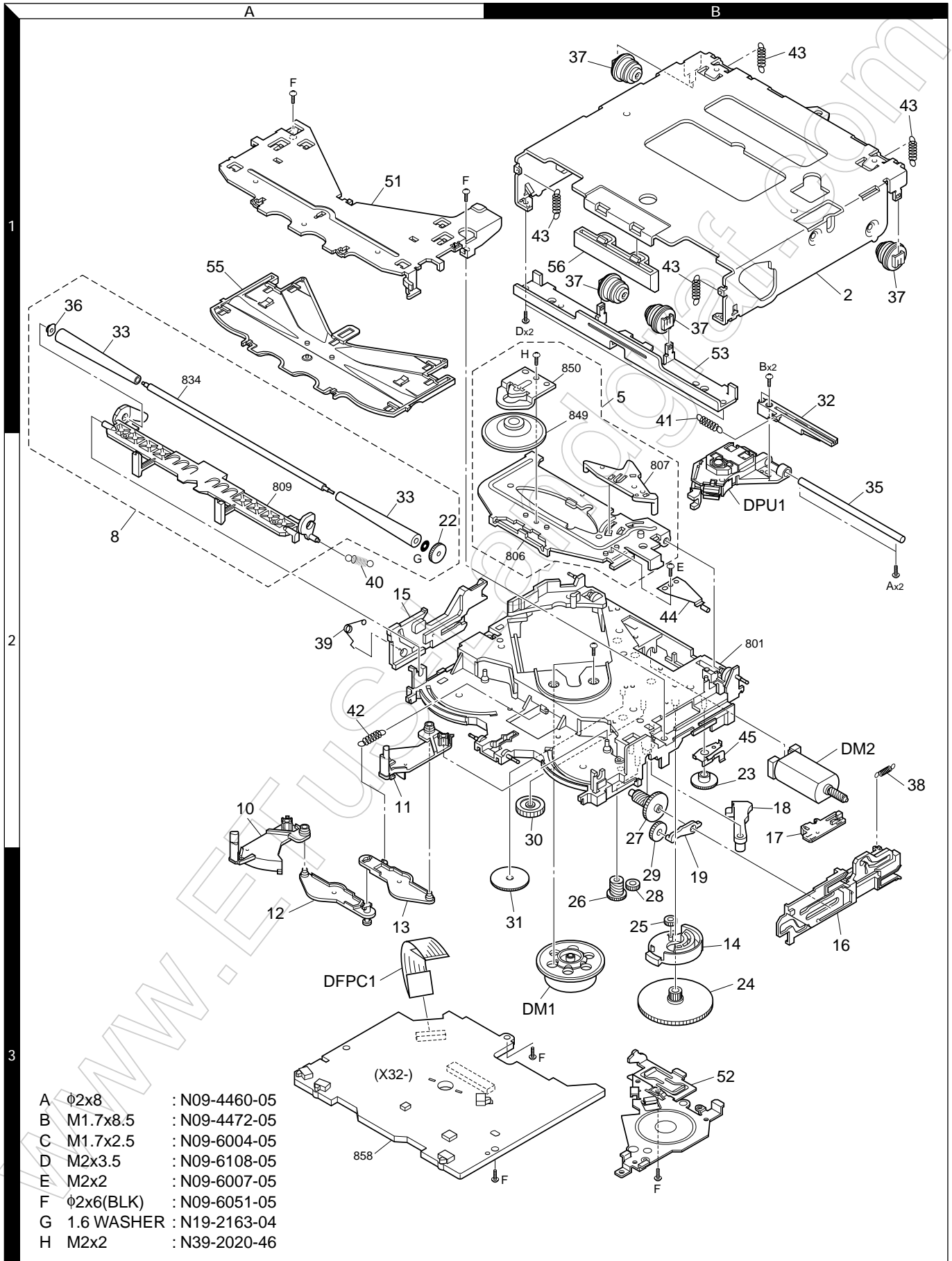


EXPLODED VIEW (MECHANISM)



A	Φ2x8	: N09-4460-05
B	M1.7x8.5	: N09-4472-05
C	M1.7x2.5	: N09-6004-05
D	M2x3.5	: N09-6108-05
E	M2x2	: N09-6007-05
F	Φ2x6(BLK)	: N09-6051-05
G	1.6 WASHER	: N19-2163-04
H	M2x2	: N39-2020-46

Parts with the exploded numbers larger than 700 are not supplied.