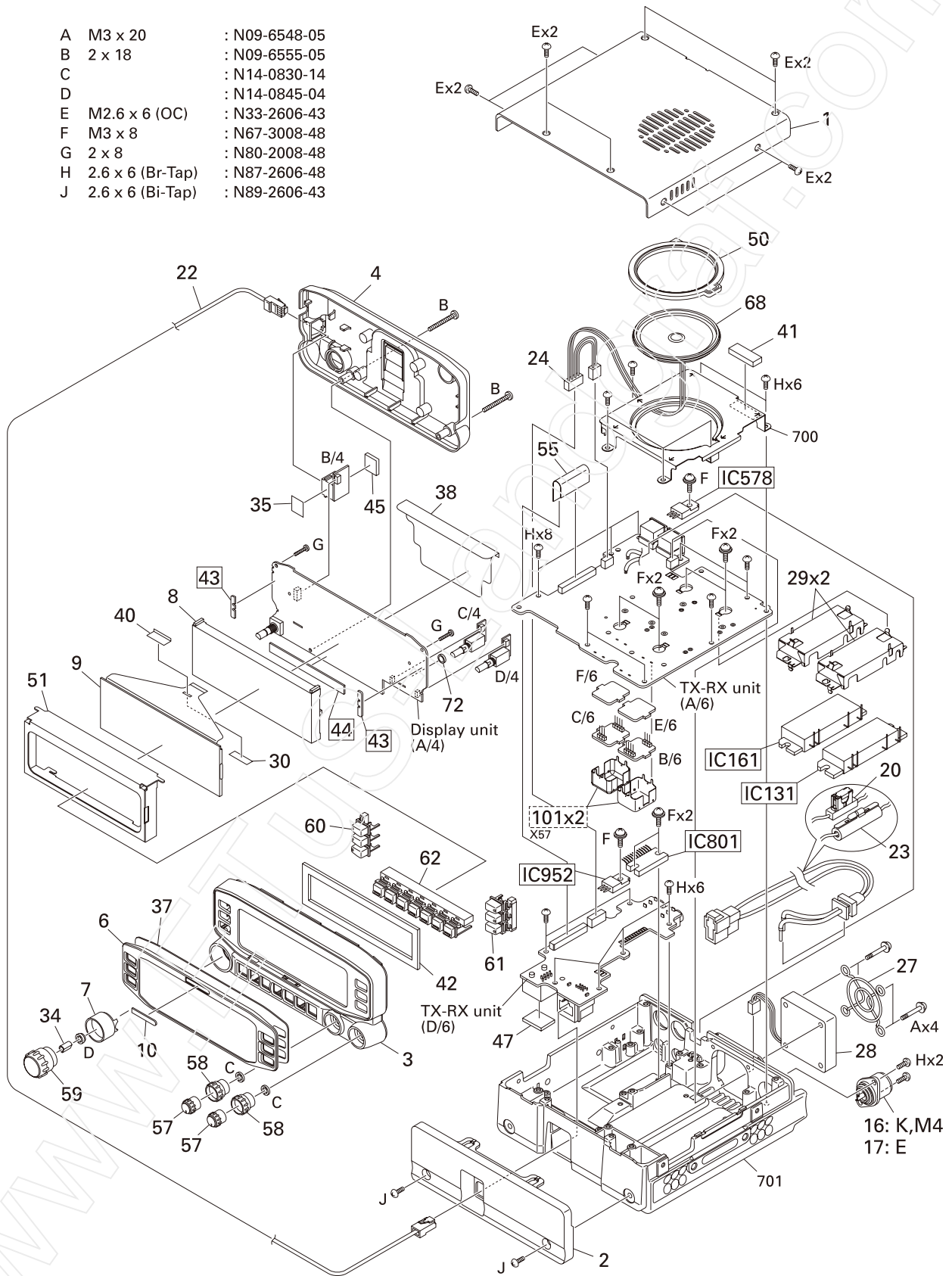


# TM-D710A/D710E

## EXPLODED VIEW

A	M3 x 20	:	N09-6548-05
B	2 x 18	:	N09-6555-05
C		:	N14-0830-14
D		:	N14-0845-04
E	M2.6 x 6 (OC)	:	N33-2606-43
F	M3 x 8	:	N67-3008-48
G	2 x 8	:	N80-2008-48
H	2.6 x 6 (Br-Tap)	:	N87-2606-48
J	2.6 x 6 (Bi-Tap)	:	N89-2606-43



Parts with the exploded numbers larger than 700 are not supplied.  
 If a part reference number is listed in a box on the exploded view of the PCB, that part does not come with the PCB. These parts must be ordered separately.

## PACKING

