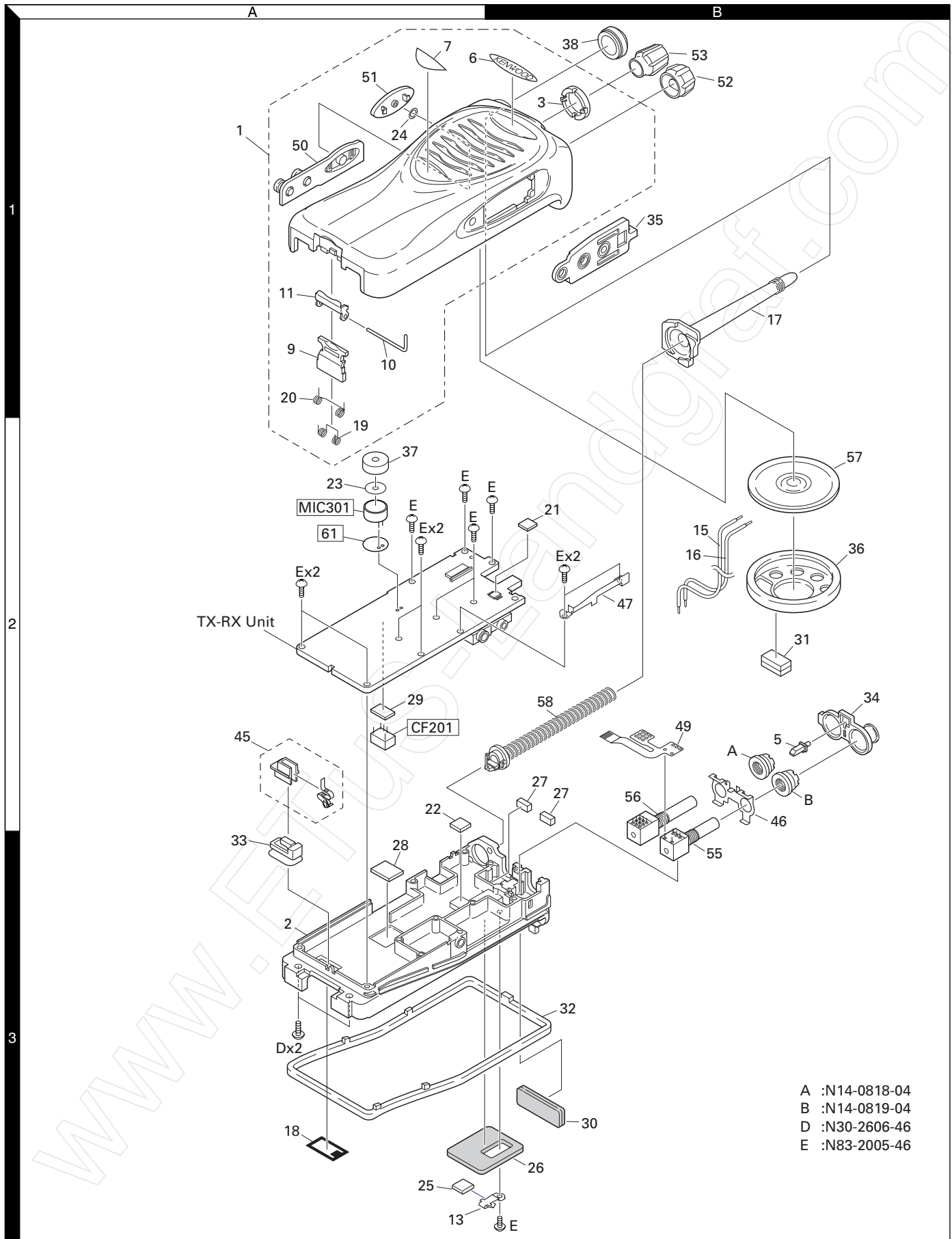


TK-3201

EXPLODED VIEW



- A :N14-0818-04
- B :N14-0819-04
- D :N30-2606-46
- E :N83-2005-46