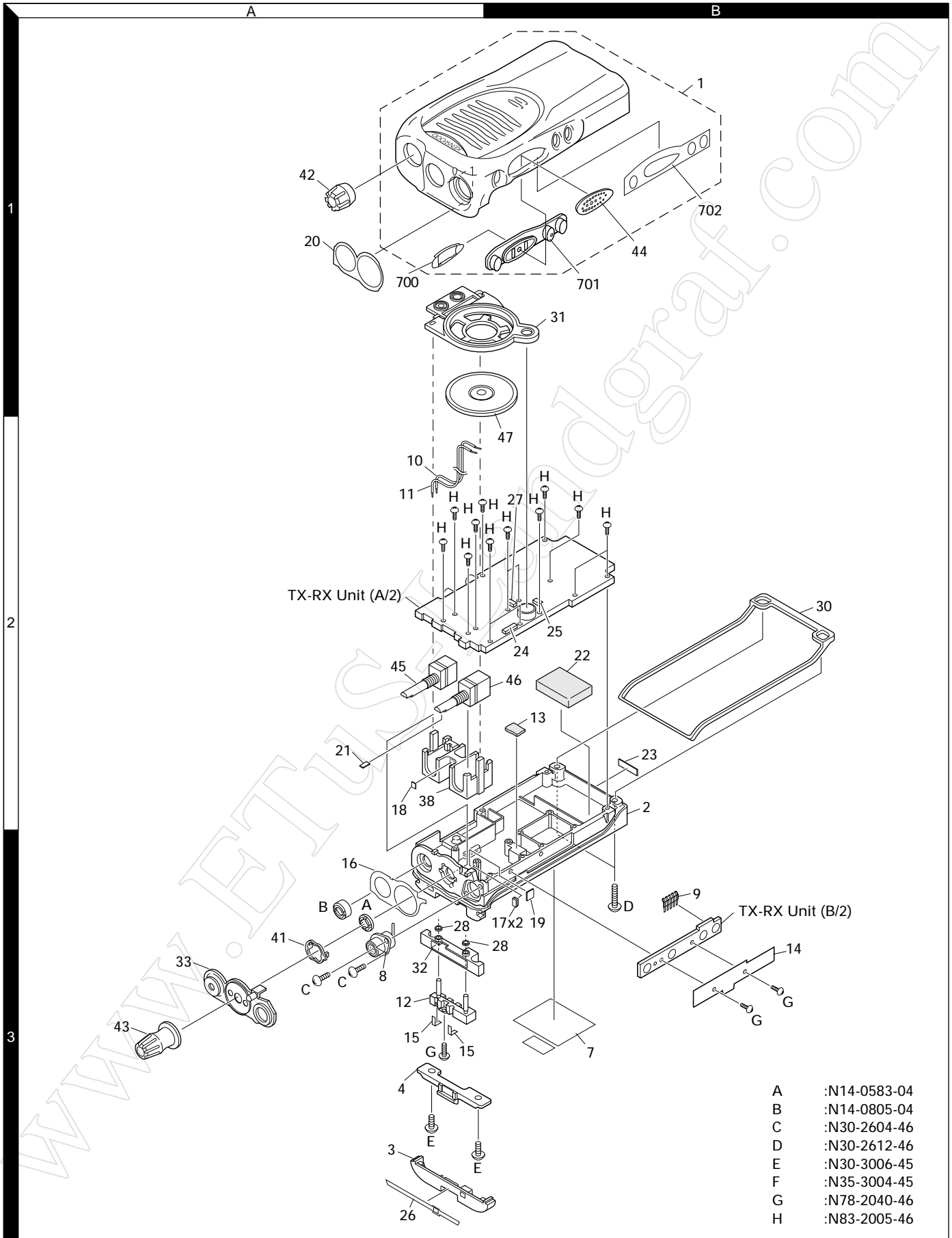


## EXPLODED VIEW



- A :N14-0583-04
- B :N14-0805-04
- C :N30-2604-46
- D :N30-2612-46
- E :N30-3006-45
- F :N35-3004-45
- G :N78-2040-46
- H :N83-2005-46