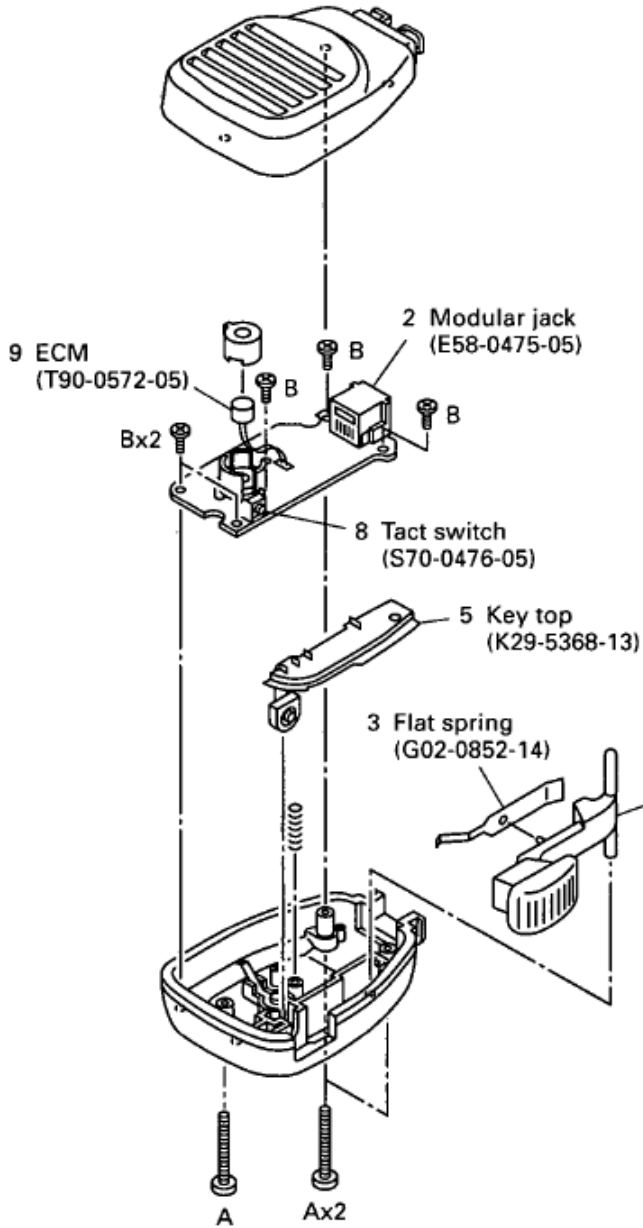
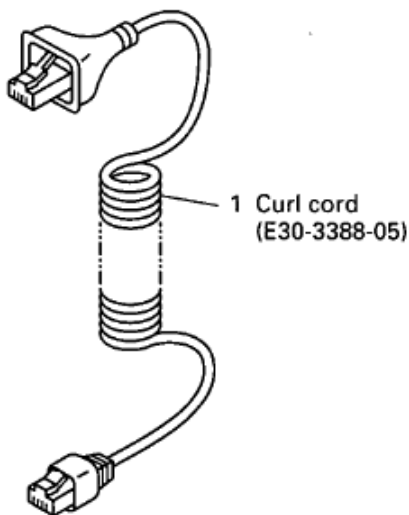
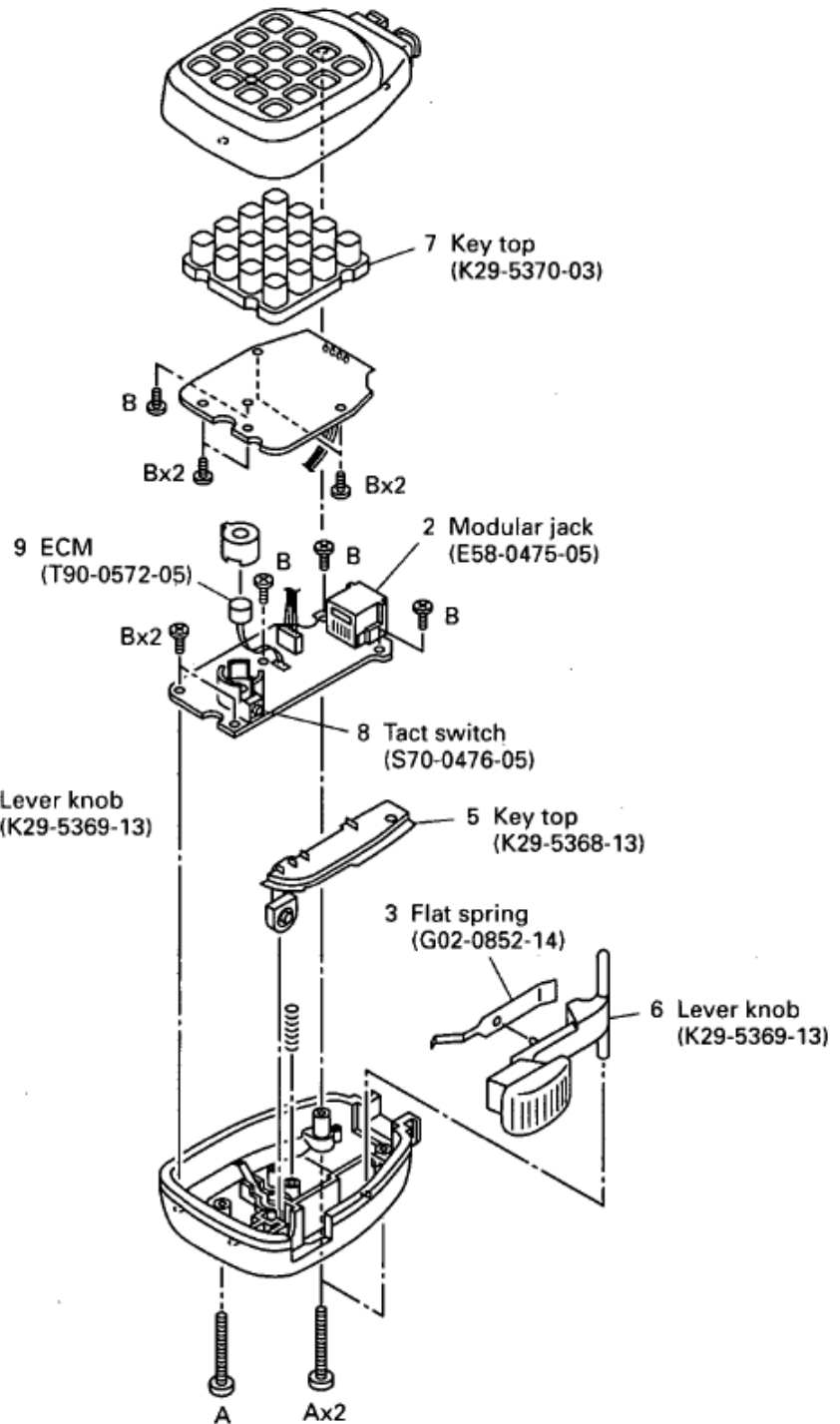


EXPLODED VIEW

KMC-30



KMC-32



A $\phi 3 \times 20$ BLK : N83-3020-45
 B M2 x 5 (Bi-Tap) : N89-2005-46

