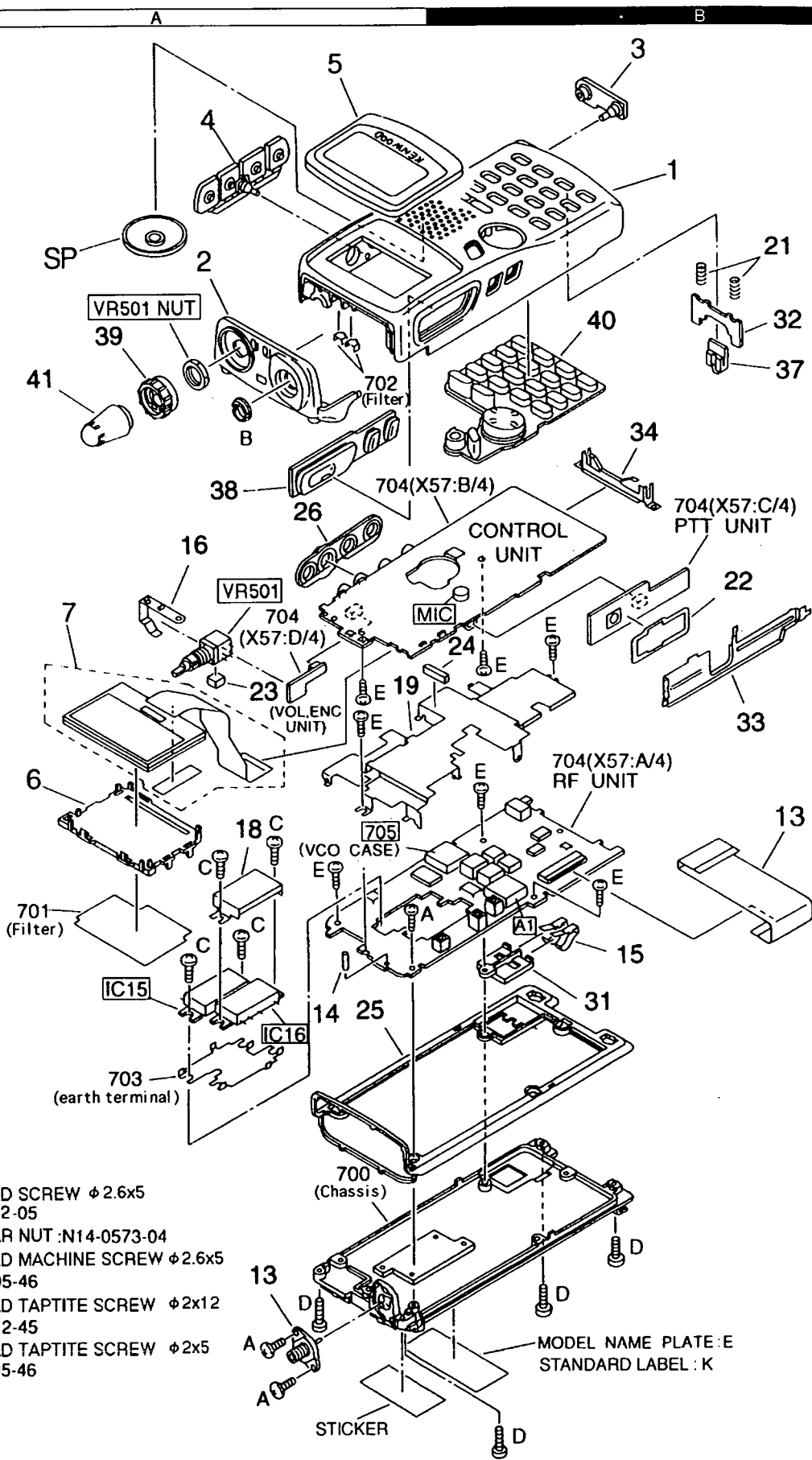


## EXPLODED VIEW



- A PAN HEAD SCREW  $\phi$  2.6x5  
:N09-1492-05
- B CIRCULAR NUT :N14-0573-04
- C PAN HEAD MACHINE SCREW  $\phi$  2.6x5  
:N30-2605-46
- D PAN HEAD TAPTITE SCREW  $\phi$  2x12  
:N80-2012-45
- E PAN HEAD TAPTITE SCREW  $\phi$  2x5  
:N83-2005-46

Parts with exploded numbers larger than 700 are not supplied. 23