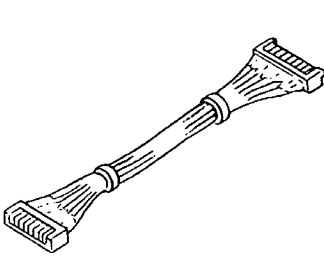
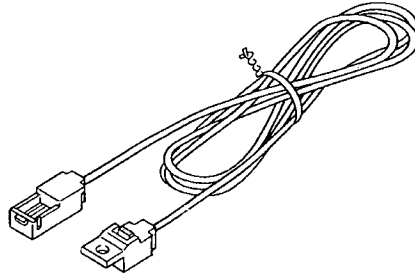


## ADJUSTMENT

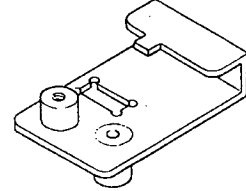
### Adjustment Jig (\* : New parts)



**A** Cable with connector (7 pin)  
(Use with TM-732)

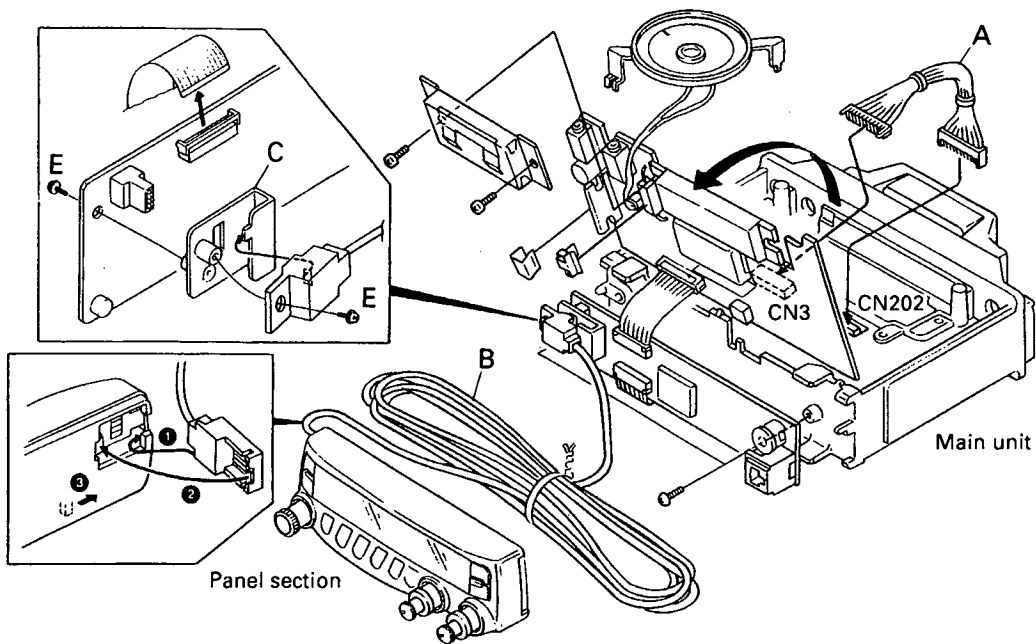


**B** Panel cable (3m)\*  
(E30-3189-05)



**C** Panel cable mounting hardware\*  
(J21-4475-04)

### How to Use



**E** : Screw (M2.6 x 6)  
(N09-2241-05 etc.)

