

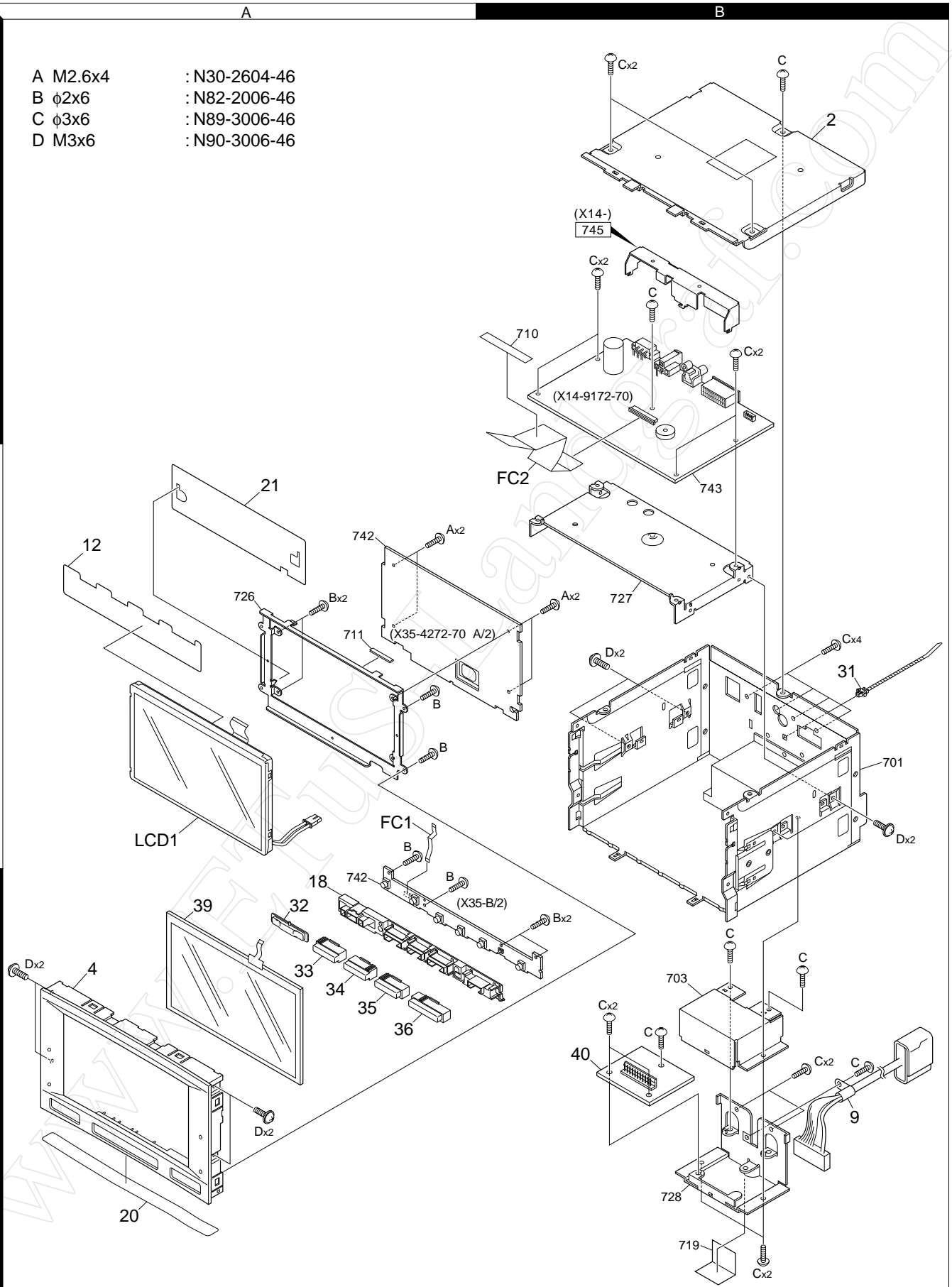
EXPLODED VIEW

A	M2.6x4	:	N30-2604-46
B	φ2x6	:	N82-2006-46
C	φ3x6	:	N89-3006-46
D	M3x6	:	N90-3006-46

1

2

3



Parts with the exploded numbers larger than 700 are not supplied.