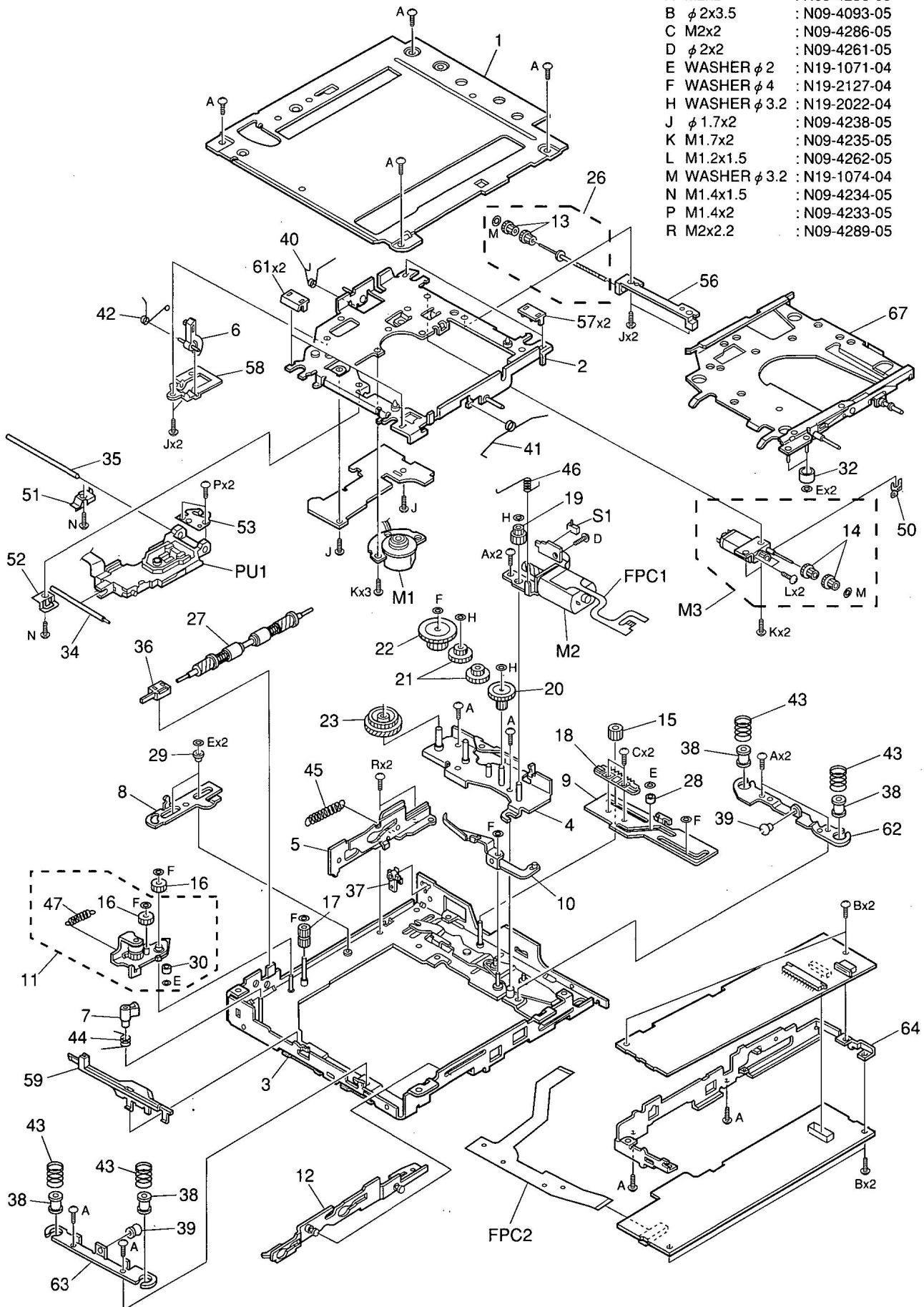


# EXPLODED VIEW (MECHANISM)

A

B

- |   |              |               |
|---|--------------|---------------|
| A | M2x2         | : N09-4236-05 |
| B | φ 2x3.5      | : N09-4093-05 |
| C | M2x2         | : N09-4286-05 |
| D | φ 2x2        | : N09-4261-05 |
| E | WASHER φ 2   | : N19-1071-04 |
| F | WASHER φ 4   | : N19-2127-04 |
| H | WASHER φ 3.2 | : N19-2022-04 |
| J | φ 1.7x2      | : N09-4238-05 |
| K | M1.7x2       | : N09-4235-05 |
| L | M1.2x1.5     | : N09-4262-05 |
| M | WASHER φ 3.2 | : N19-1074-04 |
| N | M1.4x1.5     | : N09-4234-05 |
| P | M1.4x2       | : N09-4233-05 |
| R | M2x2.2       | : N09-4289-05 |



2

3

Parts with the exploded numbers larger than 700 are not supplied.