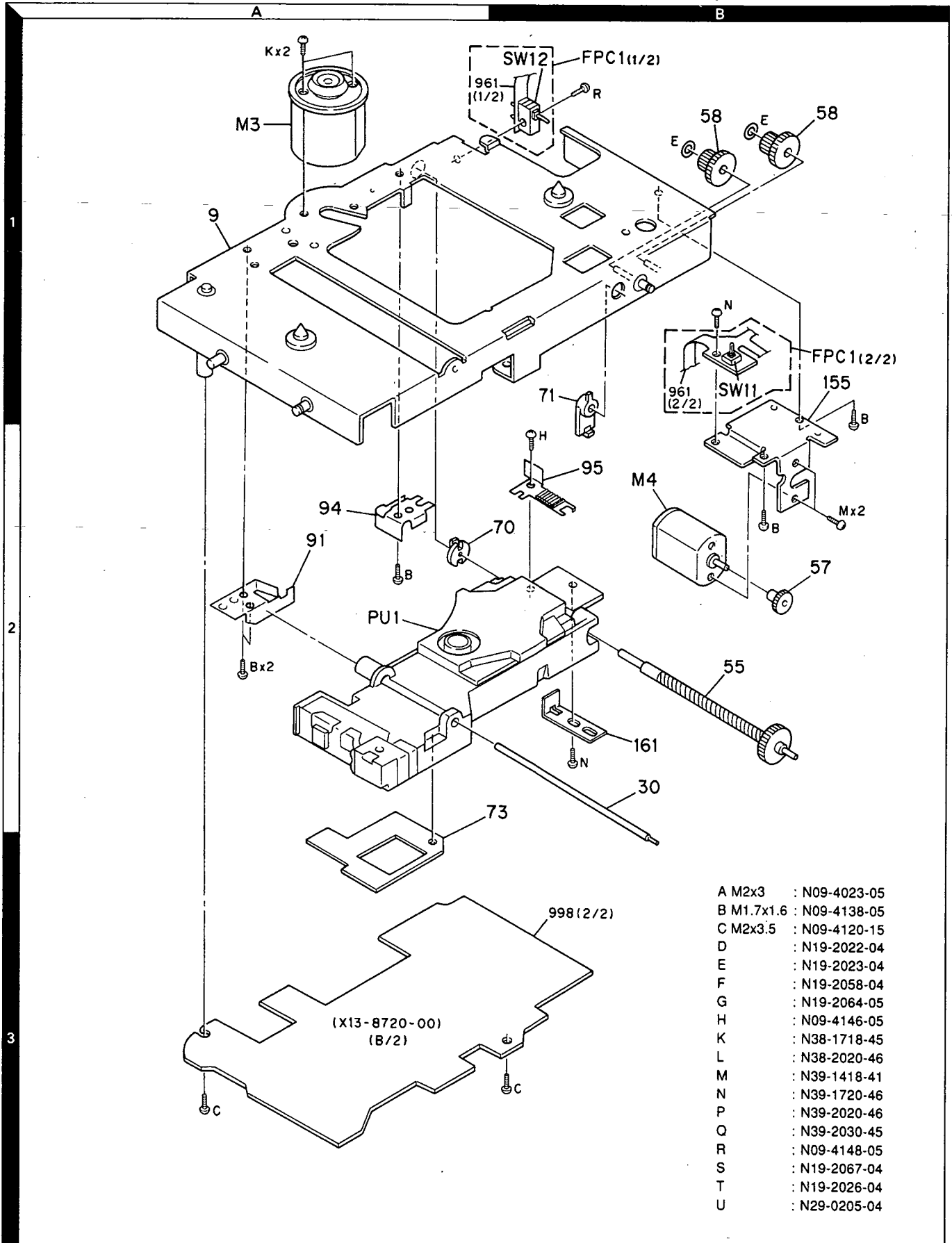


EXPLODED VIEW (MECHANISM)



A	M2x3	:	N09-4023-05
B	M1.7x1.6	:	N09-4138-05
C	M2x3.5	:	N09-4120-15
D		:	N19-2022-04
E		:	N19-2023-04
F		:	N19-2058-04
G		:	N19-2064-05
H		:	N09-4146-05
K		:	N38-1718-45
L		:	N38-2020-46
M		:	N39-1418-41
N		:	N39-1720-46
P		:	N39-2020-46
Q		:	N39-2030-45
R		:	N09-4148-05
S		:	N19-2067-04
T		:	N19-2026-04
U		:	N29-0205-04

Parts with the exploded numbers larger than 700 are not supplied.