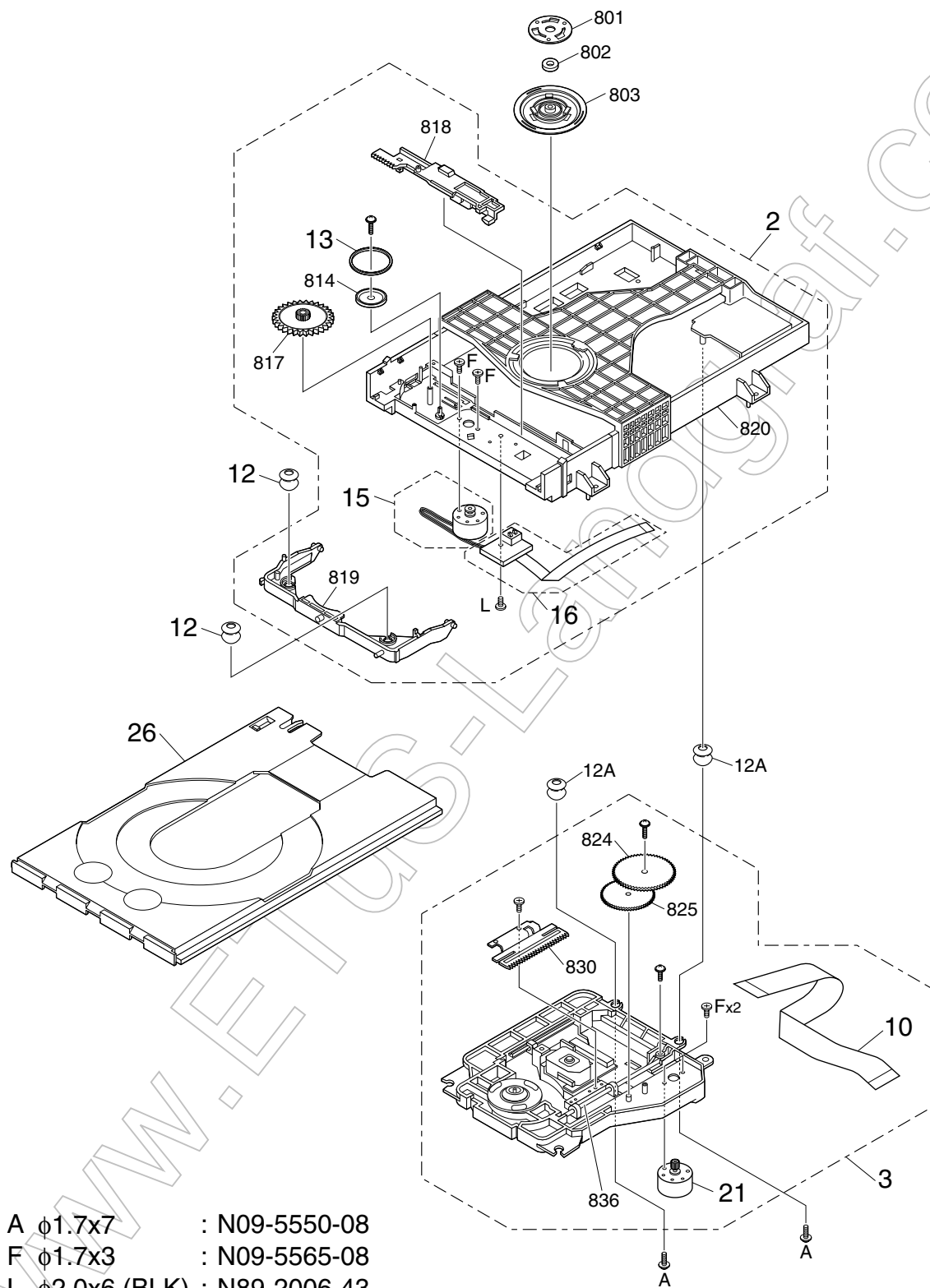


DVF-3300

EXPLODED VIEW (MECHANISM)



A $\phi 1.7 \times 7$: N09-5550-08
 F $\phi 1.7 \times 3$: N09-5565-08
 L $\phi 2.0 \times 6$ (BLK) : N89-2006-43

DVF-3300