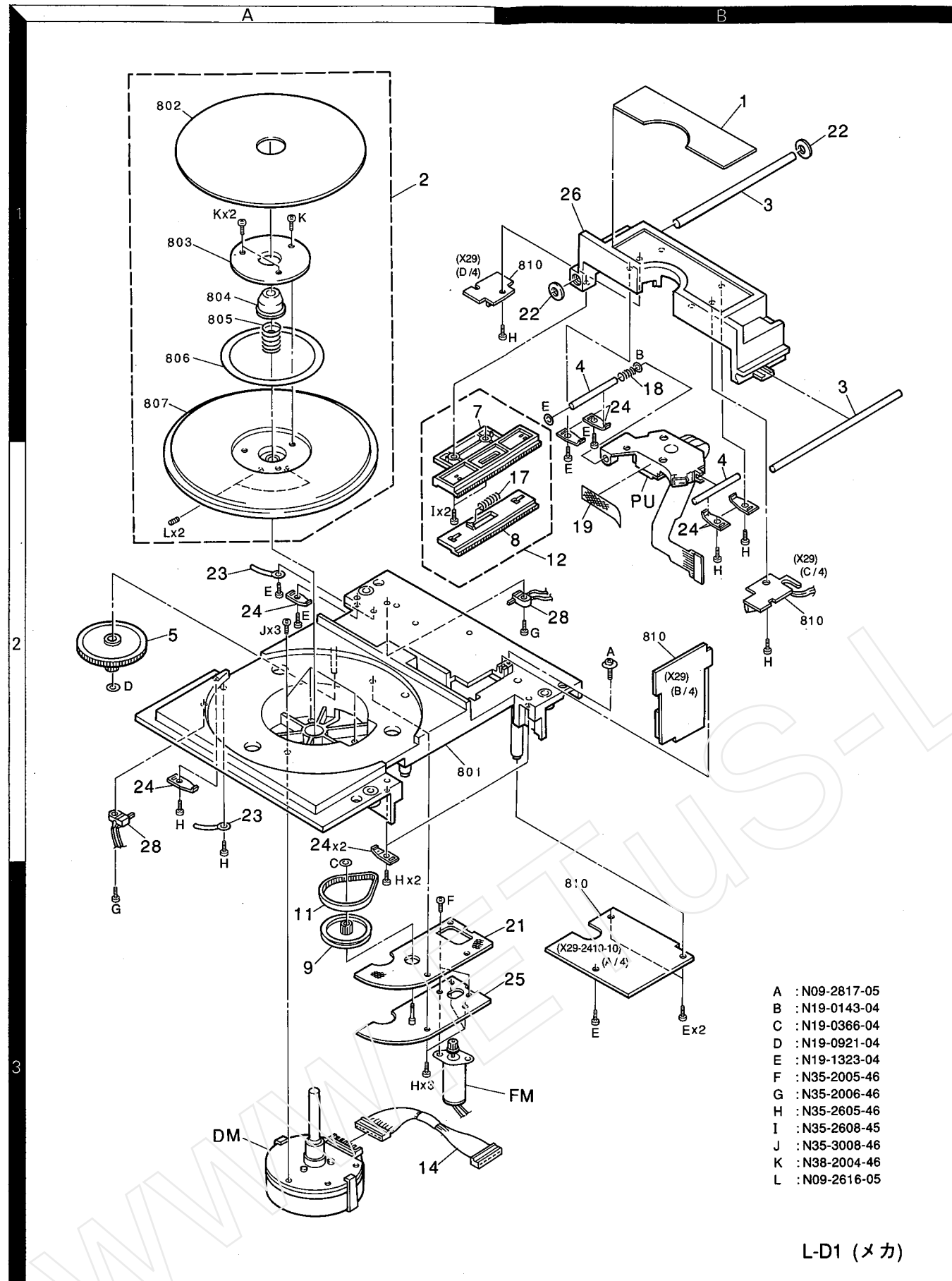


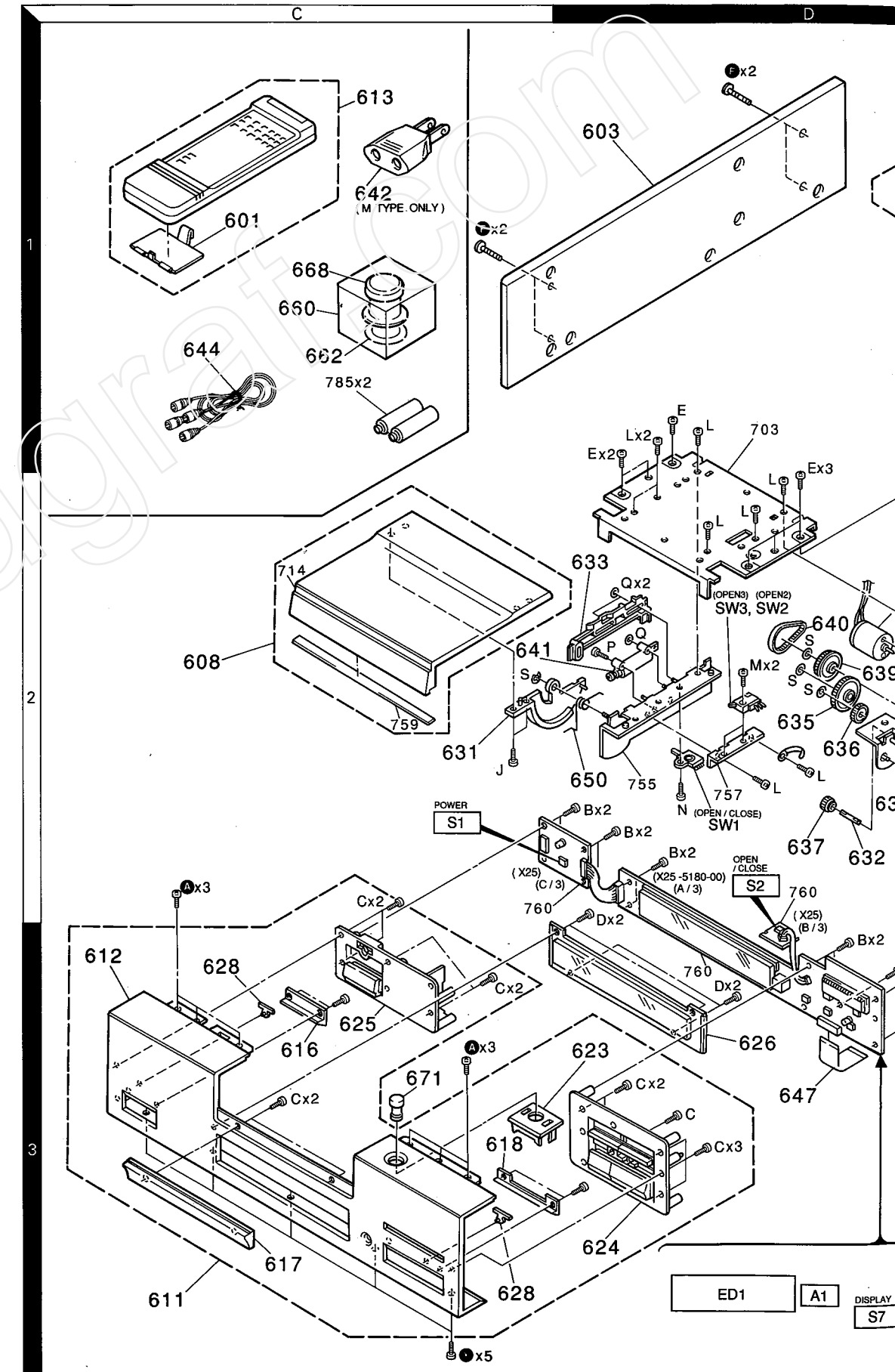
EXPLODED VIEW (MECHANISM)



- A : N09-2817-05
- B : N19-0143-04
- C : N19-0366-04
- D : N19-0921-04
- E : N19-1323-04
- F : N35-2005-46
- G : N35-2006-46
- H : N35-2605-46
- I : N35-2608-45
- J : N35-3008-46
- K : N38-2004-46
- L : N09-2616-05

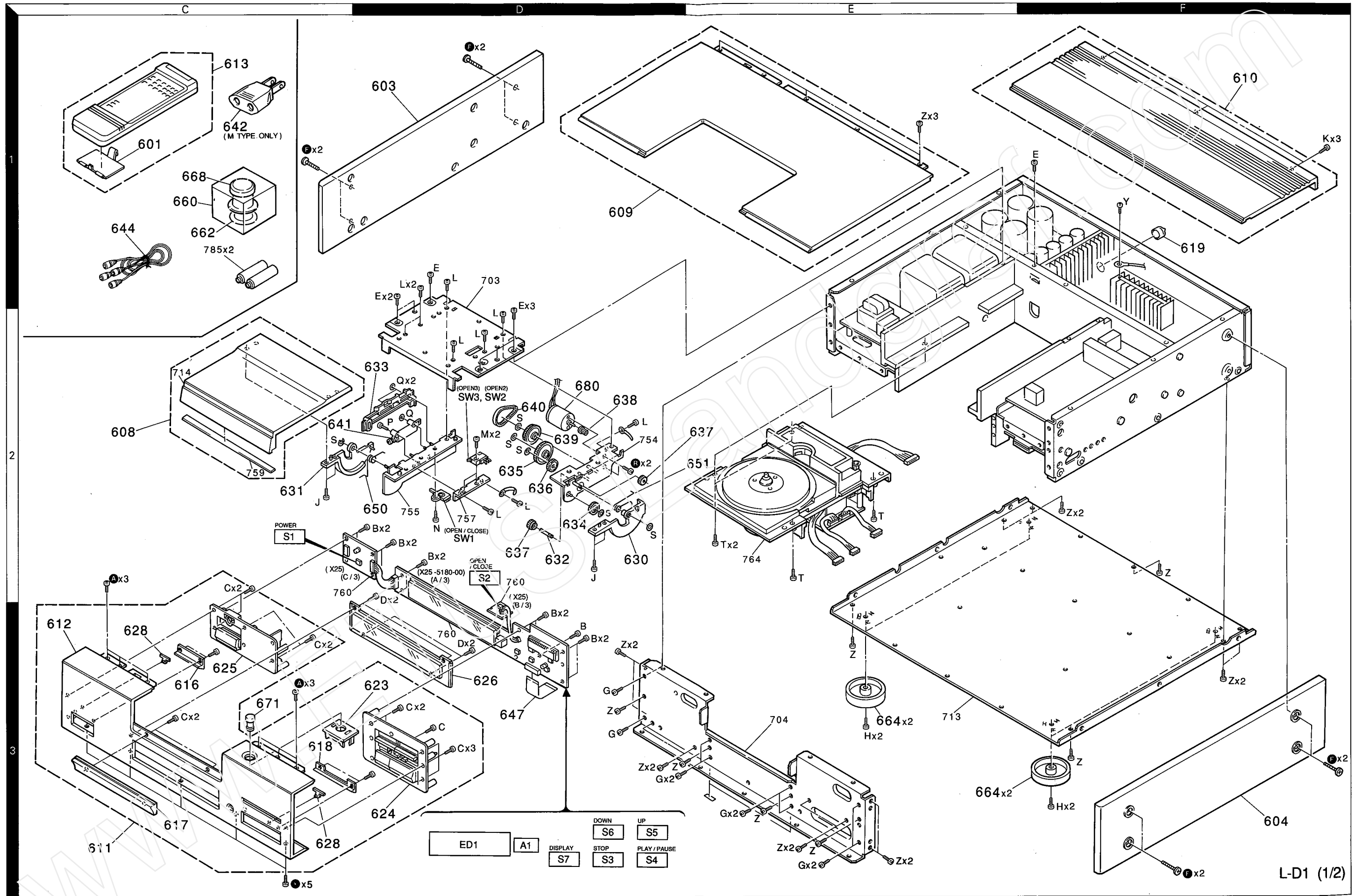
L-D1 (メカ)

Parts with the exploded numbers larger than 700 are not supplied.

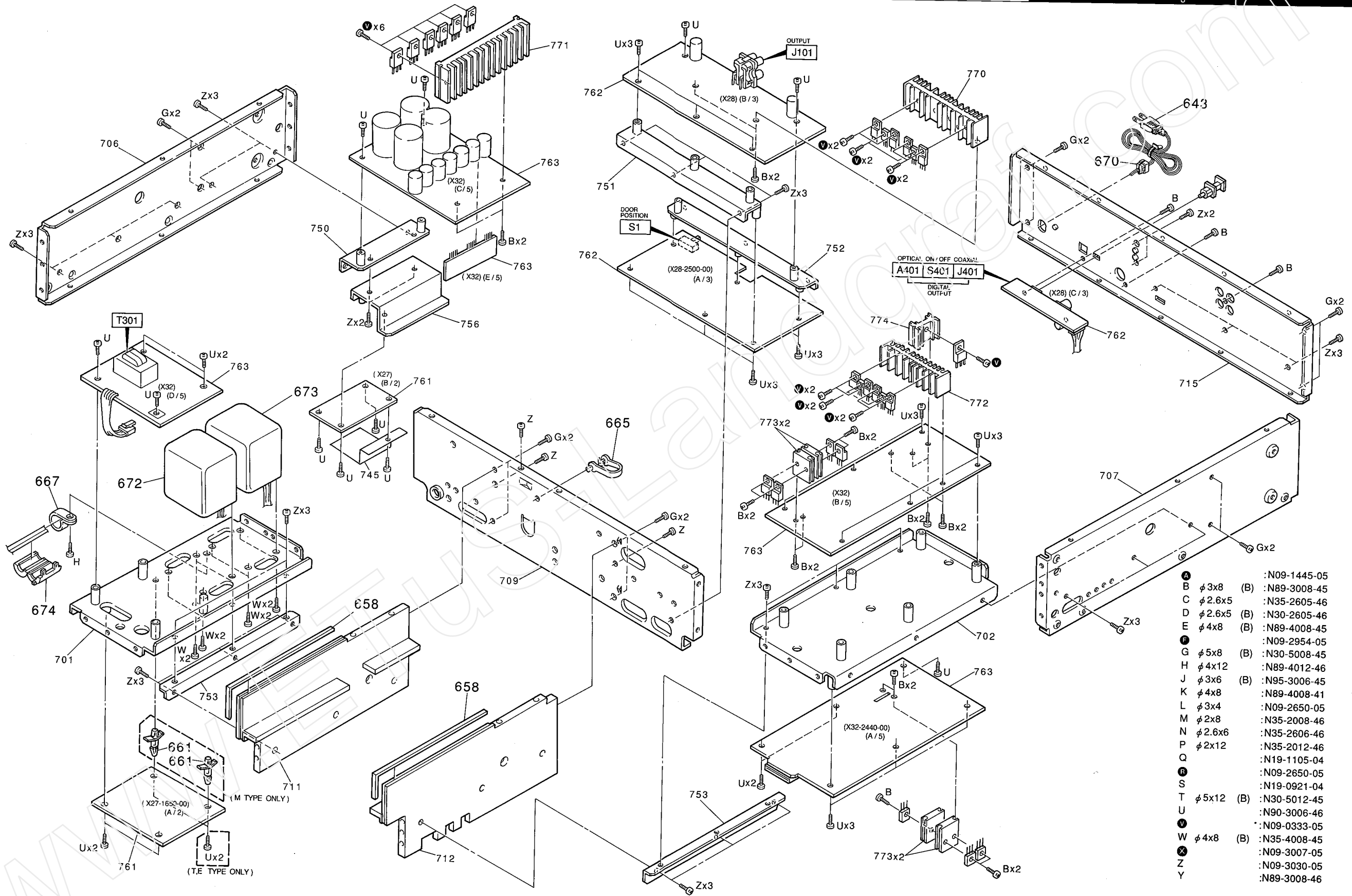


ED1 A1 DISPLAY
S7

EXPLODED VIEW (UNIT)



L-D1 L-D1 EXPLODED VIEW (UNIT)



A	φ 3x8	(B)	:N09-1445-05
B	φ 3x8	(B)	:N89-3008-45
C	φ 2.6x5		:N35-2605-46
D	φ 2.6x5	(B)	:N30-2605-46
E	φ 4x8	(B)	:N89-4008-45
F			:N09-2954-05
G	φ 5x8	(B)	:N30-5008-45
H	φ 4x12		:N89-4012-46
J	φ 3x6	(B)	:N95-3006-45
K	φ 4x8		:N89-4008-41
L	φ 3x4		:N09-2650-05
M	φ 2x8		:N35-2008-46
N	φ 2.6x6		:N35-2606-46
P	φ 2x12		:N35-2012-46
Q			:N19-1105-04
R			:N09-2650-05
S			:N19-0921-04
T	φ 5x12	(B)	:N30-5012-45
U			:N90-3006-46
V			:N09-0333-05
W	φ 4x8	(B)	:N35-4008-45
X			:N09-3007-05
Z			:N09-3030-05
Y			:N89-3008-46

Parts with the exploded numbers larger than 700 are not supplied.