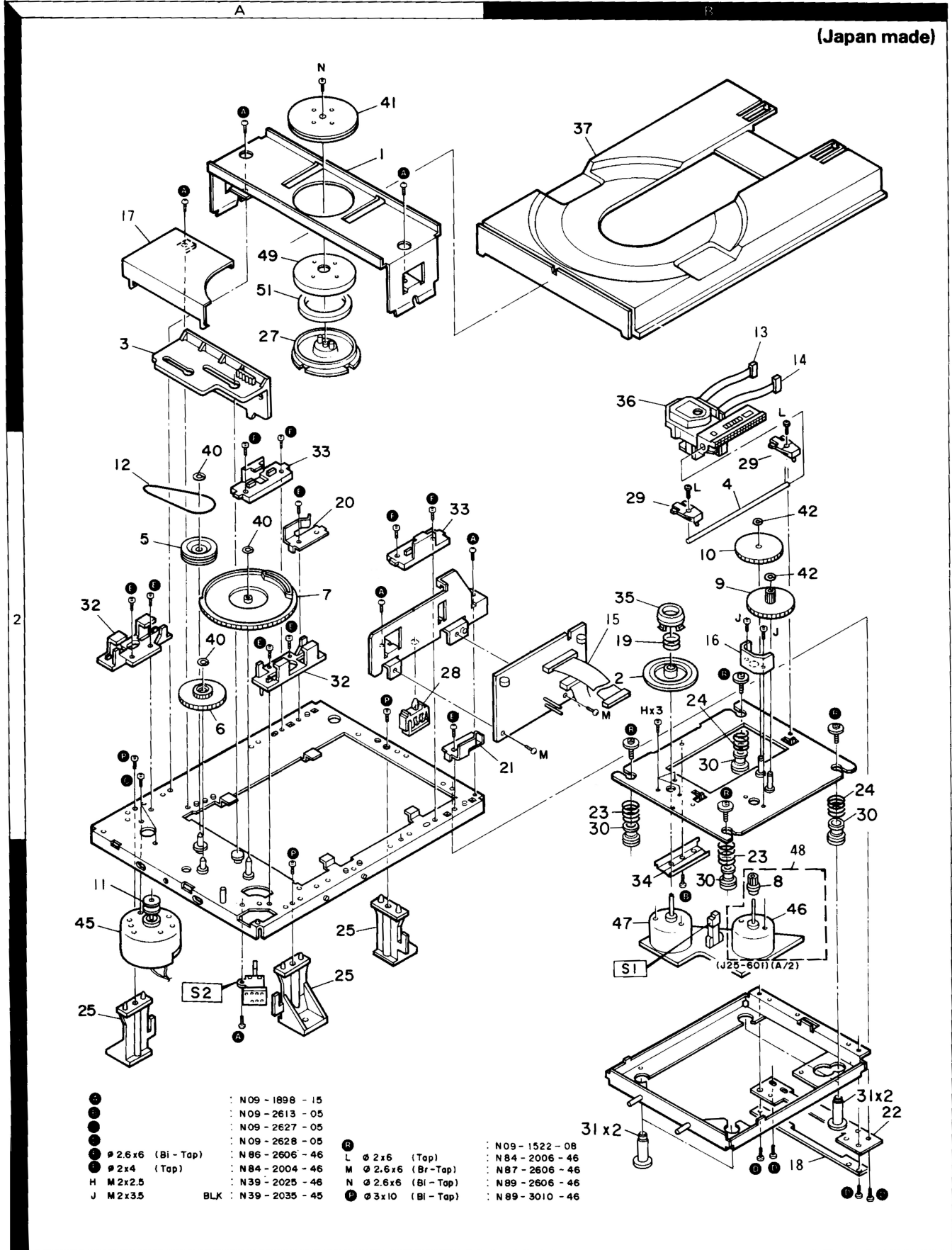


DP-1510

EXPLODED VIEW (MECHANISM)

(Japan made)

JAPAN MADE



- | | | | |
|---|-------------|---|-------------|
| ● | N09-1898-15 | ● | N09-1522-08 |
| ● | N09-2613-05 | ● | N84-2006-46 |
| ● | N09-2627-05 | ● | N87-2606-46 |
| ● | N09-2628-05 | ● | N89-2606-46 |
| ● | N86-2606-46 | ● | N89-3010-46 |
| ● | N84-2004-46 | | |
| ● | N39-2025-46 | | |
| ● | N39-2035-45 | | |
| ● | | ● | |
- $\varnothing 2.6 \times 6$ (Bl-Tap)
 ● $\varnothing 2 \times 4$ (Tap)
 H M2x2.5
 J M2x3.5
- $\varnothing 2 \times 6$ (Top)
 M $\varnothing 2.6 \times 6$ (Br-Tap)
 N $\varnothing 2.6 \times 6$ (Bl-Tap)
 ● $\varnothing 3 \times 10$ (Bl-Tap)