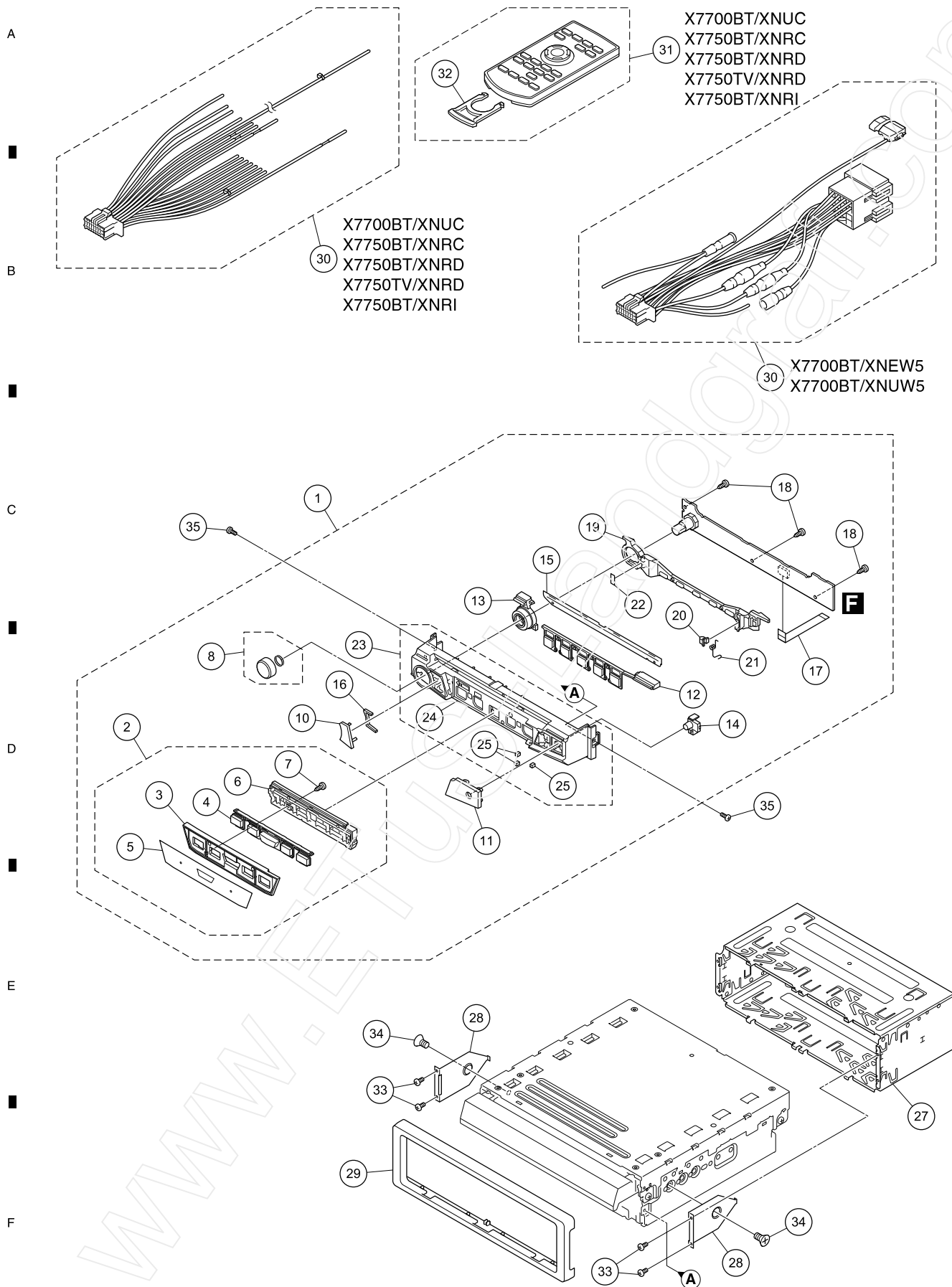
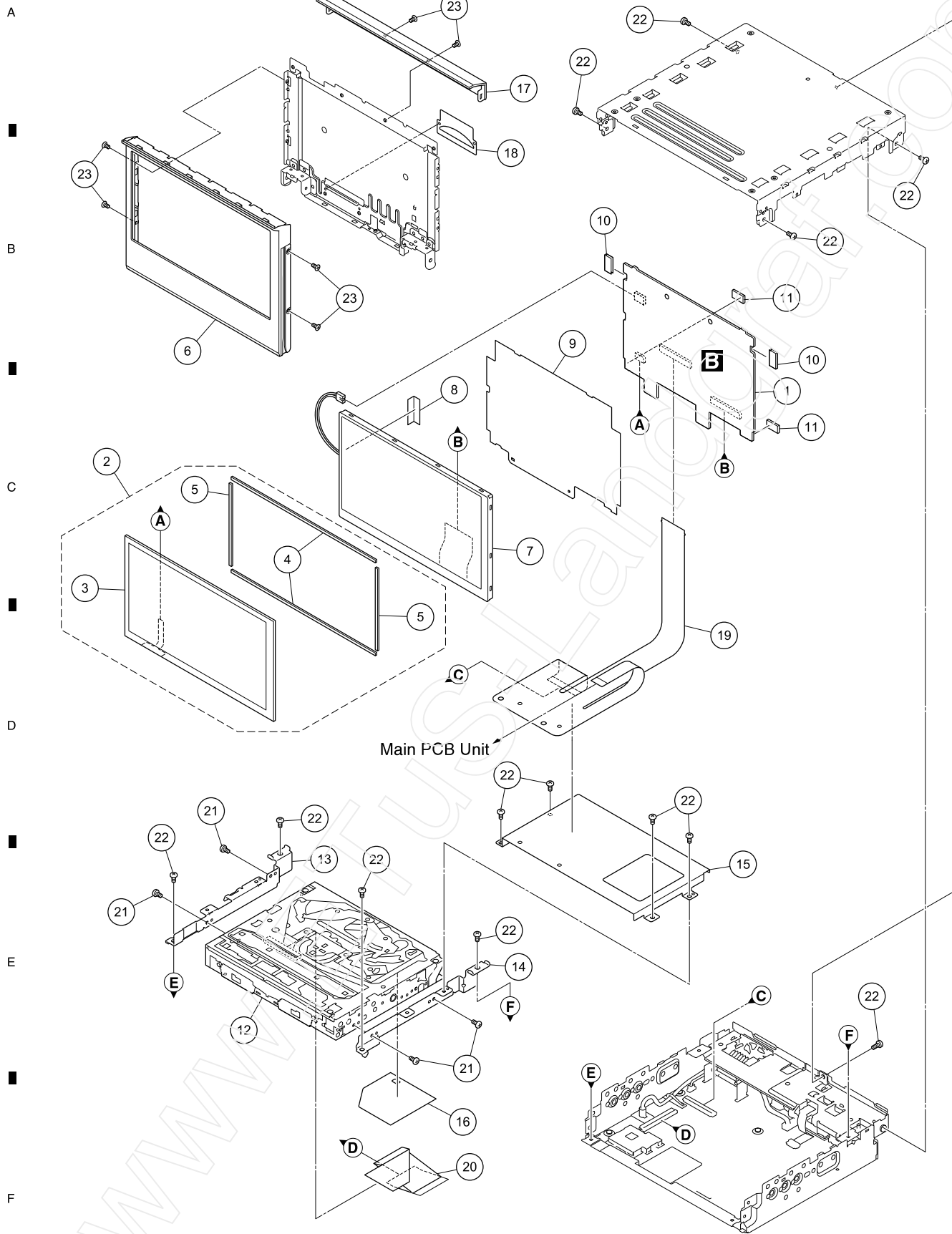


## 9.2 EXTERIOR (1)



AVH-X7700BT/XNUC

# 9.3 EXTERIOR (2)



AVH-X7700BT/XNUC

# 9.4 EXTERIOR (3)

A

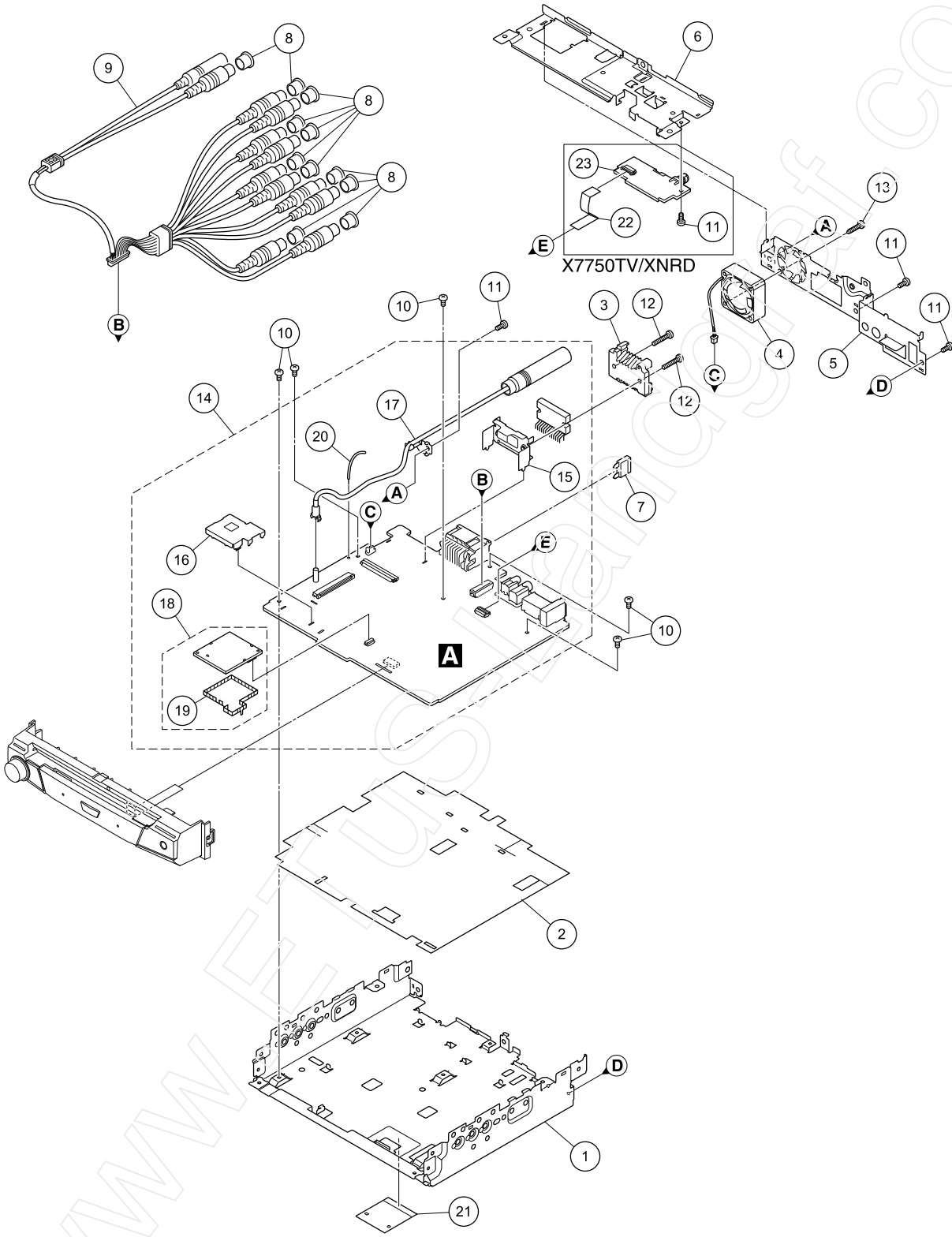
B

C

D

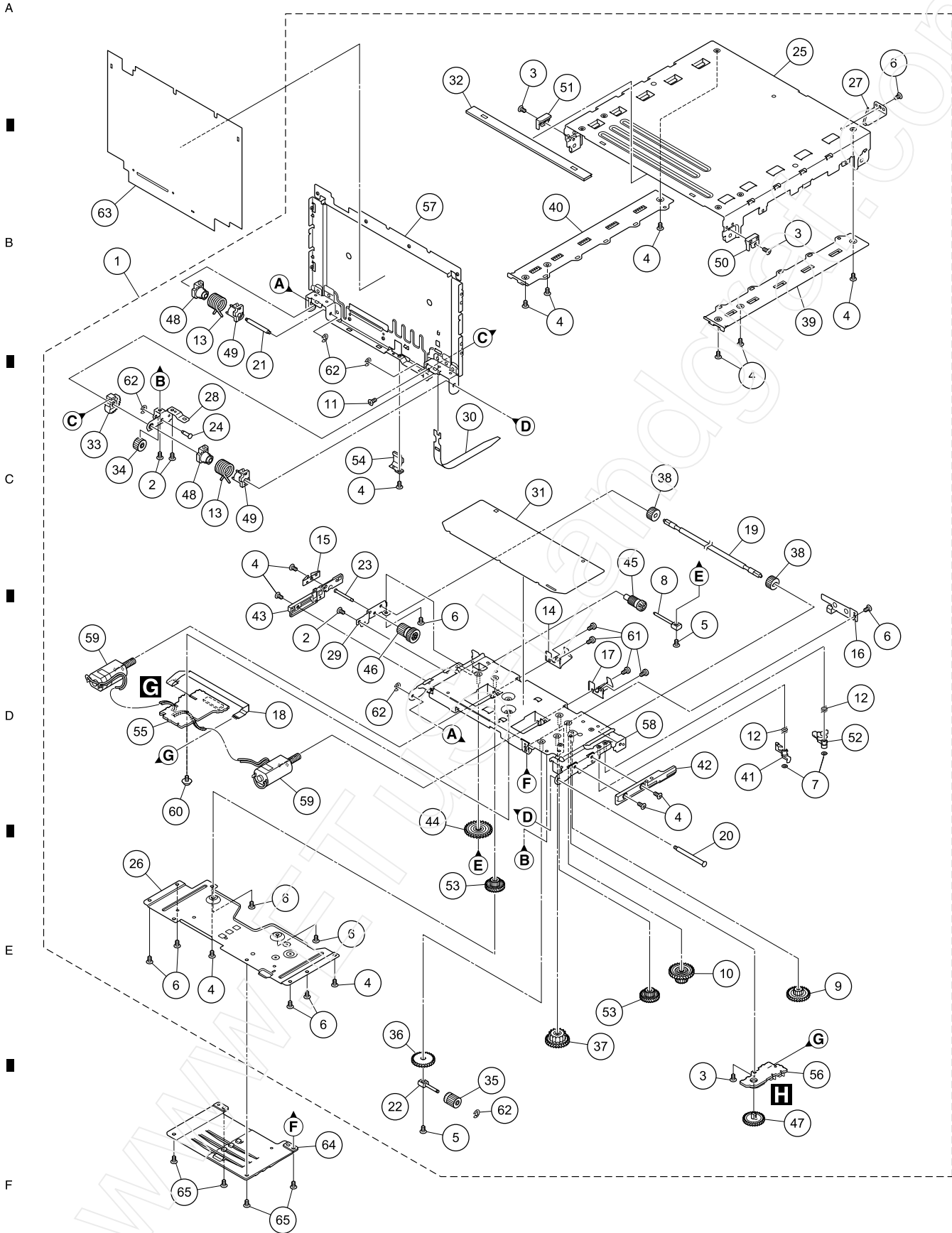
E

F



# 9.5 EXTERIOR (4)

The application position of grease is referred to page XXX and page XXX.



AVH-X7700BT/XNUC

