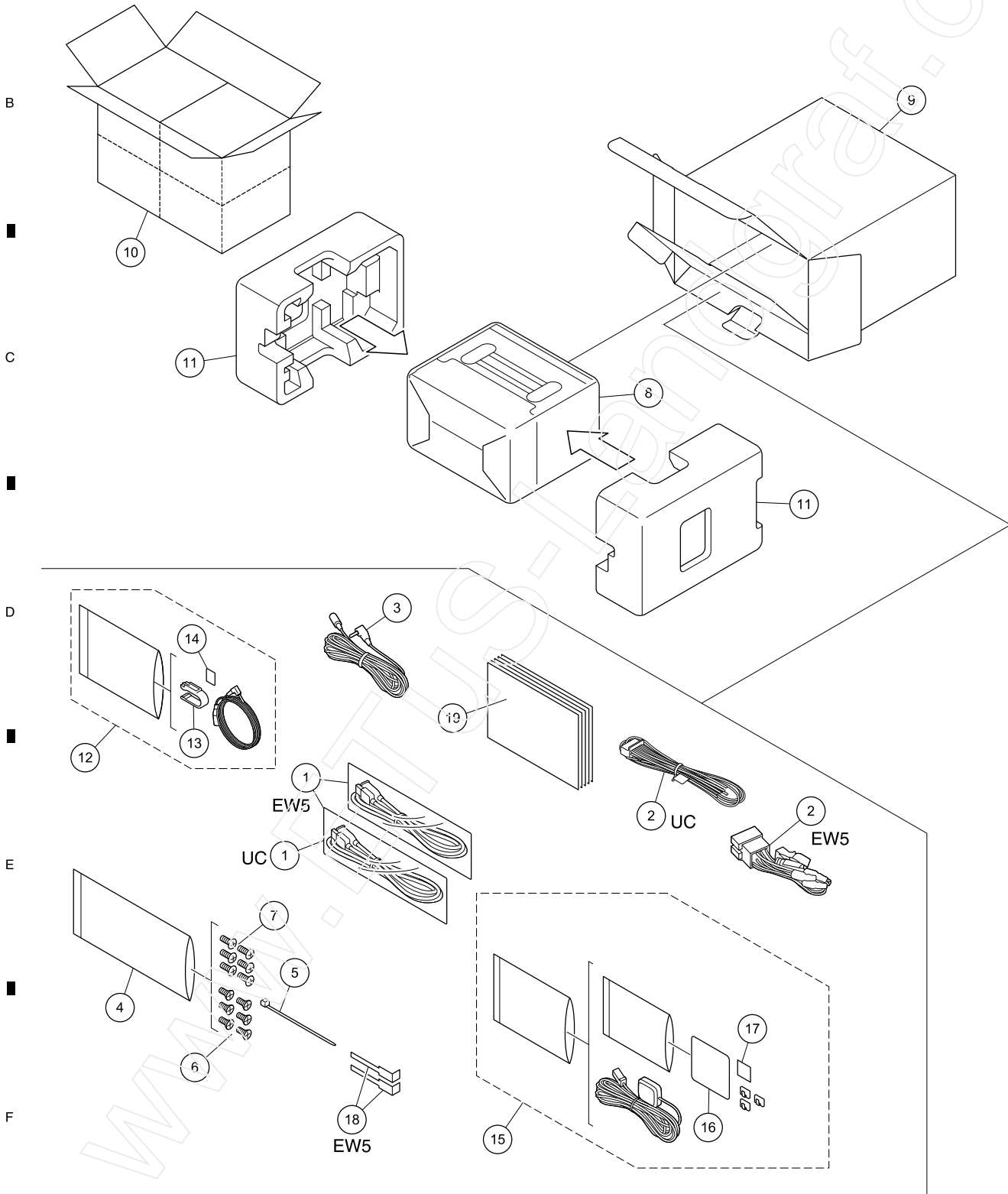


9. EXPLODED VIEWS AND PARTS LIST

- NOTES :
- Parts marked by " * " are generally unavailable because they are not in our Master Spare Parts List.
 - The \triangle mark found on some component parts indicates the importance of the safety factor of the part. Therefore, when replacing, be sure to use parts of identical designation.
 - Screw adjacent to ∇ mark on the product are used for disassembly.
 - For the applying amount of lubricants or glue, follow the instructions in this manual. (In the case of no amount instructions, apply as you think it appropriate.)

9.1 PACKING



SPH-DA120/XNUC

1 2 3 4

9.2 EXTERIOR (1)

A

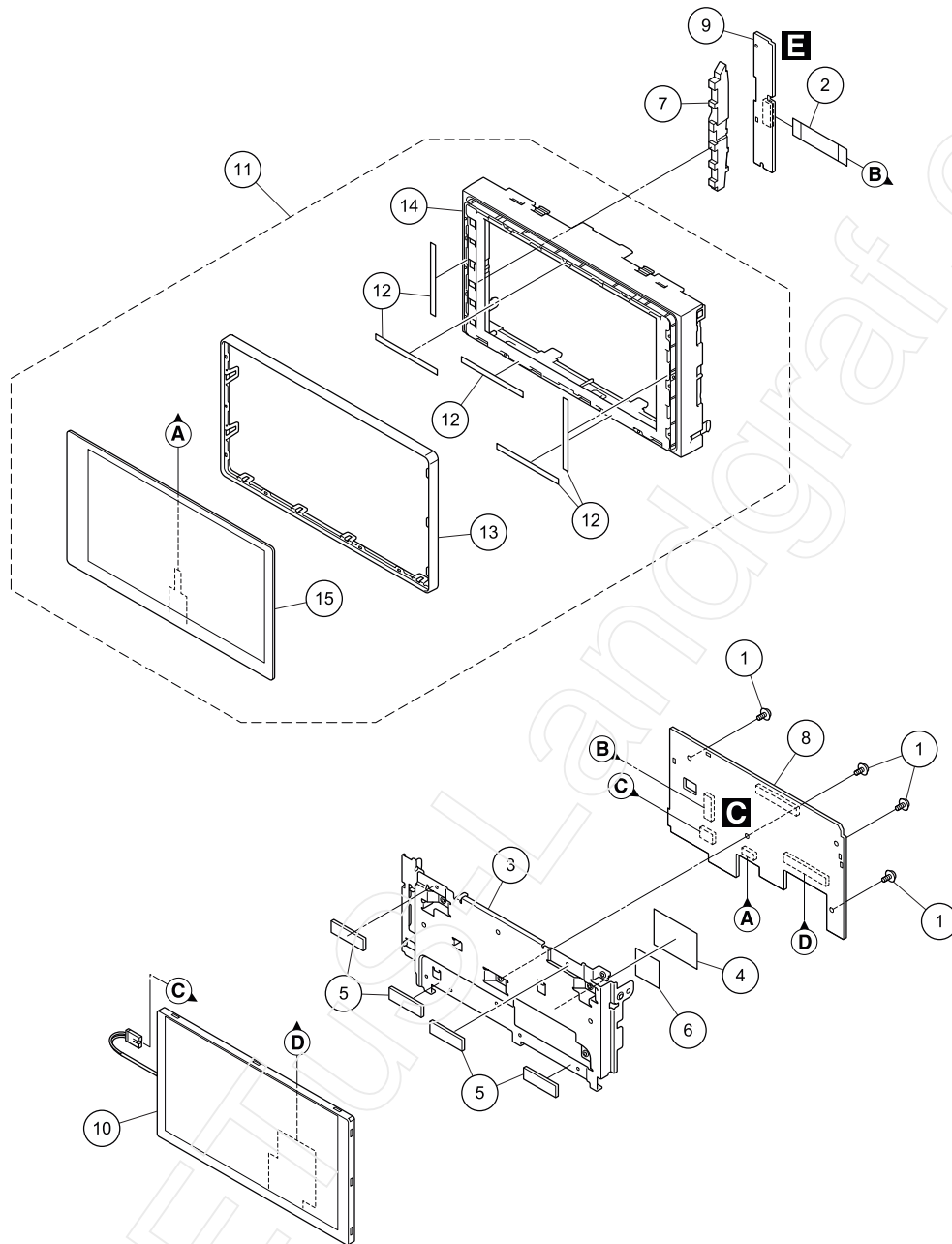
B

C

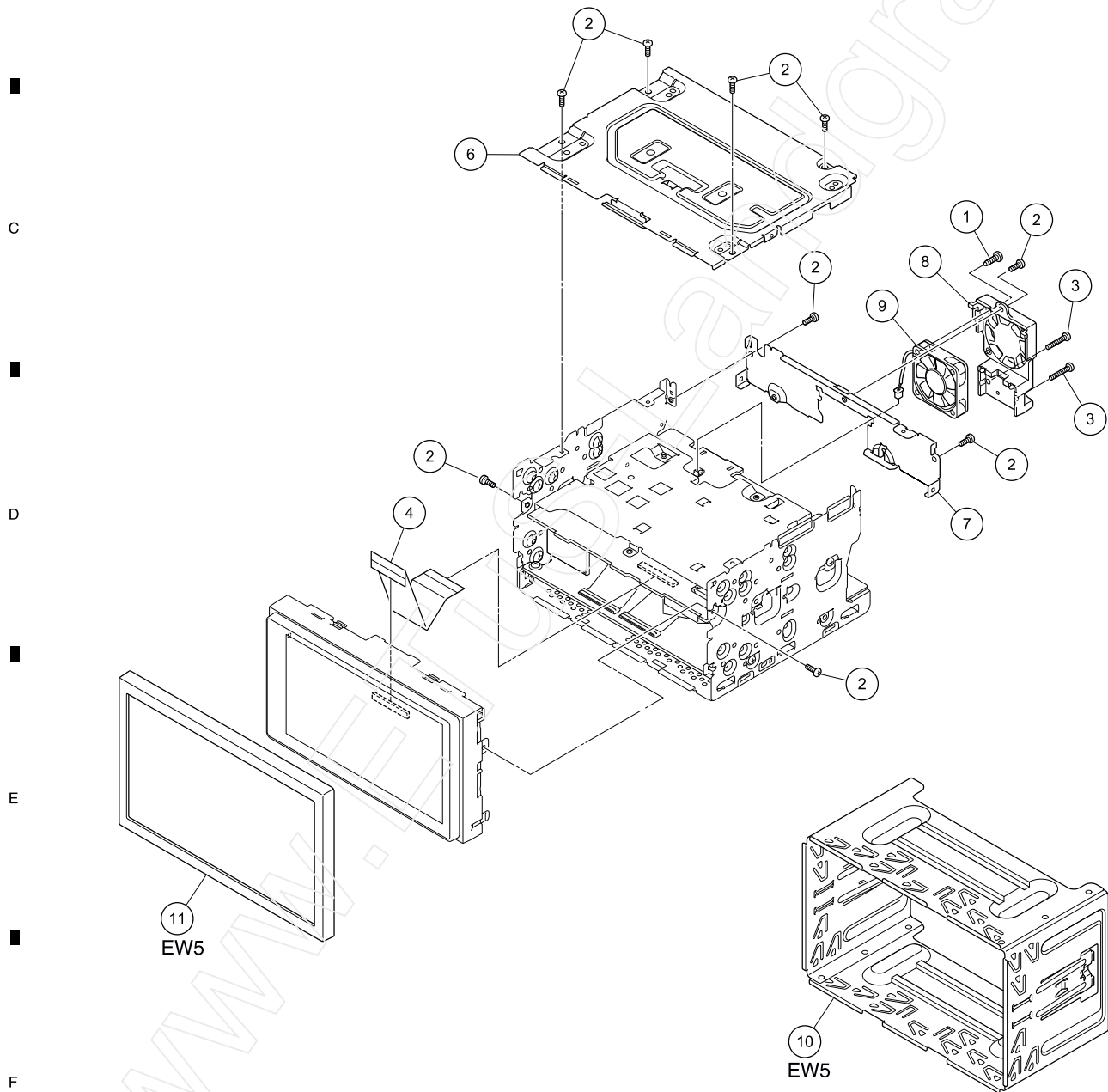
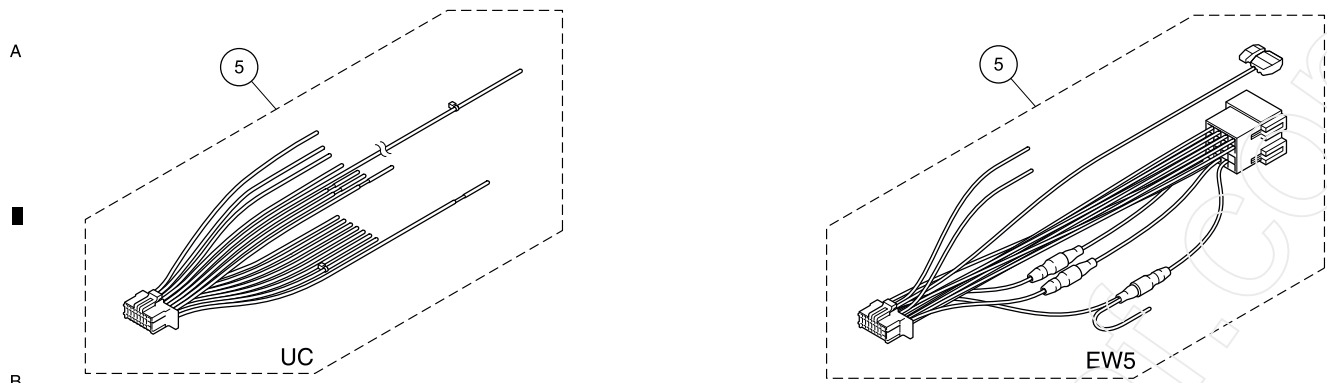
D

E

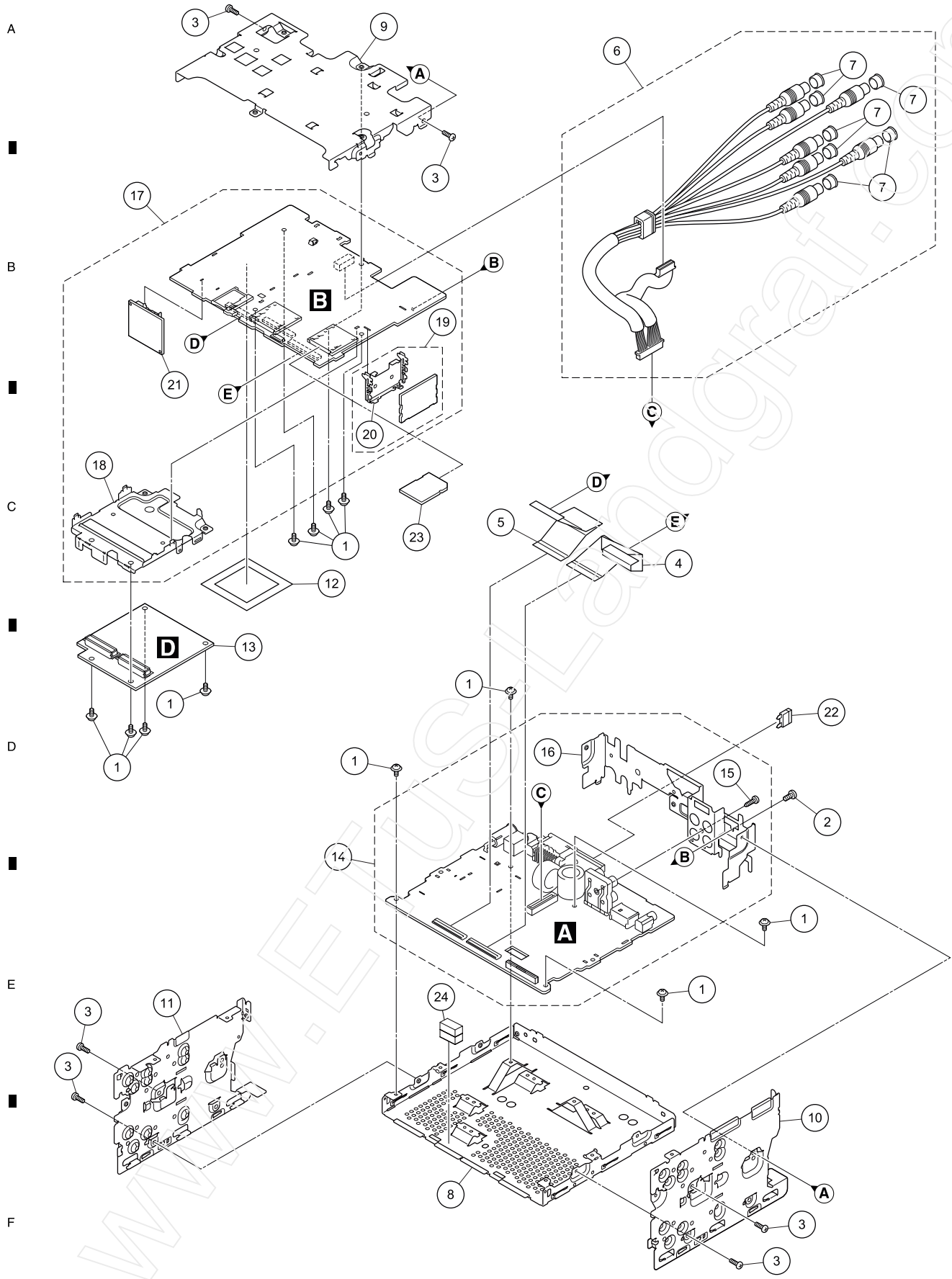
F



9.3 EXTERIOR (2)



9.4 EXTERIOR (3)



SPH-DA120/XNUC