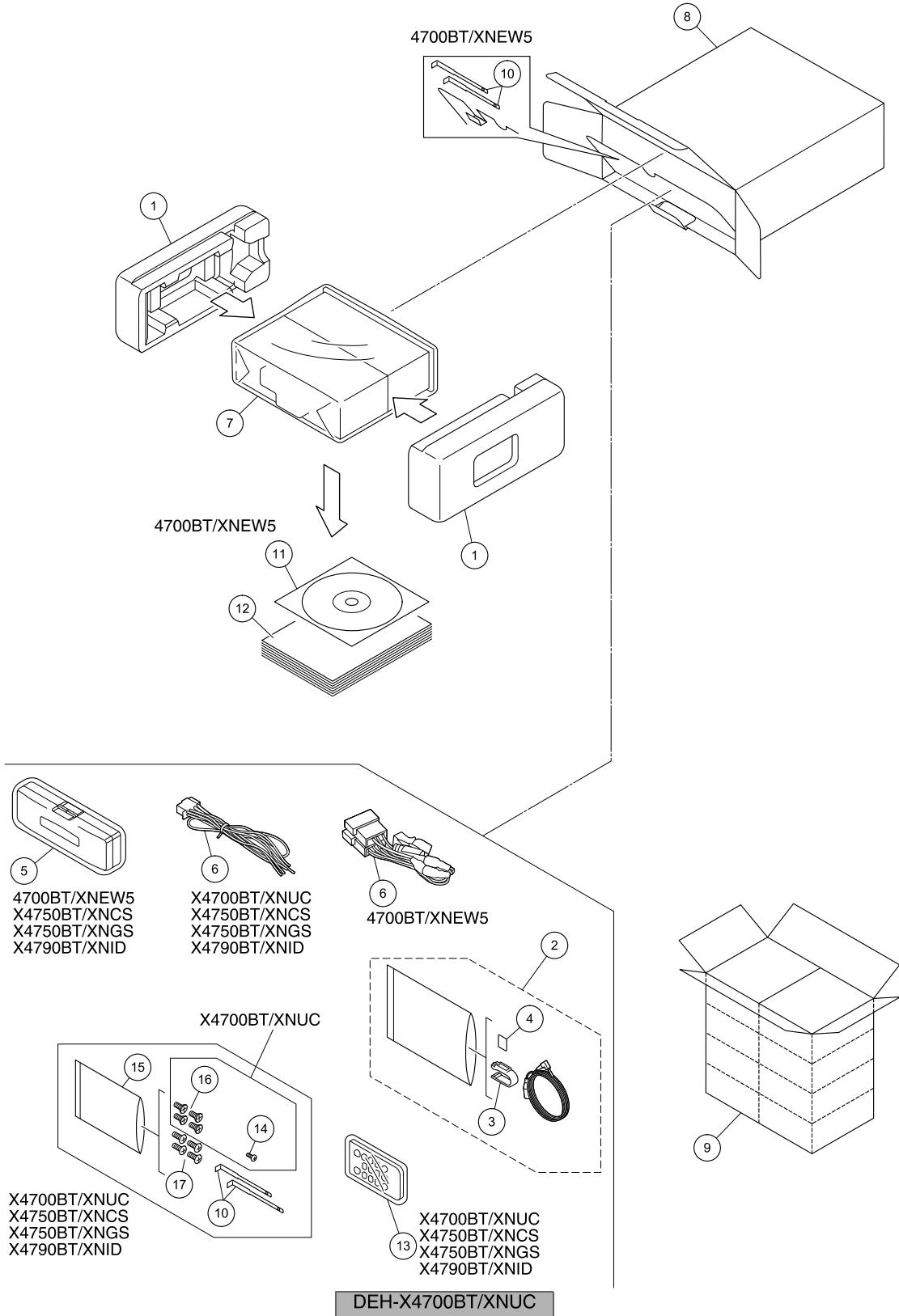


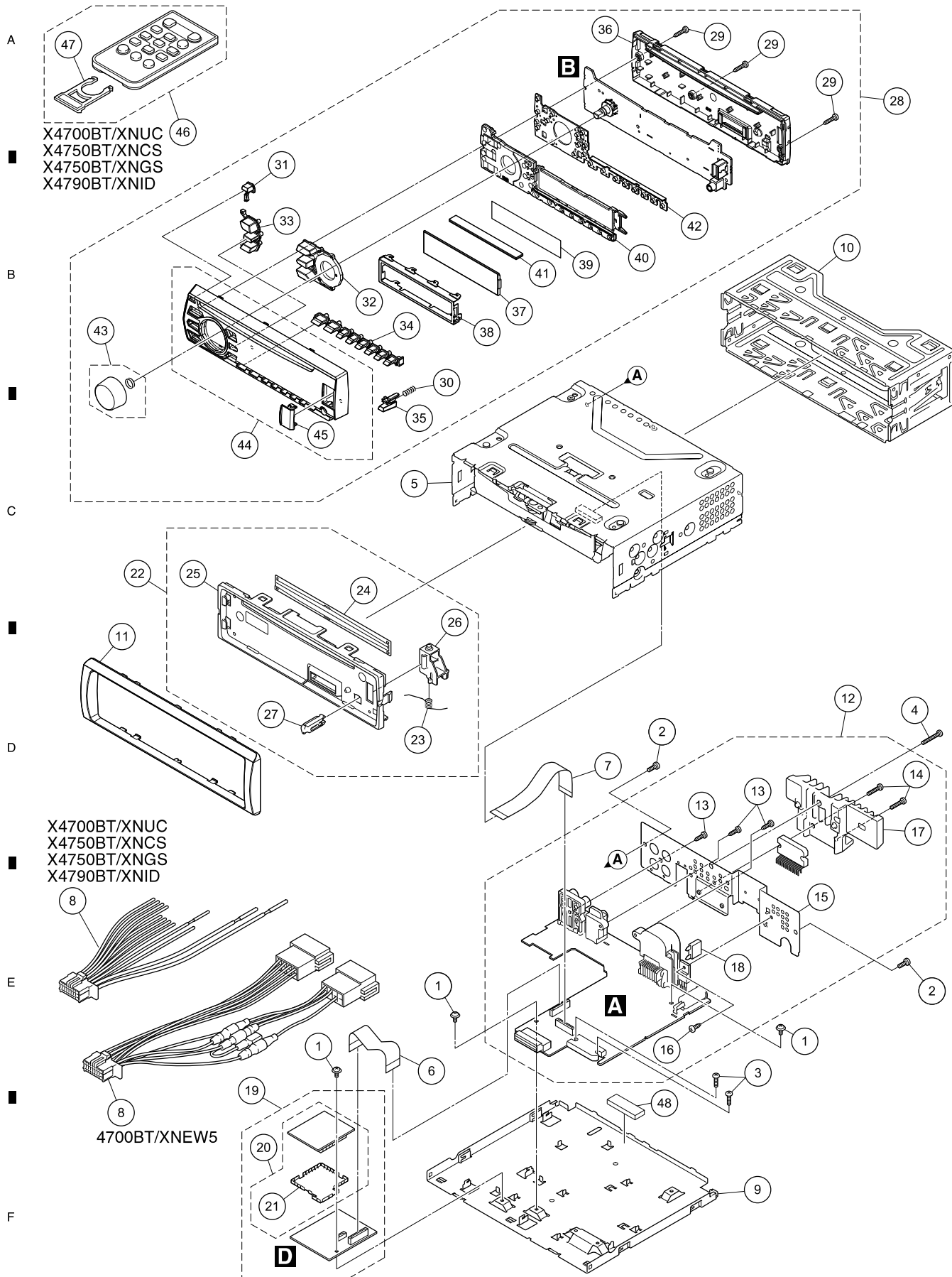
9. EXPLODED VIEWS AND PARTS LIST

- NOTES :
- Parts marked by " * " are generally unavailable because they are not in our Master Spare Parts List.
 - The \triangle mark found on some component parts indicates the importance of the safety factor of the part. Therefore, when replacing, be sure to use parts of identical designation.
 - Screw adjacent to ∇ mark on the product are used for disassembly.
 - For the applying amount of lubricants or glue, follow the instructions in this manual. (In the case of no amount instructions, apply as you think it appropriate.)

9.1 PACKING



9.2 EXTERIOR



X4700BT/XNUC
X4750BT/XNCS
X4750BT/XNGS
X4790BT/XNID

X4700BT/XNUC
X4750BT/XNCS
X4750BT/XNGS
X4790BT/XNID

4700BT/XNEW5

DEH-X4700BT/XNUC

9.3 CD MECHANISM MODULE

A

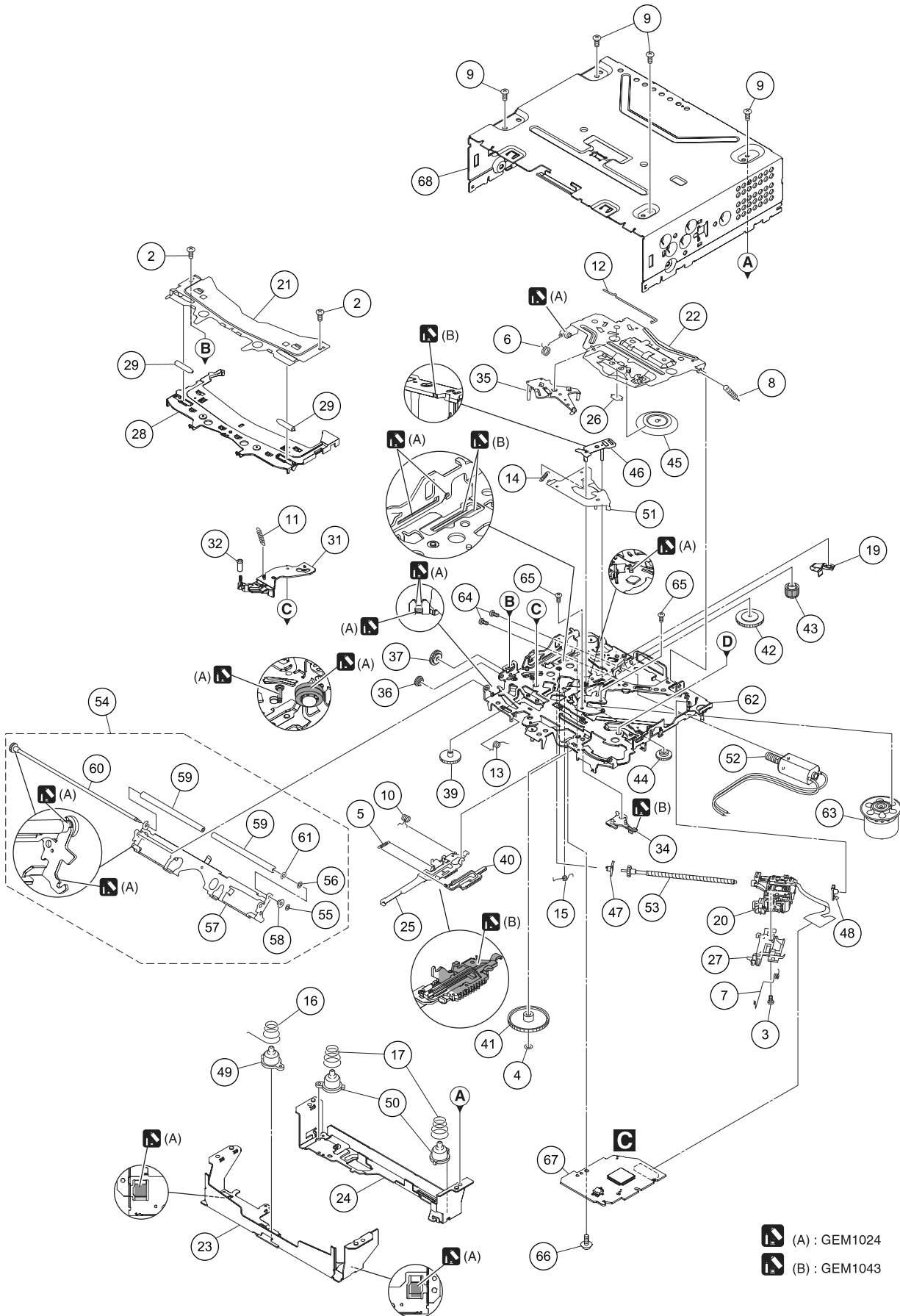
B

C

D

E

F



- (A) : GEM1024
- (B) : GEM1043

DEH-X4700BT/XNUC